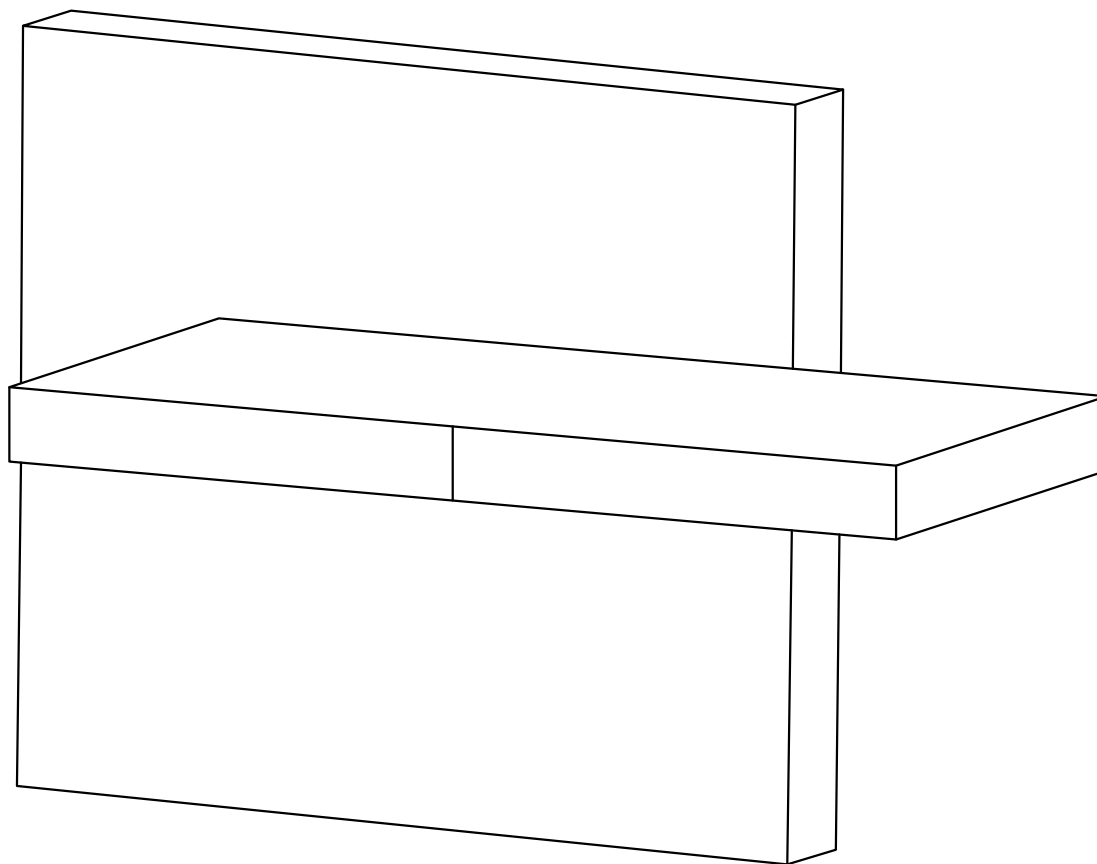


WALKER

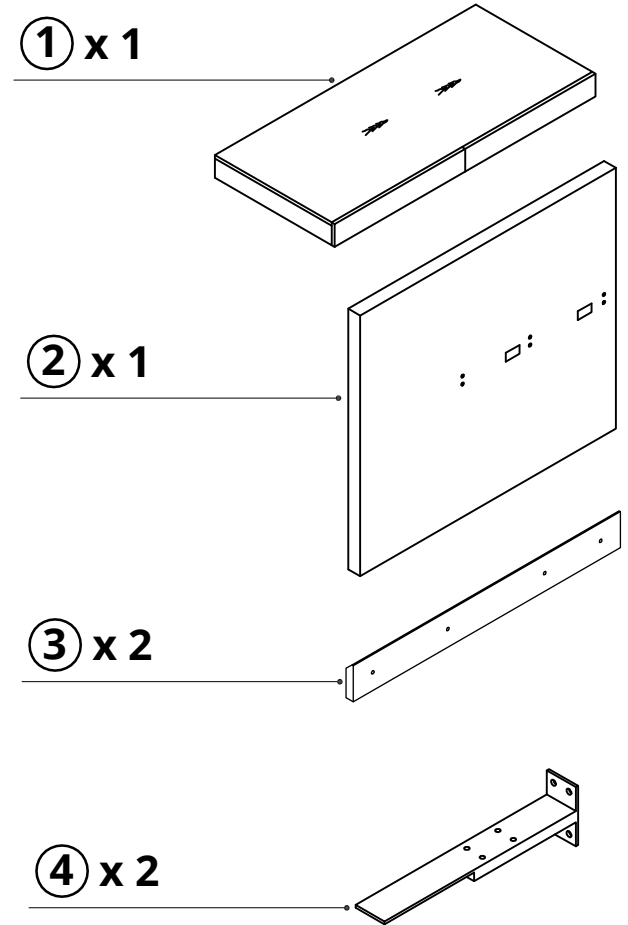
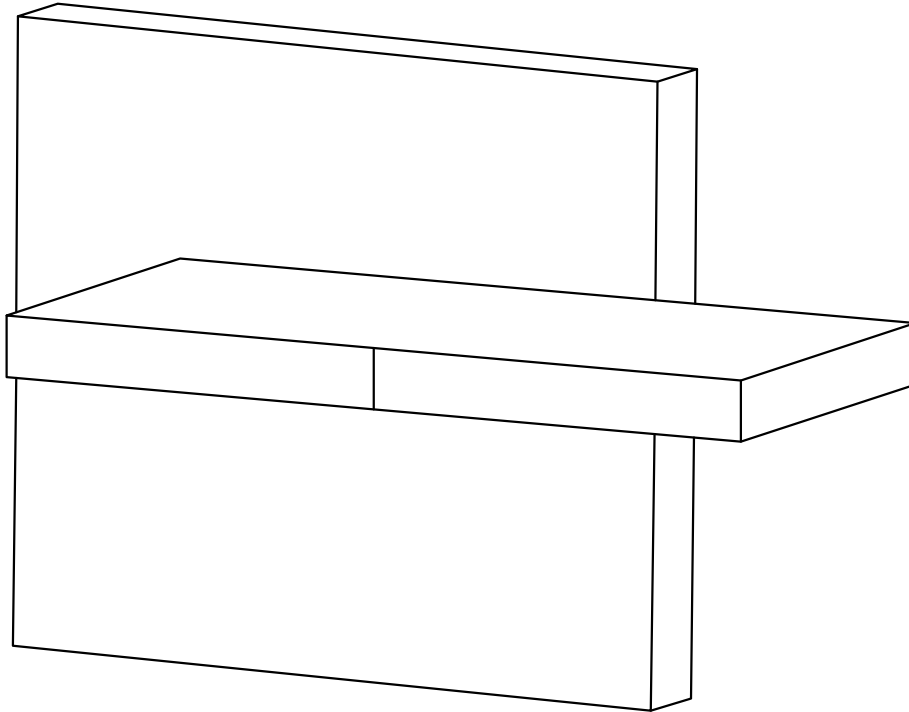




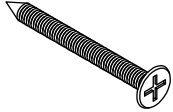
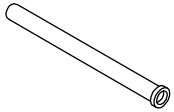

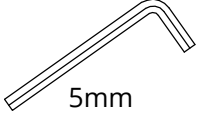
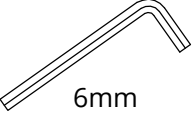
MODLOFT



ASSEMBLY INSTRUCTION WALKER MD155

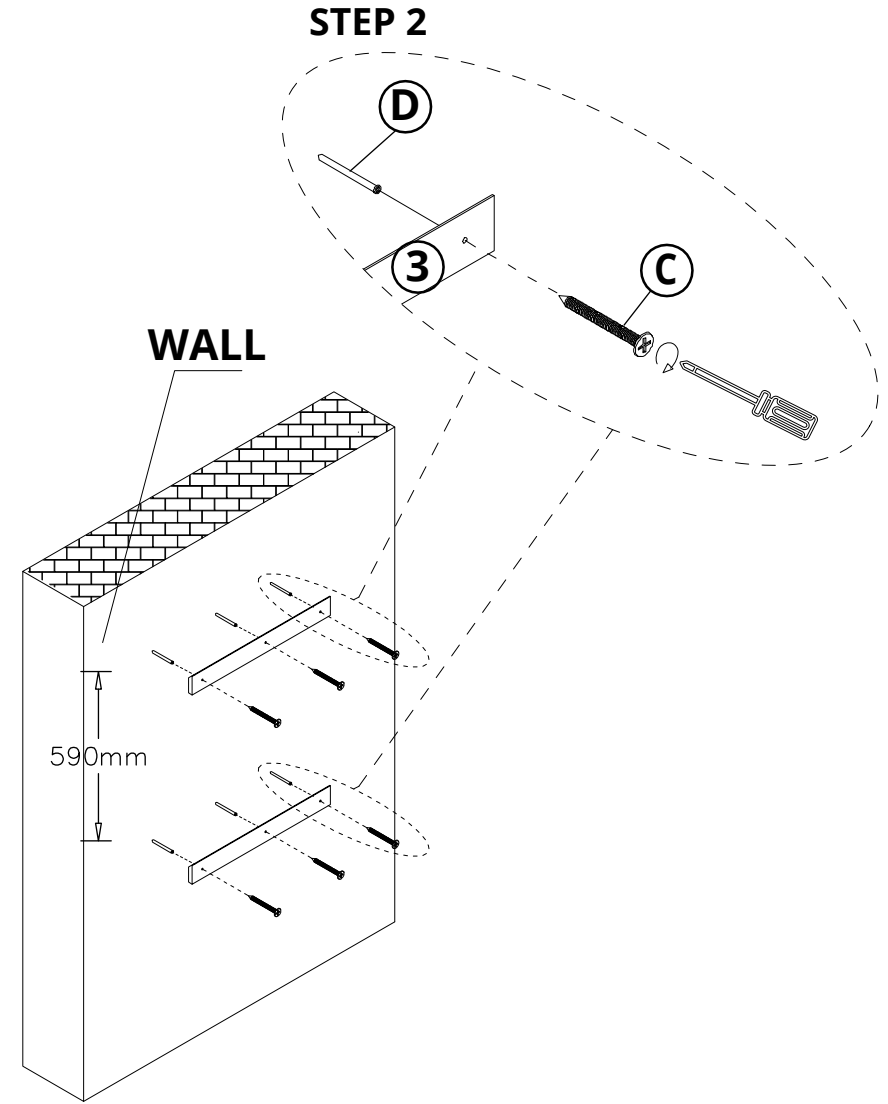
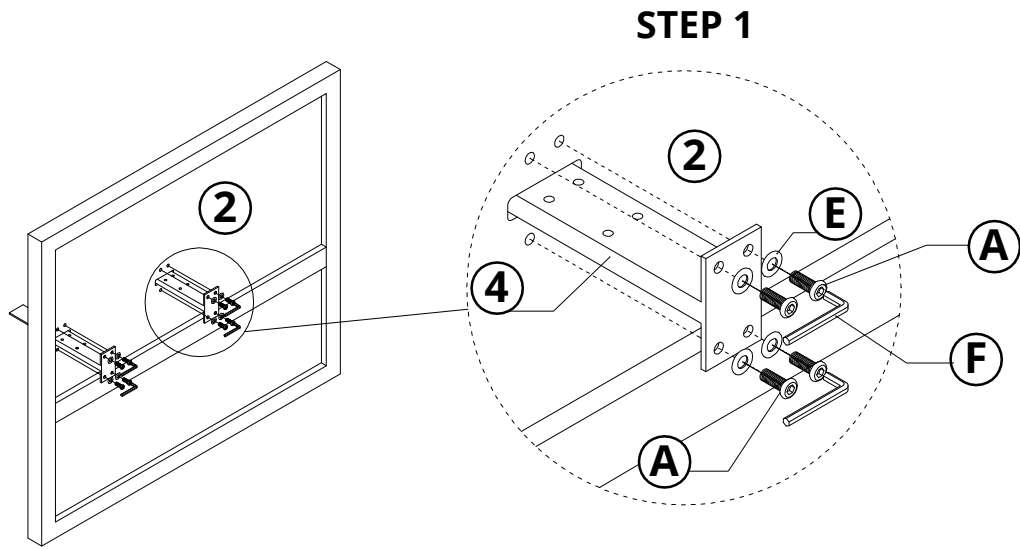
PARTS



HARDWARE					TOOL	
						
M8x30mm	M8x50mm	M4x35mm	L=40 mm	φ17xφ8x1	5mm	6mm
Ⓐ x 16	Ⓑ x 6	Ⓒ x 6	Ⓓ x 6	Ⓔ x 22	Ⓕ x 1	Ⓖ x 1



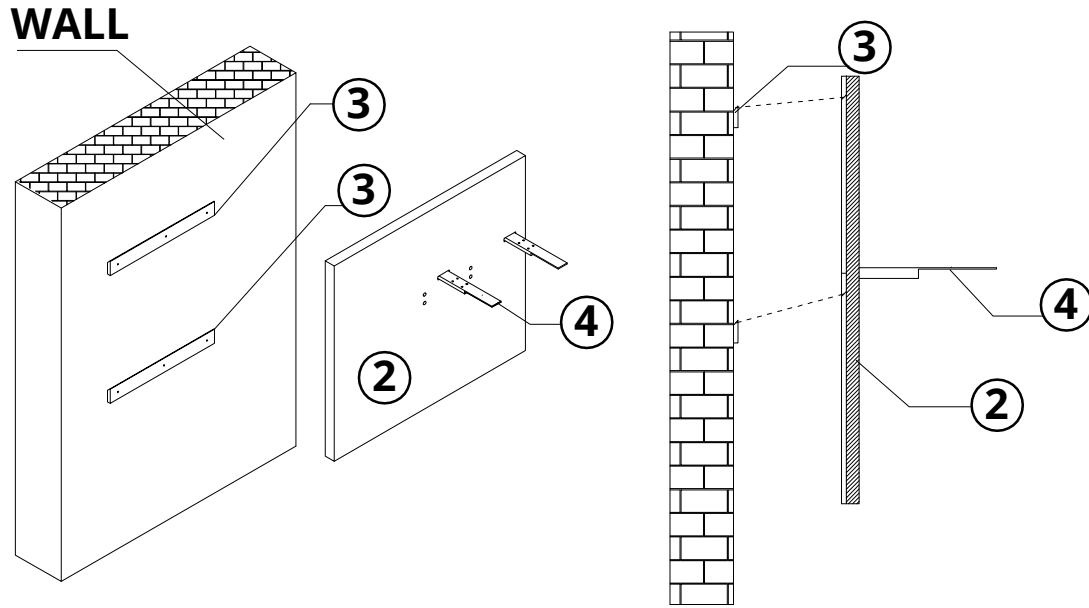
ASSEMBLY INSTRUCTION WALKER MD155



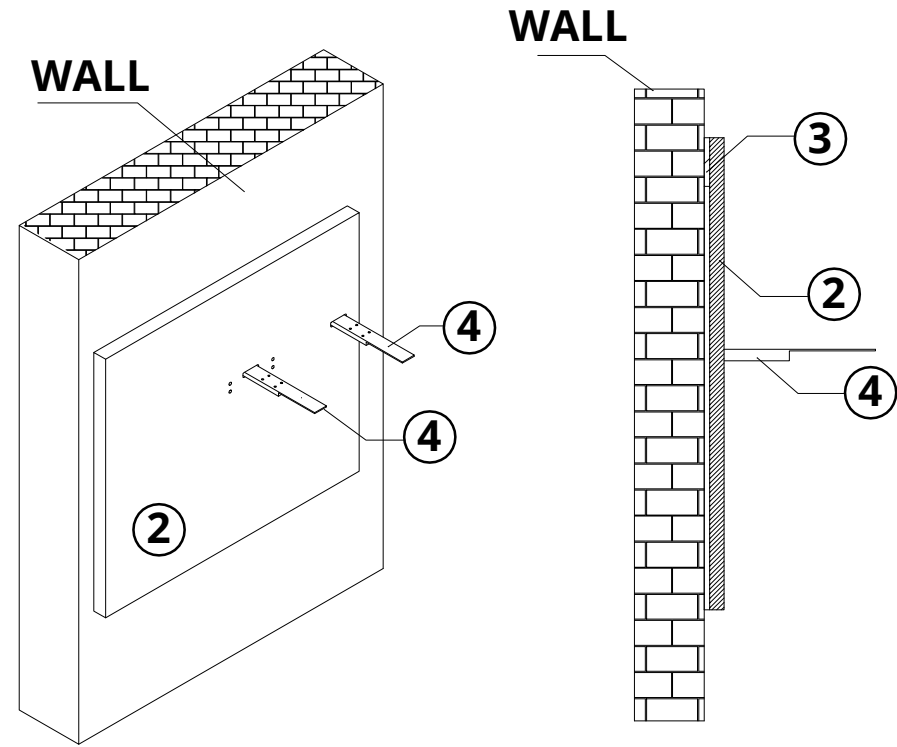


ASSEMBLY INSTRUCTION WALKER MD155

STEP 3



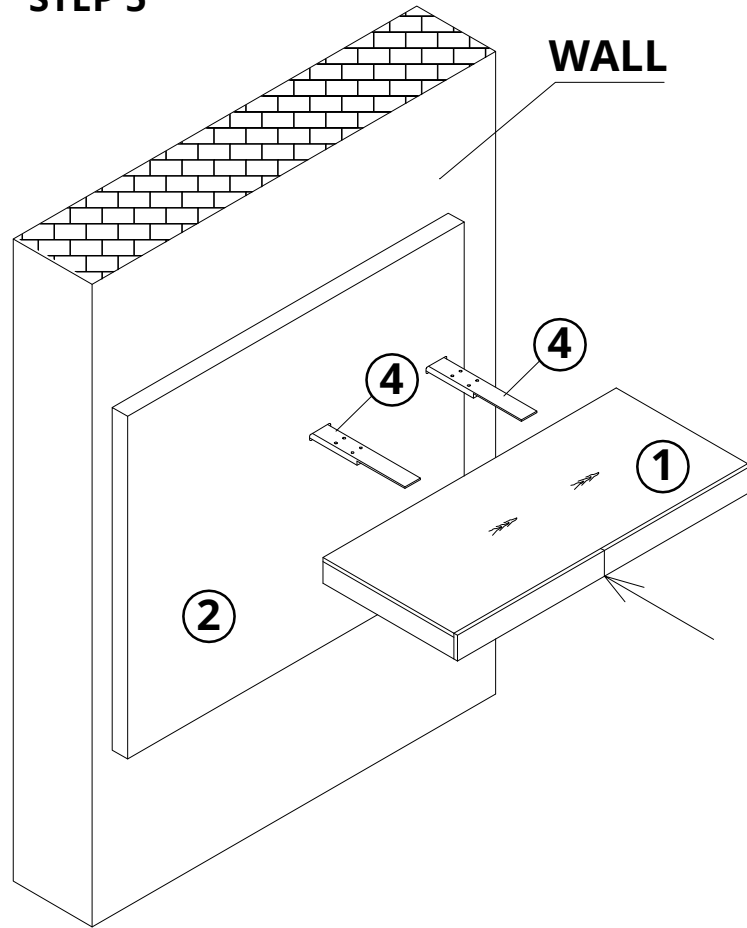
STEP 4





ASSEMBLY INSTRUCTION WALKER MD155

STEP 5



STEP 6

