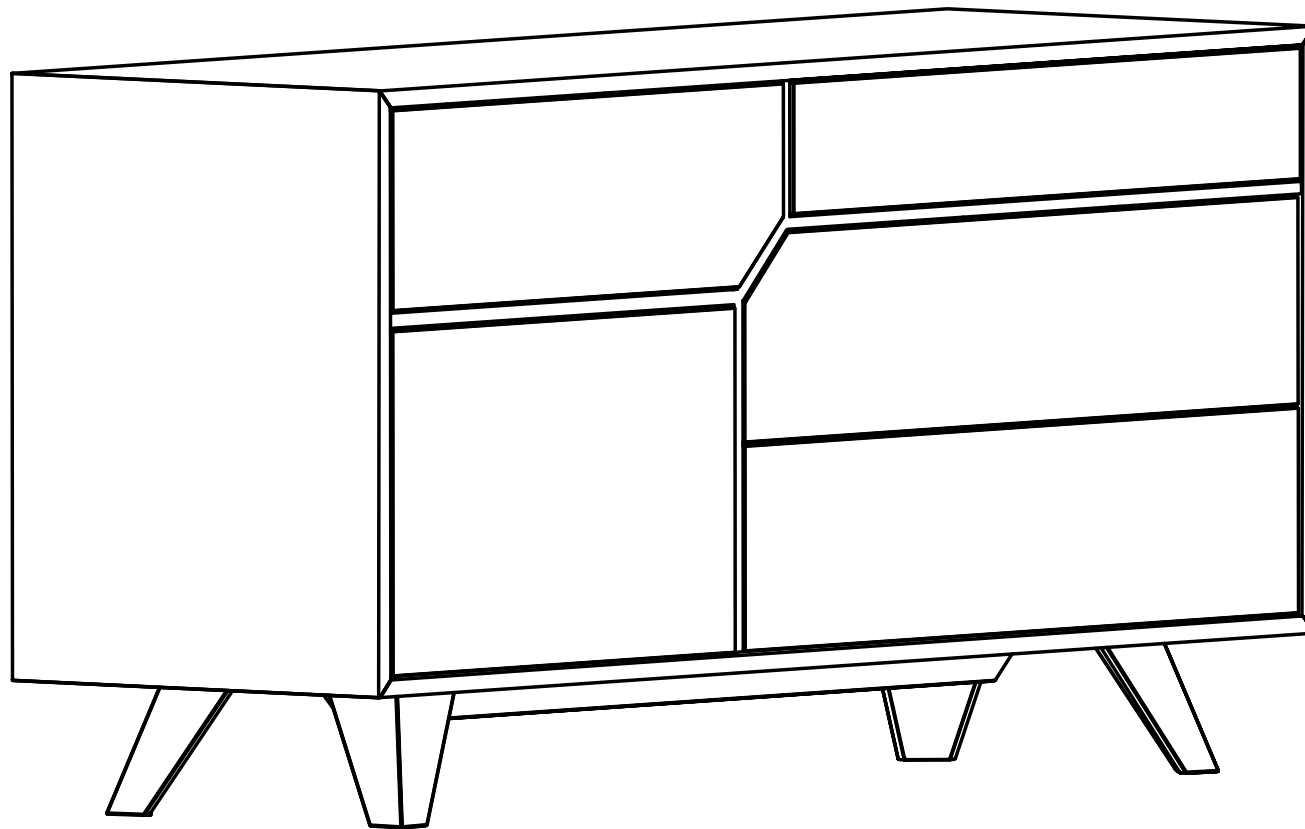


# RIVINGTON



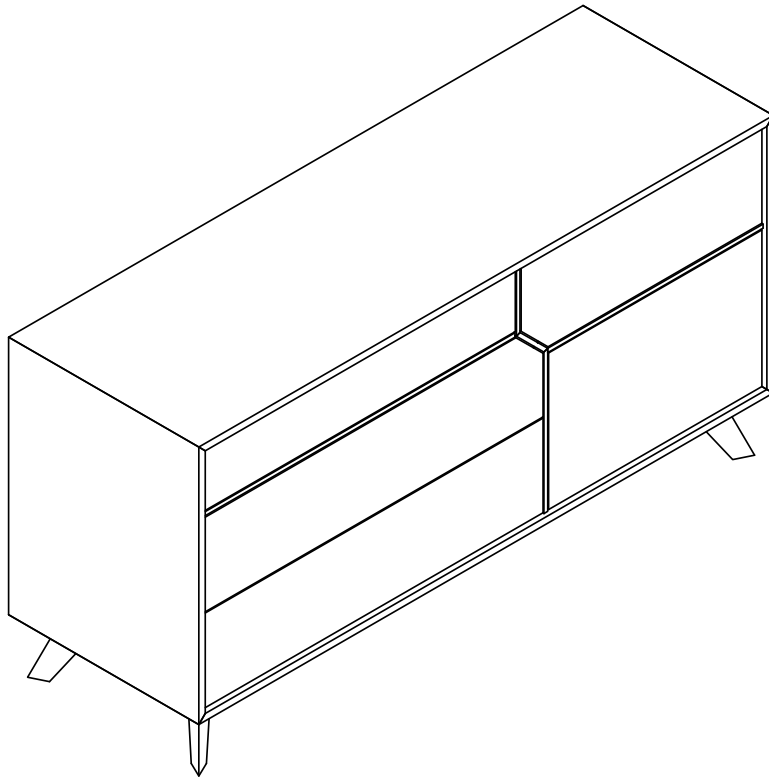
MODLOFT



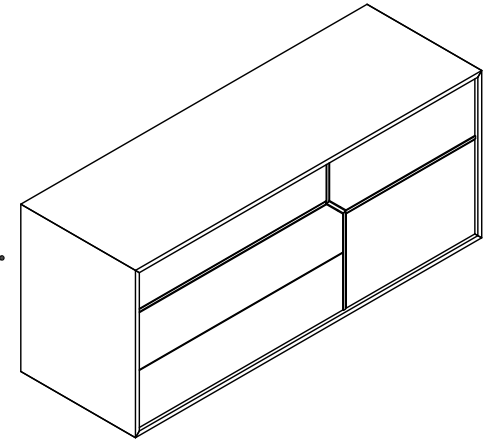
# ASSEMBLY INSTRUCTION

## RIVINGTON DE-TRI-014843

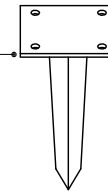
### PARTS




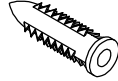





① x 1



② x 4 (Left - Right)

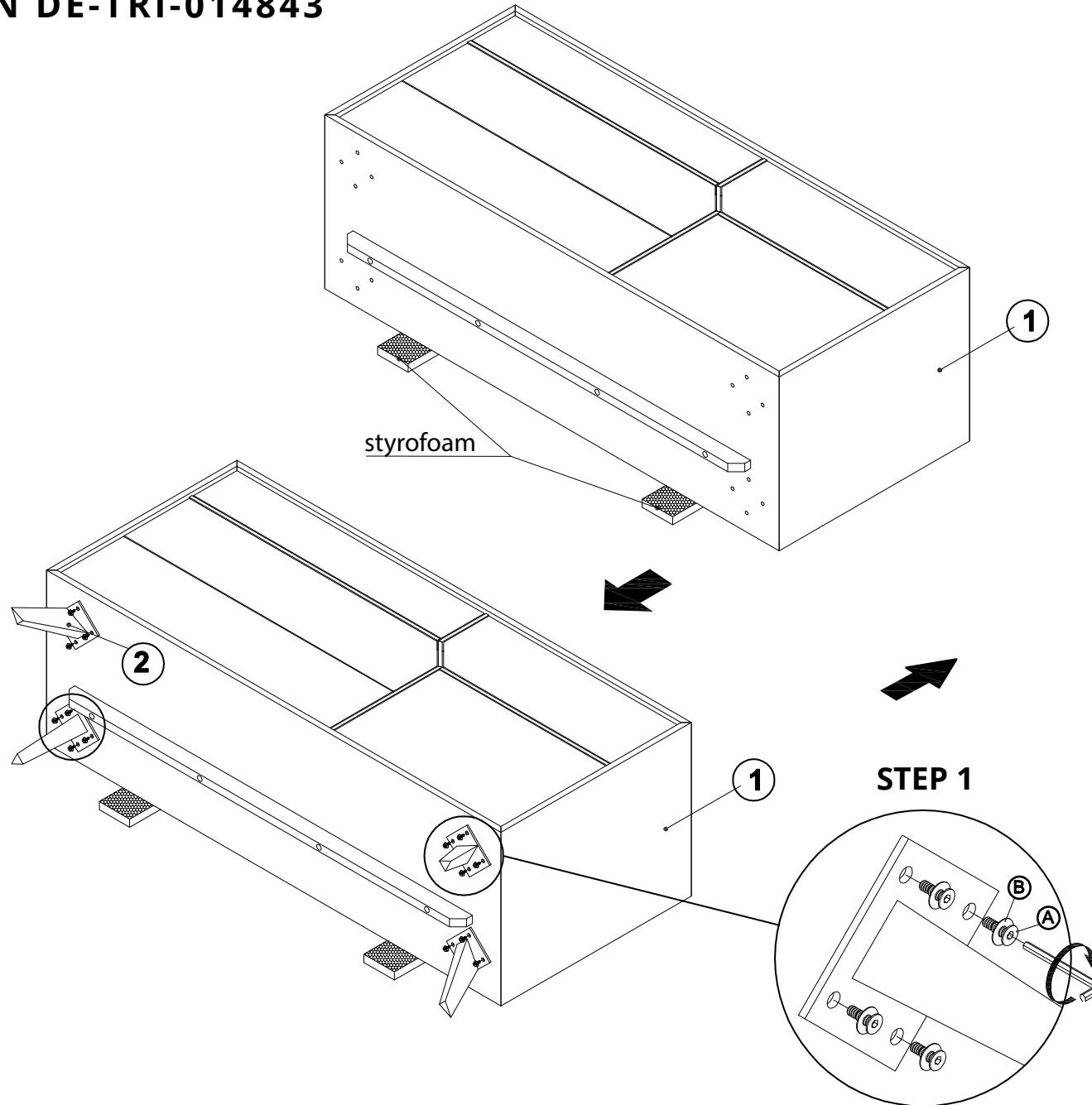


HARDWARE						TOOL
						
M8x20mm	8x20mm			M5x50mm	6x13mm	5mm
<b>Ⓐ x 17</b>	<b>Ⓑ x 11</b>	<b>Ⓒ x 1</b>	<b>Ⓓ x 1</b>	<b>Ⓔ x 1</b>	<b>Ⓕ x 1</b>	<b>Ⓖ x 1</b>



# ASSEMBLY INSTRUCTION

## RIVINGTON DE-TRI-014843





**ASSEMBLY INSTRUCTION**  
**RIVINGTON DE-TRI-014843**

**STEP 2**

