

Assembly Instructions

Read

Content:

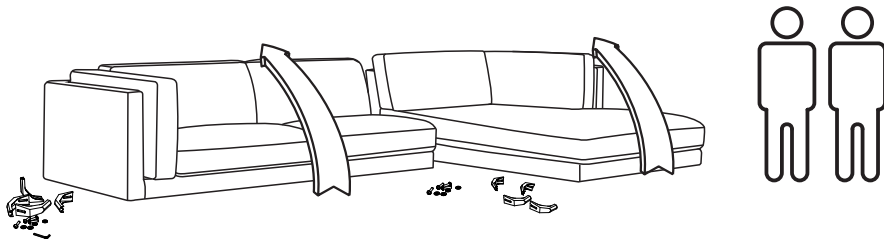
- 1 arm couch

Allen Screws 5/16"x1" 8 un.
Washer 5/16" 10 un.
Metal Feet 4 un.
Central feet 1 un.
Allen Key 1 un.

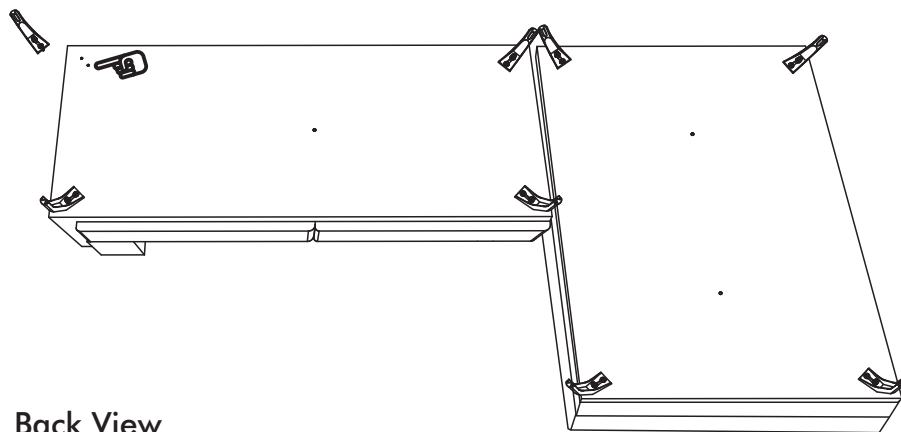
- Chaise

Allen Screws 5/16"x1" 8 un.
Washer 5/16" 10 un.
Metal Feet 4 un.
Central feet 2 un.
Allen Key 1 un.

1 - For assembly, access the underside of the product. Ask for help from someone else to do the operation.

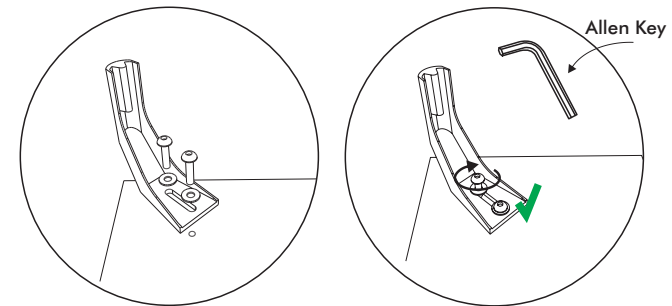


2 - Position the feet on the bottom part of the couch, adjusting the foot holes by the marked holes on the product.



Back View

3- Use the Allen Screws and allen key 5/16" (included) to attach the feet . Position on the holes first the washers then the screws. Tighten clockwise.



4 - Repeat in all screws in all feet. Tighten them firmly.



5 - Central Foot:

Screw the whole preset screw in the foot (clockwise) into the hole located centrally on the underside of the couch.

The Chaise need 2 central feet for better stability.

6 - Fitting modules

Make sure to fit the metal couplings tightly.

