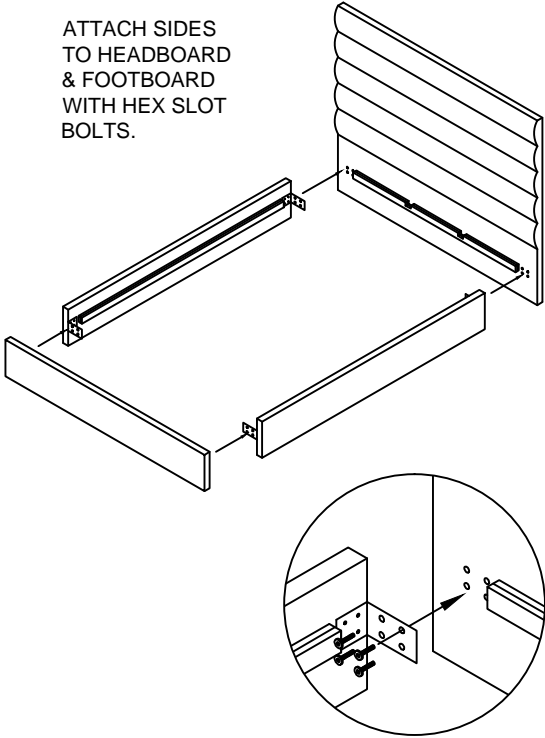


ASSEMBLY INSTRUCTIONS: PRINCE CAL KING

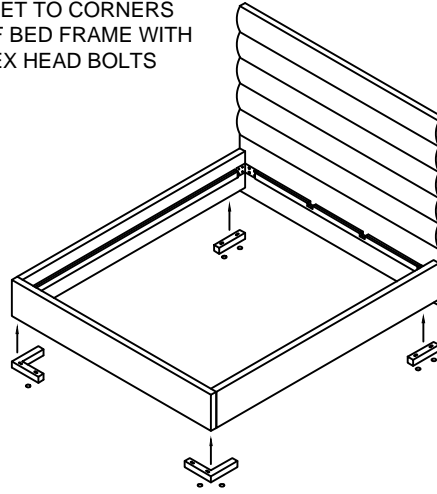
STEP 1:

ATTACH SIDES TO HEADBOARD & FOOTBOARD WITH HEX SLOT BOLTS.

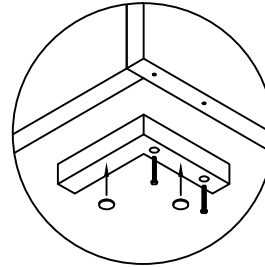


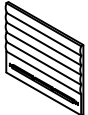

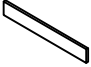
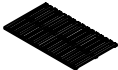


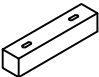
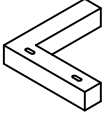



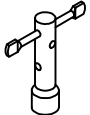

STEP 2:

ATTACH METAL FEET TO CORNERS OF BED FRAME WITH HEX HEAD BOLTS



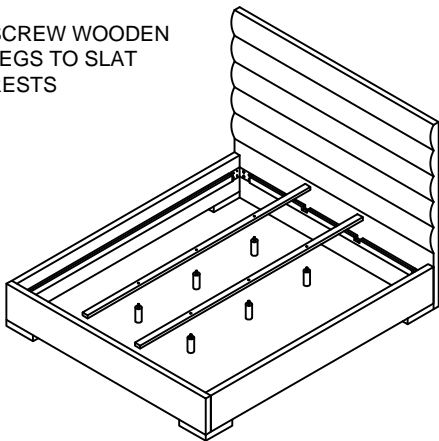
ATTACH FELT PADS TO BOTTOM OF METAL FEET



	HEAD BOARD: 1 PCS
	SIDES: 2 PCS
	FOOT BOARD: 1 PCS
	SLATS: 2 PCS
	SLAT RESTS: 2 PCS
	WOODEN LEGS: 6 PCS
	BACK METAL FEET: 2 PCS
	FRONT METAL FEET: 2 PCS
	ADHESIVE FELT PADS: 8 PCS
	L-SHAPED WRENCH: 1 PCS
	HEX SLOT BOLTS: 16 PCS
	T-SHAPED WRENCH: 1 PCS
	HEX HEAD BOLTS: 8 PCS

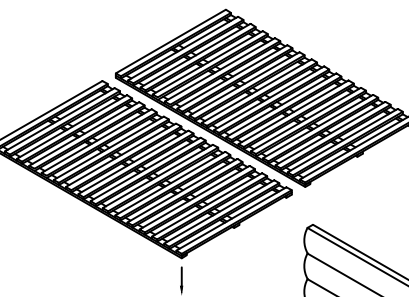
STEP 3:

SCREW WOODEN LEGS TO SLAT RESTS

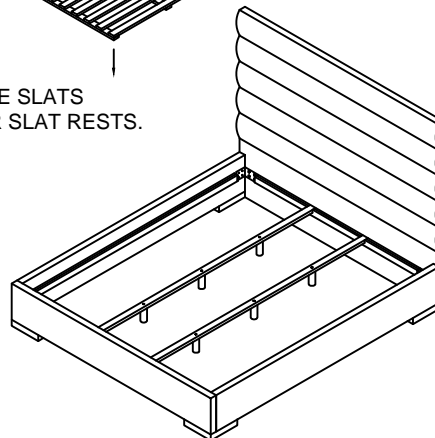


PLACE SLAT RESTS ONTO GROOVES ON HEADBOARD AND FOOTBOARD

STEP 4:



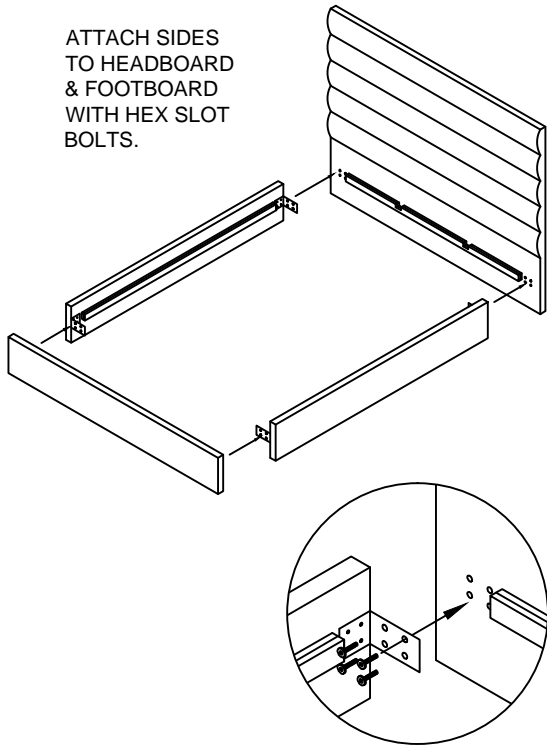
PLACE SLATS OVER SLAT RESTS.



ASSEMBLY INSTRUCTIONS: PRINCE KING

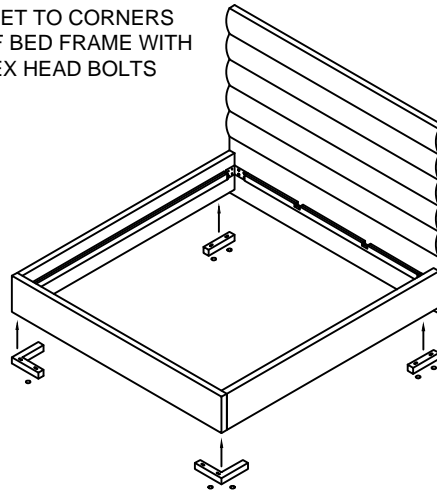
STEP 1:

ATTACH SIDES TO HEADBOARD & FOOTBOARD WITH HEX SLOT BOLTS.

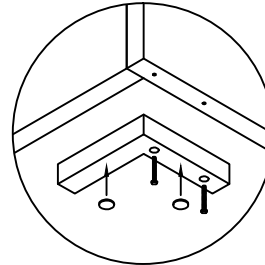


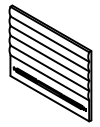
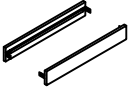
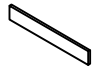
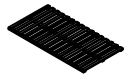

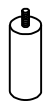
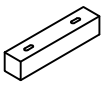
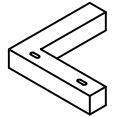


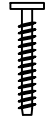
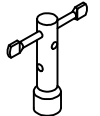

STEP 2:

ATTACH METAL FEET TO CORNERS OF BED FRAME WITH HEX HEAD BOLTS



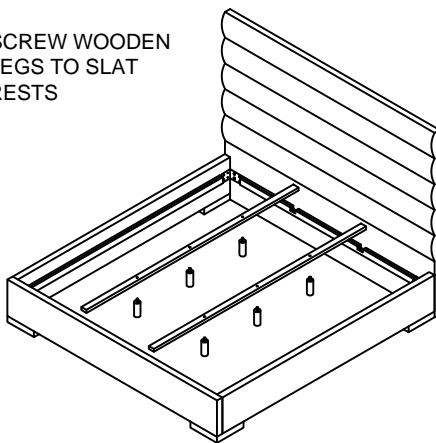
ATTACH FELT PADS TO BOTTOM OF METAL FEET



	HEAD BOARD: 1 PCS
	SIDES: 2 PCS
	FOOT BOARD: 1 PCS
	SLATS: 2 PCS
	SLAT RESTS: 2 PCS
	WOODEN LEGS: 6 PCS
	BACK METAL FEET: 2 PCS
	FRONT METAL FEET: 2 PCS
	ADHESIVE FELT PADS: 8 PCS
	L-SHAPED WRENCH: 1 PCS
	HEX SLOT BOLTS: 16 PCS
	T-SHAPED WRENCH: 1 PCS
	HEX HEAD BOLTS: 8 PCS

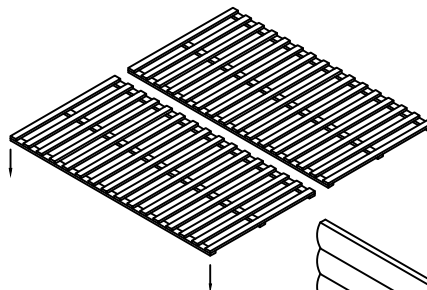
STEP 3:

SCREW WOODEN LEGS TO SLAT RESTS

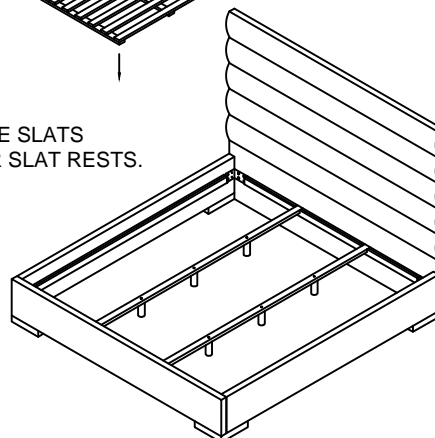


PLACE SLAT RESTS ONTO GROOVES ON HEADBOARD AND FOOTBOARD

STEP 4:



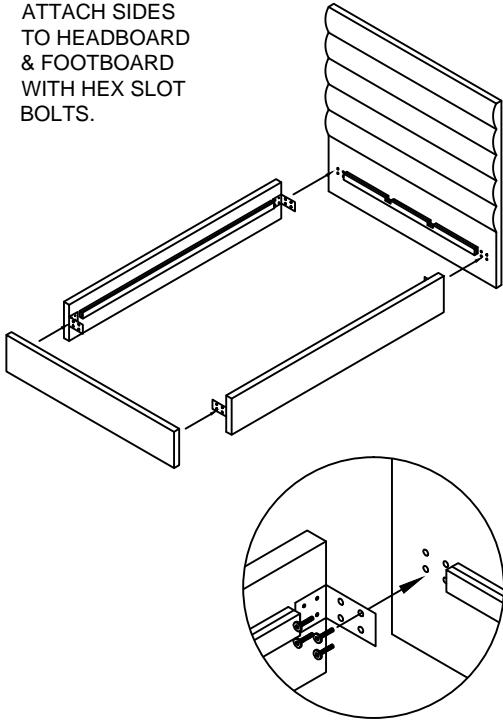
PLACE SLATS OVER SLAT RESTS.



ASSEMBLY INSTRUCTIONS: PRINCE QUEEN

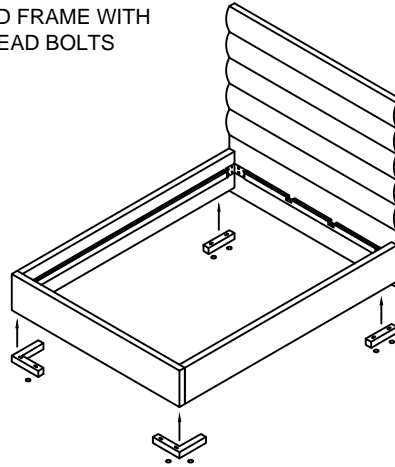
STEP 1:

ATTACH SIDES TO HEADBOARD & FOOTBOARD WITH HEX SLOT BOLTS.

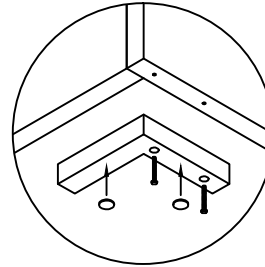


STEP 2:

ATTACH METAL FEET TO CORNERS OF BED FRAME WITH HEX HEAD BOLTS

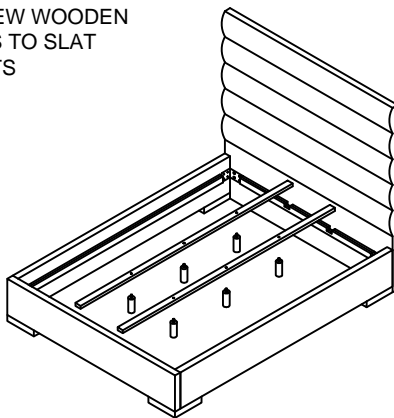


ATTACH FELT PADS TO BOTTOM OF METAL FEET



STEP 3:

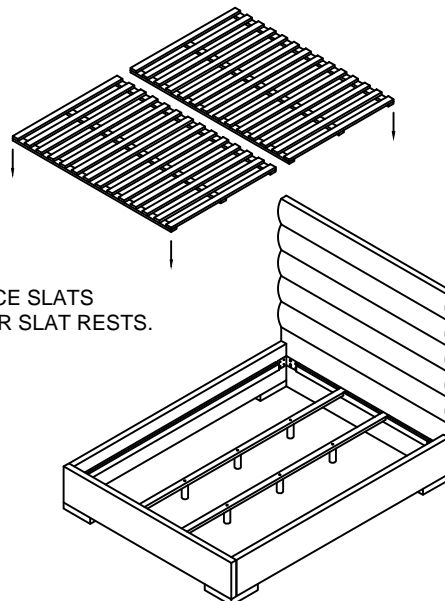
SCREW WOODEN LEGS TO SLAT RESTS



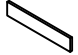
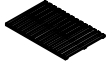


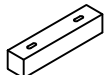
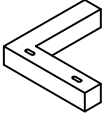



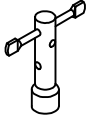
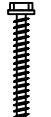


PLACE SLAT RESTS ONTO GROOVES ON HEADBOARD AND FOOTBOARD

STEP 4:

PLACE SLATS OVER SLAT RESTS.

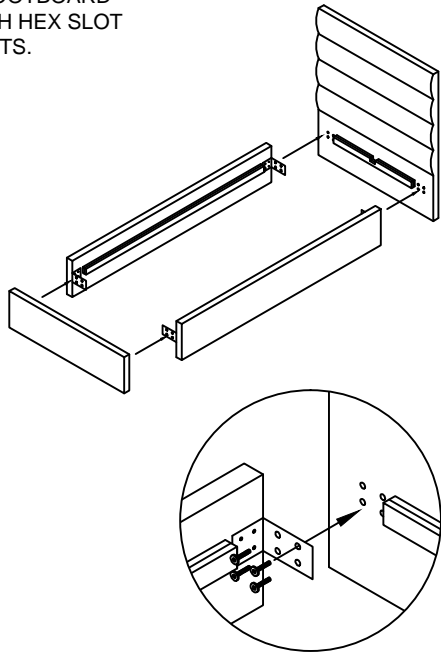


	HEAD BOARD: 1 PCS
	SIDES: 2 PCS
	FOOT BOARD: 1 PCS
	SLATS: 2 PCS
	SLAT RESTS: 2 PCS
	WOODEN LEGS: 6 PCS
	BACK METAL FEET: 2 PCS
	FRONT METAL FEET: 2 PCS
	ADHESIVE FELT PADS: 8 PCS
	L-SHAPED WRENCH: 1 PCS
	HEX SLOT BOLTS: 16 PCS
	T-SHAPED WRENCH: 1 PCS
	HEX HEAD BOLTS: 8 PCS

ASSEMBLY INSTRUCTIONS: PRINCE TWIN

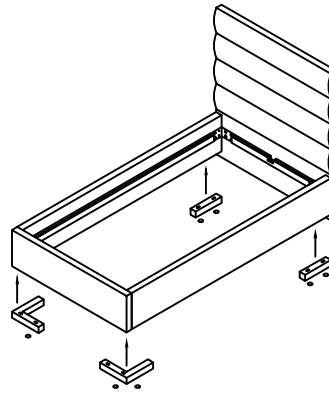
STEP 1:

ATTACH SIDES TO HEADBOARD & FOOTBOARD WITH HEX SLOT BOLTS.

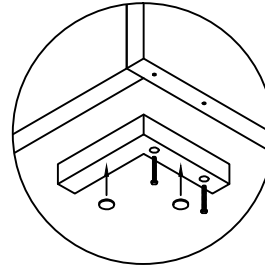


STEP 2:

ATTACH METAL FEET TO CORNERS OF BED FRAME WITH HEX HEAD BOLTS

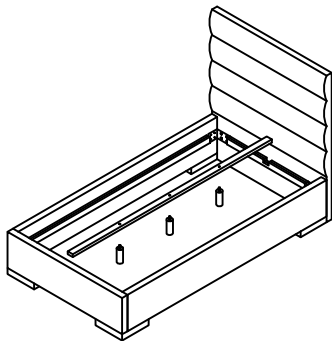


ATTACH FELT PADS TO BOTTOM OF METAL FEET



STEP 3:

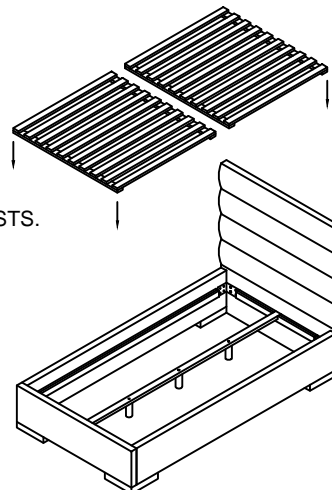
SCREW WOODEN LEGS TO SLAT REST


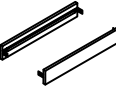
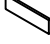
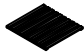

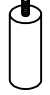
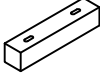
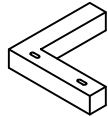


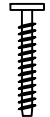
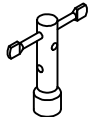



PLACE SLAT REST ONTO GROOVES ON HEADBOARD AND FOOTBOARD

STEP 4:

PLACE SLATS OVER SLAT RESTS.



	HEAD BOARD: 1 PCS
	SIDES: 2 PCS
	FOOT BOARD: 1 PCS
	SLATS: 2 PCS
	SLAT RESTS: 1 PCS
	WOODEN LEGS: 3 PCS
	BACK METAL FEET: 2 PCS
	FRONT METAL FEET: 2 PCS
	ADHESIVE FELT PADS: 8 PCS
	L-SHAPED WRENCH: 1 PCS
	HEX SLOT BOLTS: 16 PCS
	T-SHAPED WRENCH: 1 PCS
	HEX HEAD BOLTS: 8 PCS