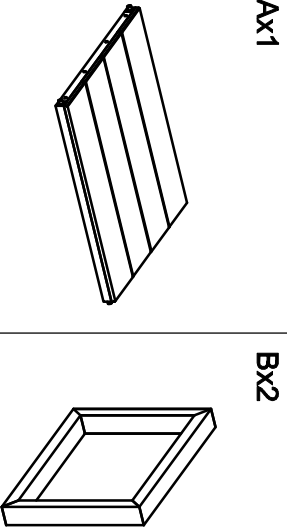
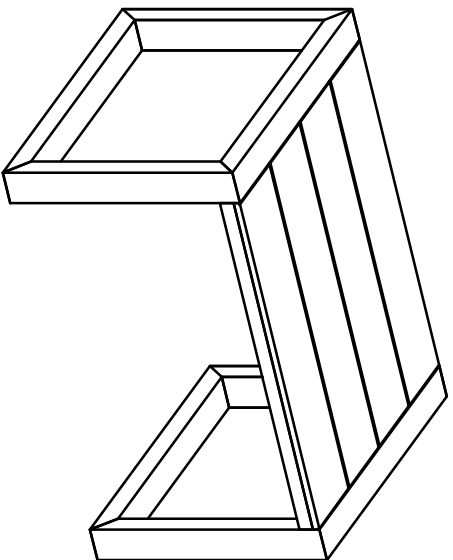


# PARSON COCKTAIL TABLE

Assembly Instructions



LIST OF HARDWARE		
NO.	HARDWARE	QTY.
1	F-Bolt M8x50 mm	08
2	S.S. Washer	08
3	Allen Key	01

