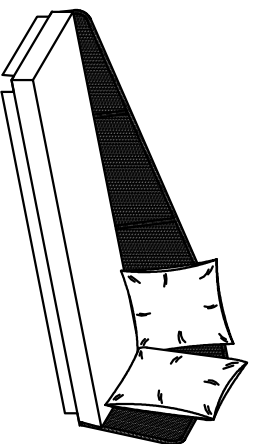
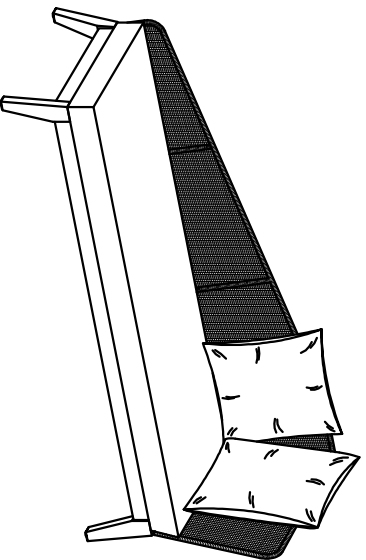


NETTA DAYBED/CHASE (LEFT)

Assembly Instructions



Ax1



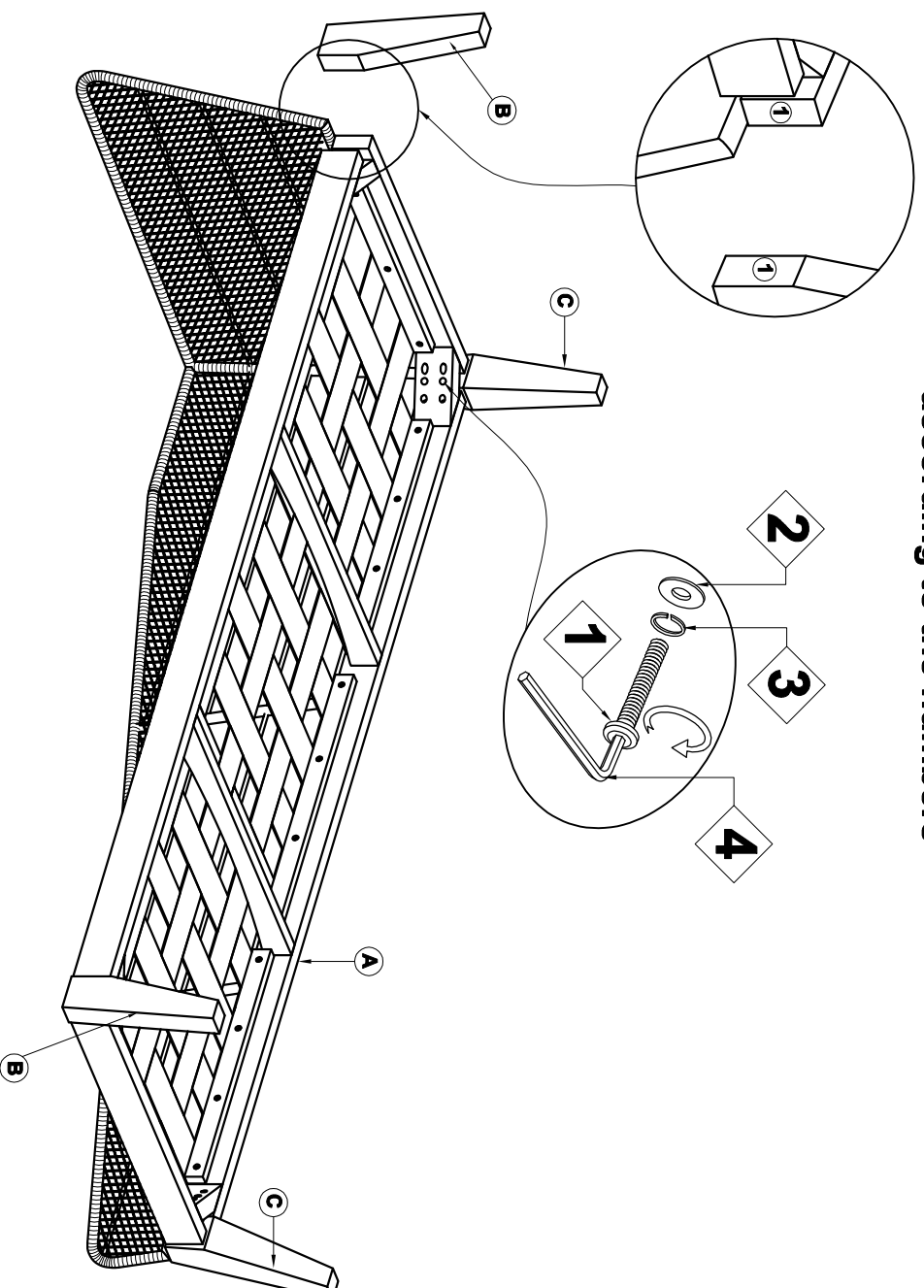
Bx2 (L&R)

Cx2 (L&R)

LIST OF HARDWARE

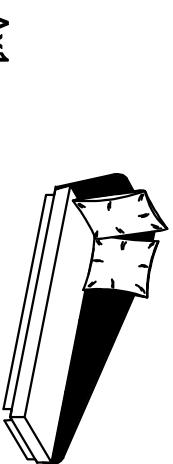
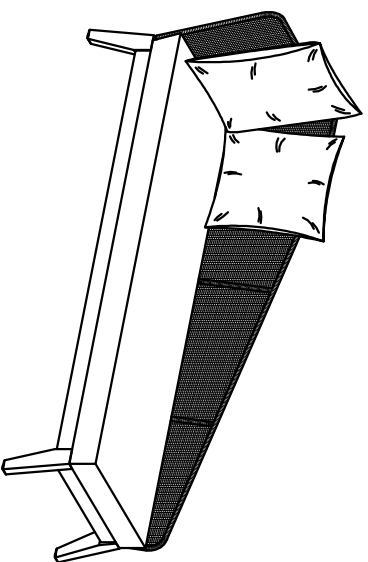
NO.	HARDWARE	QTY.
1	F-Bolt	08
2	SS Washers	08
3	S.S. Spring Washer	08
4	Allen key	01

Note : please assemble the leg according to the numbers



NETTA DAYBED/CHASE (RIGHT)

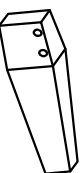
Assembly Instructions



Ax1



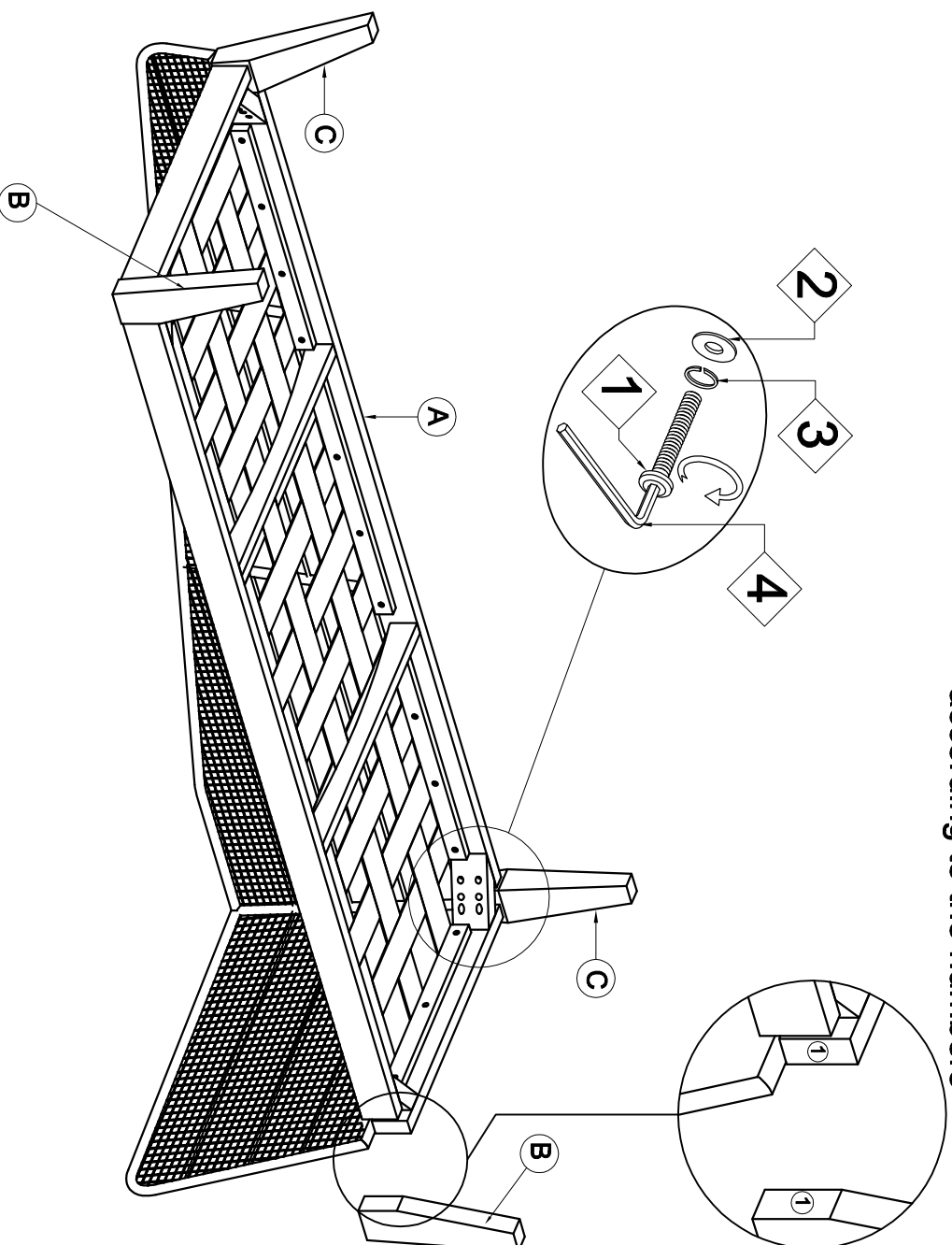
Bx2 (L&R)



Cx2 (L&R)

LIST OF HARDWARE

NO.	HARDWARE	QTY.
1	F-Bolt	08
2	SS Washers	08
3	S.S. Spring Washer	08
4	Allen key	01



Note : please assemble the leg according to the numbers