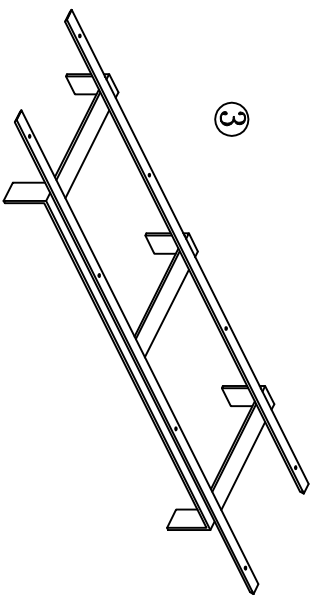


MD736 Assembly Instructions

Parts



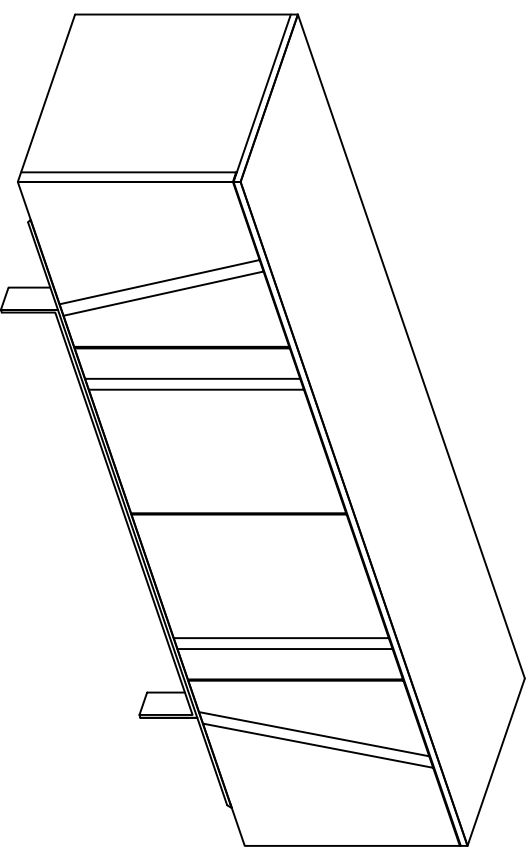
① x8 M6*20



② x1 4mm



2:



1:

