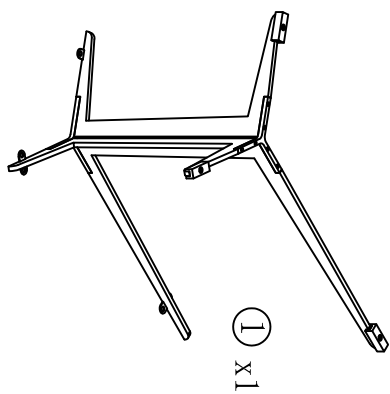


# MD419 Assembly Instructions

1:



1 x 1

3 x 6

M6\*20



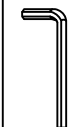
4 x 6

M8\*ø16\*2

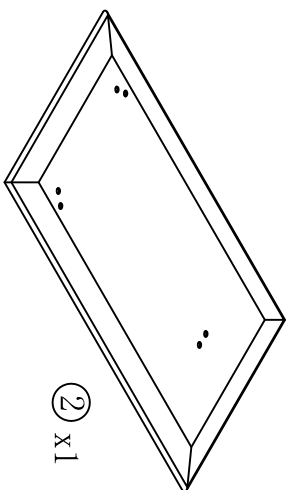


5 x 1

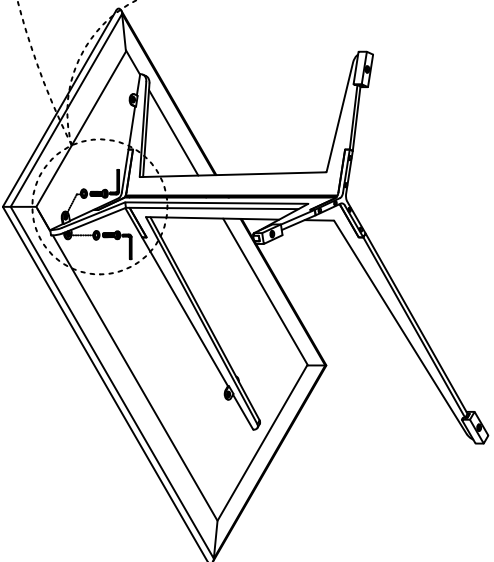
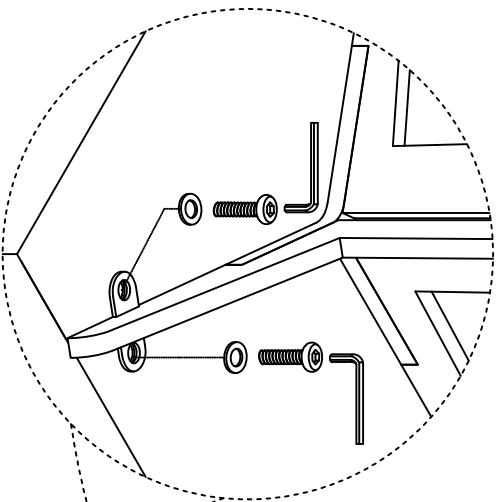
M4



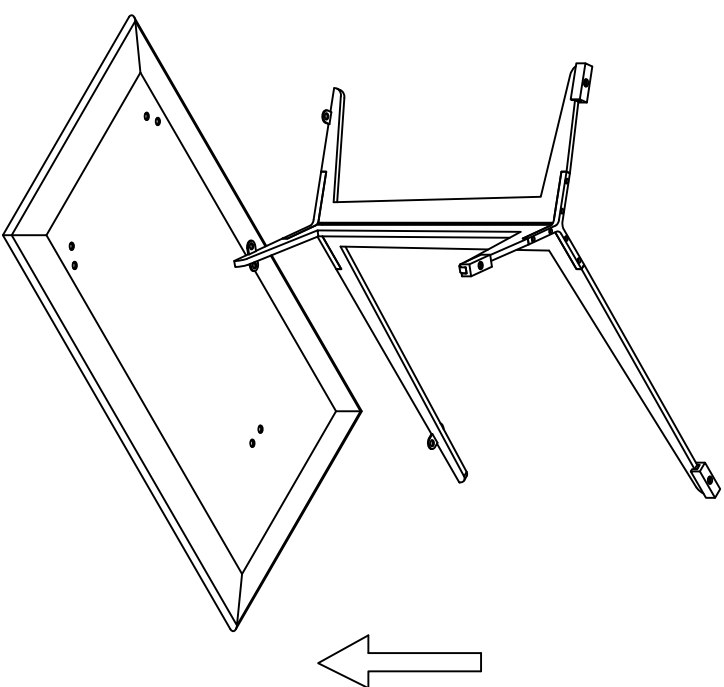
3:



2 x 1



2:



4:

