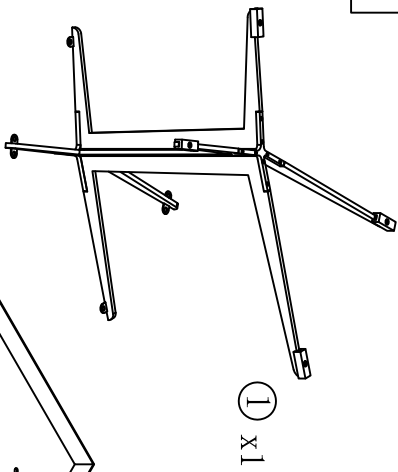


# MD417 Assembly Instructions

1:



① x1

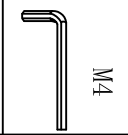
③ x8



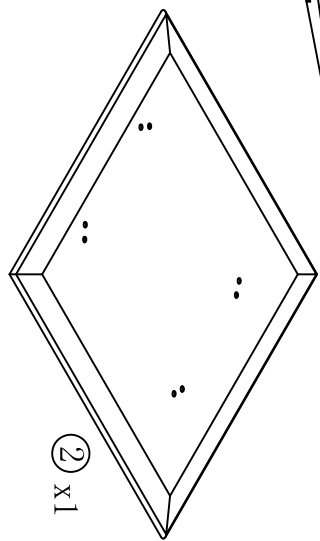
④ x8



⑤ x1

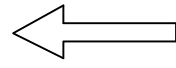
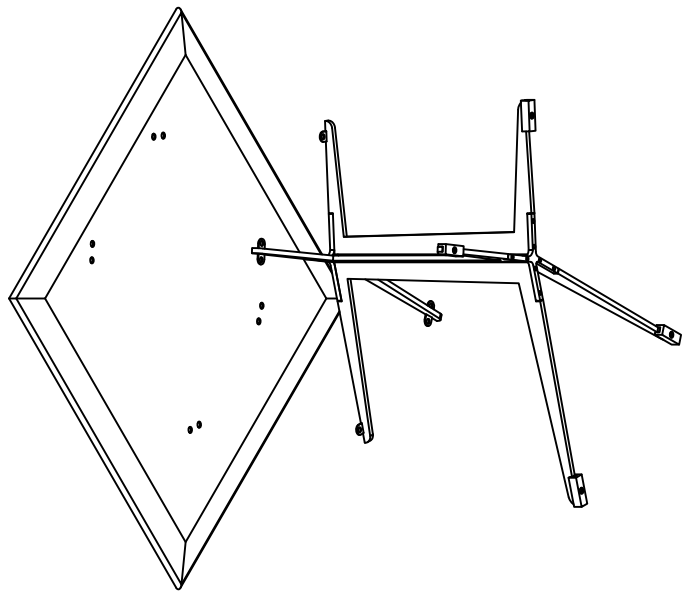


3:



② x1

2:



4:

