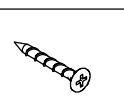
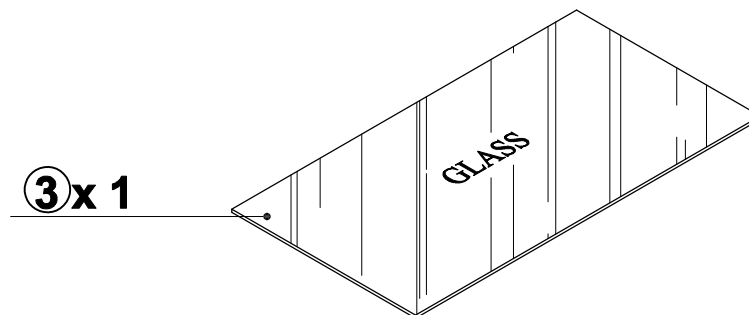
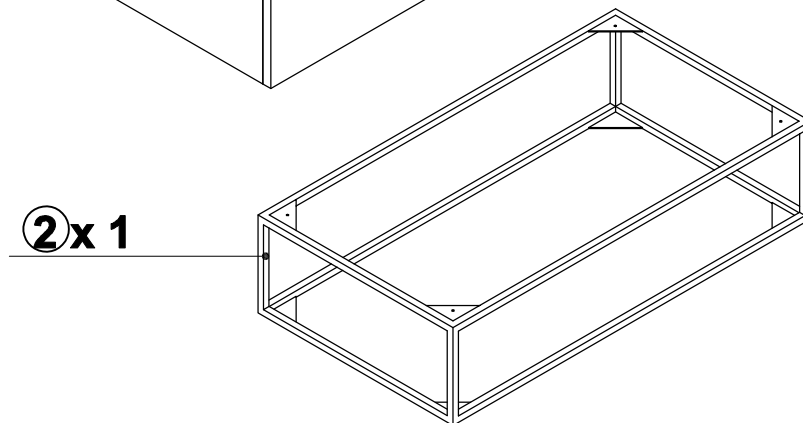
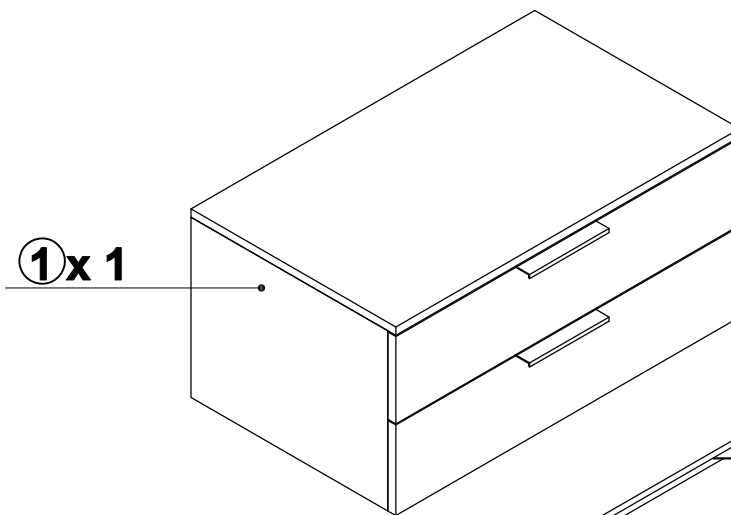
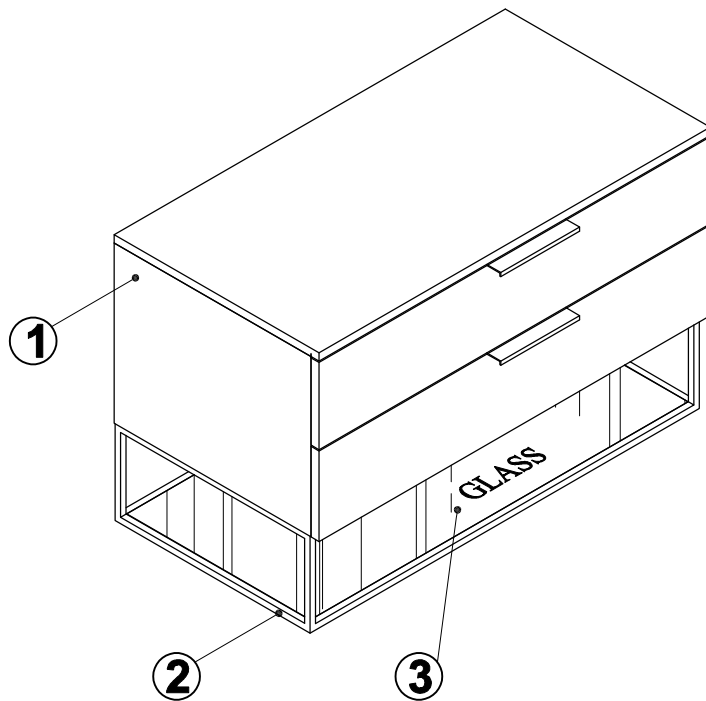
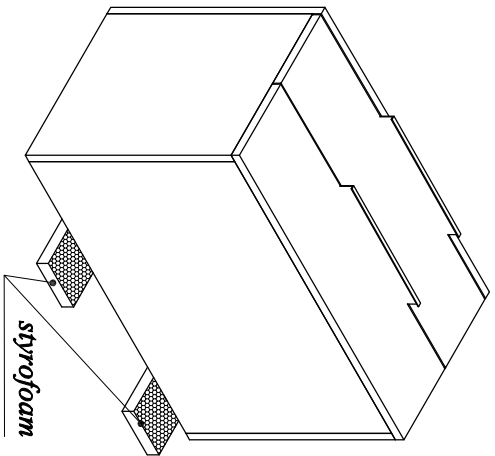


# ASSEMBLY INSTRUCTION

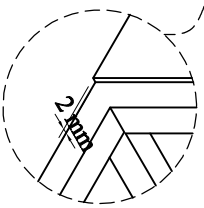
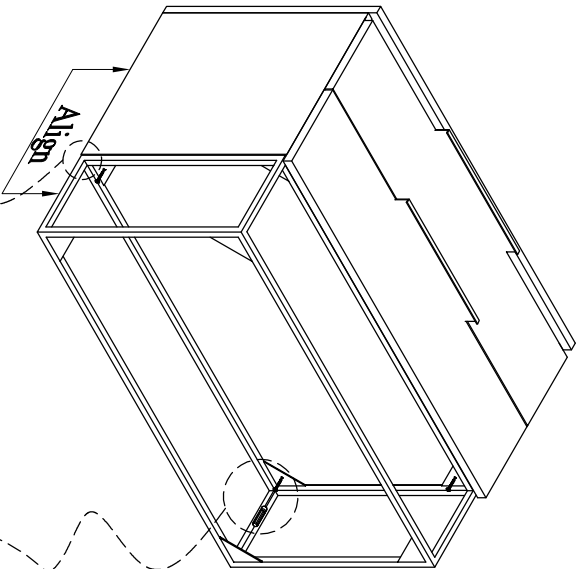
## MD365-BOWERY NIGHT TANDS



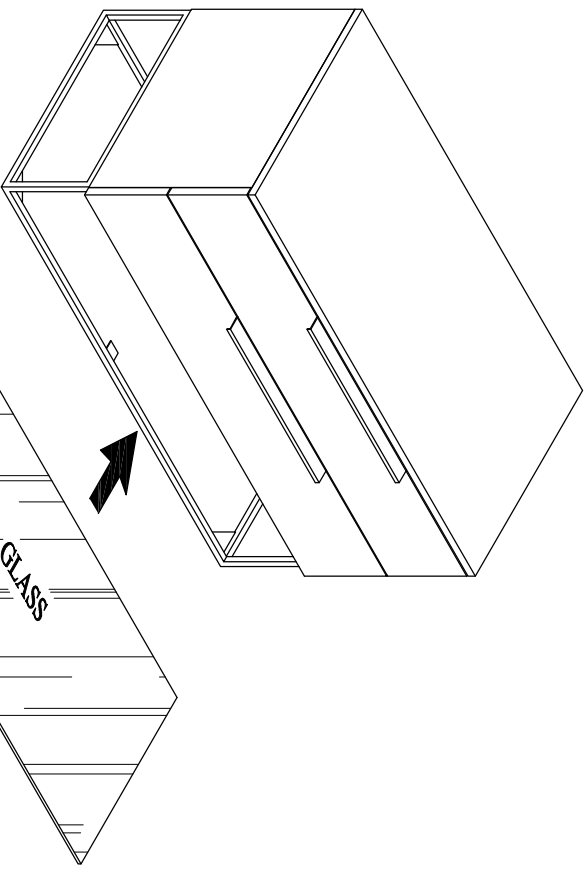
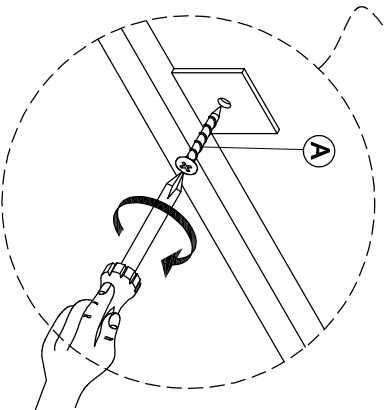
Ⓐ x 4  
(M4 x 1.5)



**Step 1 :** When attaching the legs, please do not put the cabinet directly on floor to avoid damaging the product.  
Please put the cabinet gently on the styrofoam to protect the product while attaching the legs.



**Step 2 :** Attaching the Cabinet to metal leg, put all screws lightly in place before tightening them.  
To protect the product, do not use too much force when tightening the screws.



**Step 3 :** Assembly glass shelf with metal support

**Step 4 :** Remove film protection as the image below to complete installment.

