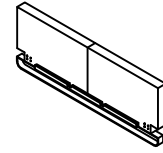
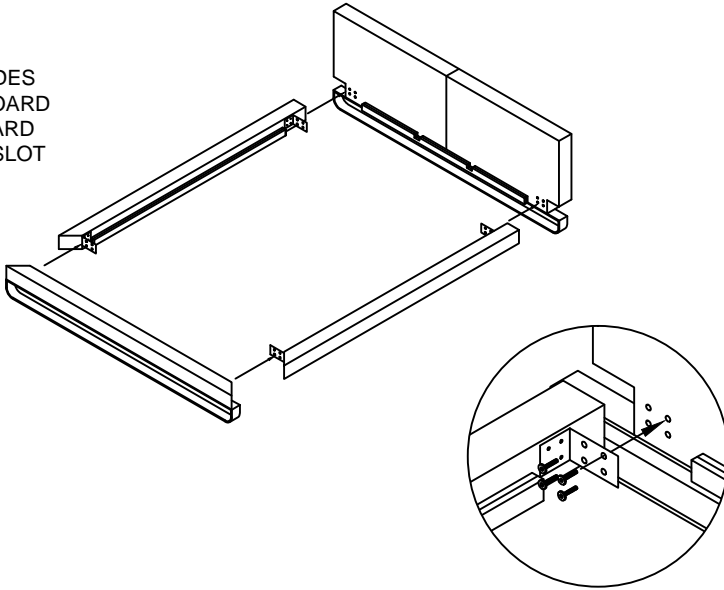


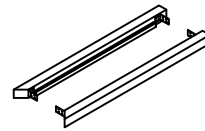
ASSEMBLY INSTRUCTIONS: CHELSEA KING

STEP 1:

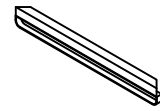
ATTACH SIDES
TO HEADBOARD
& FOOTBOARD
WITH HEX SLOT
BOLTS.



HEAD
BOARD:
1 PCS



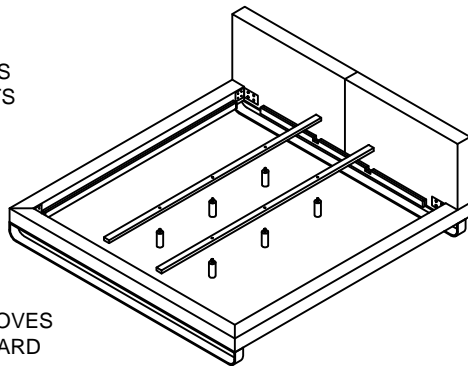
SIDES:
2 PCS



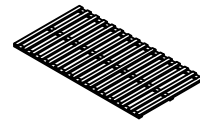
FOOT
BOARD:
1 PCS

STEP 2:

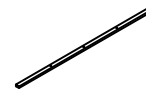
ATTACH
WOODEN LEGS
TO SLAT RESTS



PLACE SLAT RESTS IN GROOVES
ON HEADBOARD & FOOTBOARD



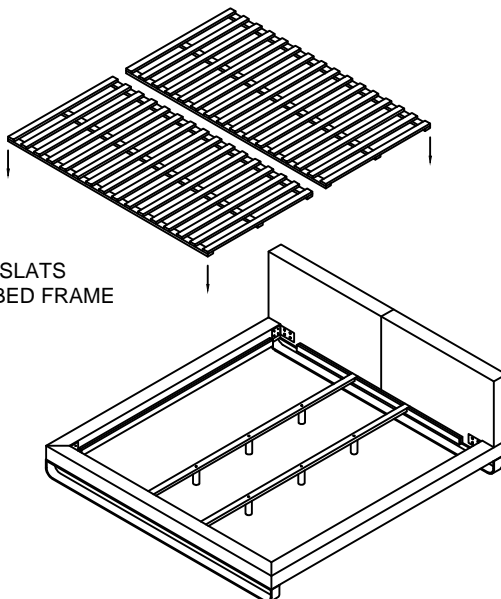
SLATS:
2 PCS



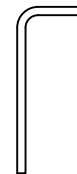
SLAT
RESTS:
2 PCS

STEP 3:

PLACE SLATS
ONTO BED FRAME



WOODEN
LEGS:
6 PCS



L-SHAPED
WRENCH:
1 PCS



HEX SLOT
BOLTS:
16 PCS