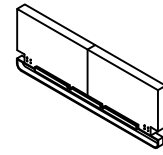
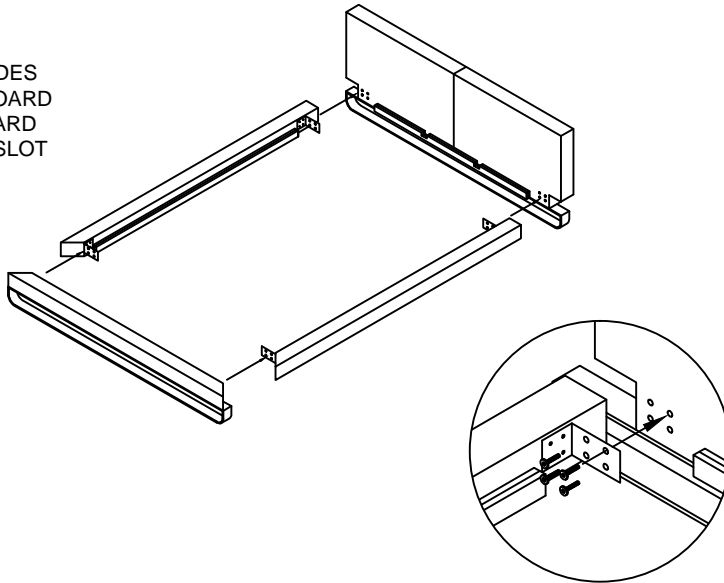


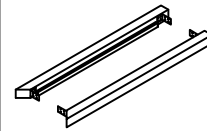
# ASSEMBLY INSTRUCTIONS: CHELSEA CAL KING

## STEP 1:

ATTACH SIDES TO HEADBOARD & FOOTBOARD WITH HEX SLOT BOLTS.



HEAD BOARD:  
1 PCS



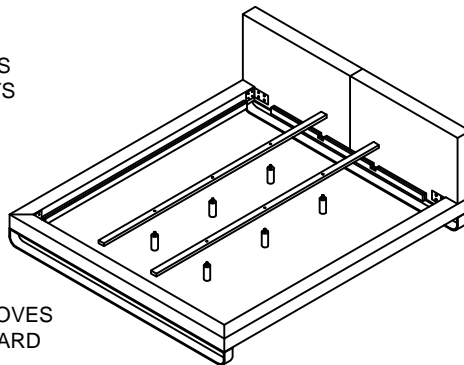
SIDES:  
2 PCS



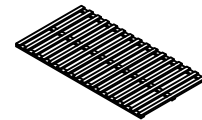
FOOT BOARD:  
1 PCS

## STEP 2:

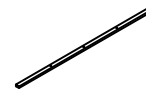
ATTACH WOODEN LEGS TO SLAT RESTS



PLACE SLAT RESTS IN GROOVES ON HEADBOARD & FOOTBOARD



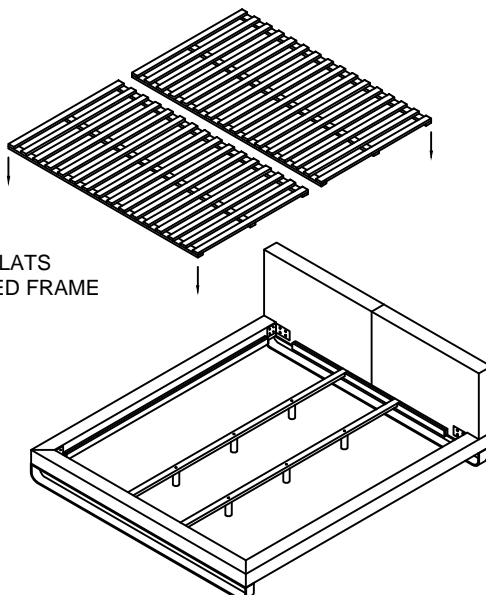
SLATS:  
2 PCS



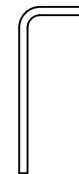
SLAT RESTS:  
2 PCS

## STEP 3:

PLACE SLATS ONTO BED FRAME



WOODEN LEGS:  
6 PCS



L-SHAPED WRENCH:  
1 PCS



HEX SLOT BOLTS:  
16 PCS