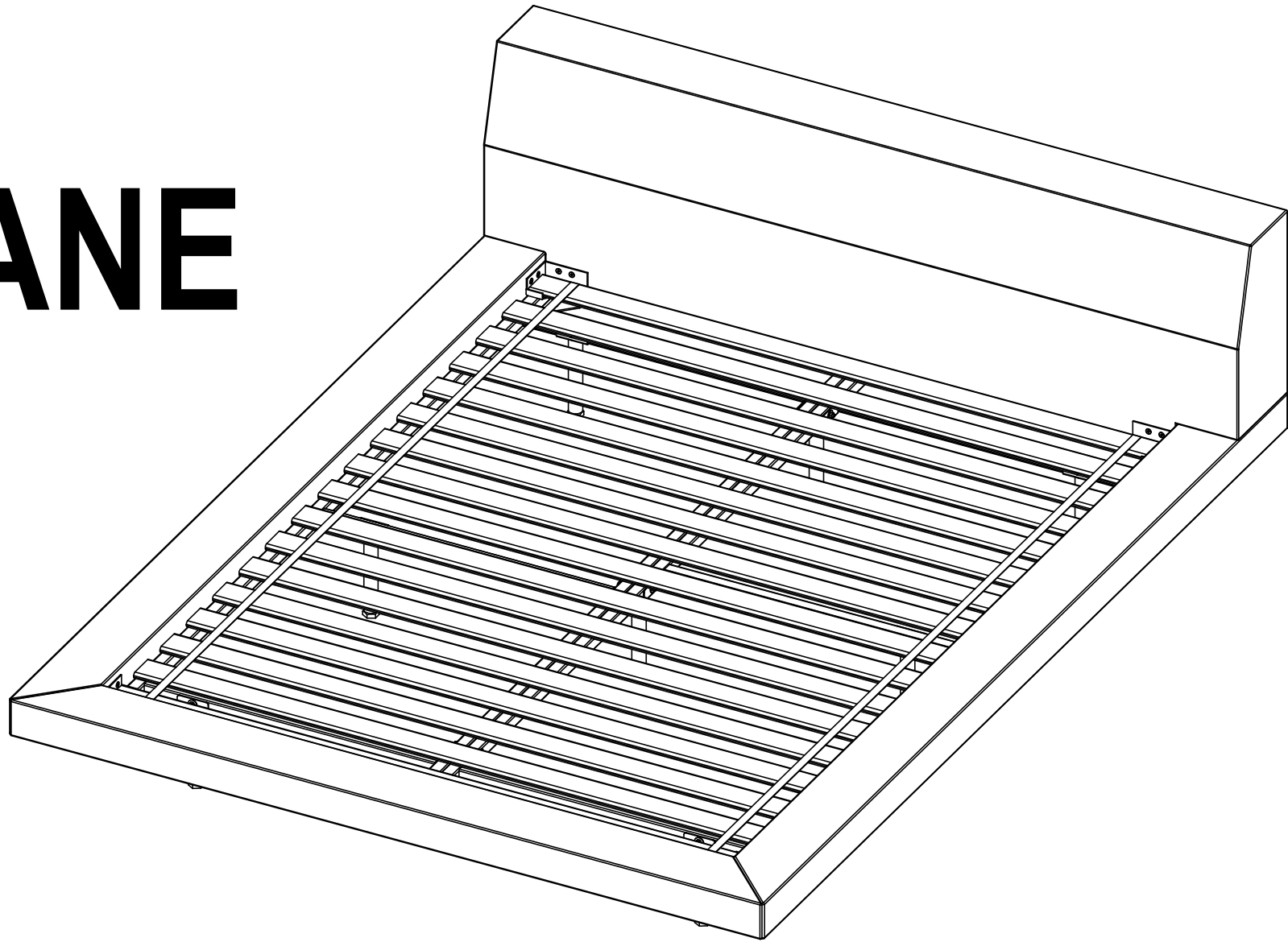
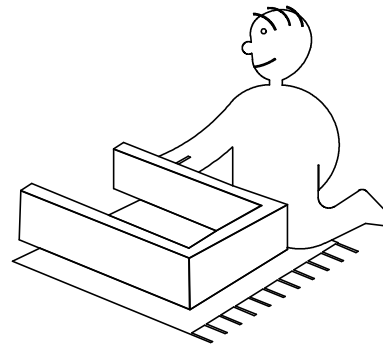
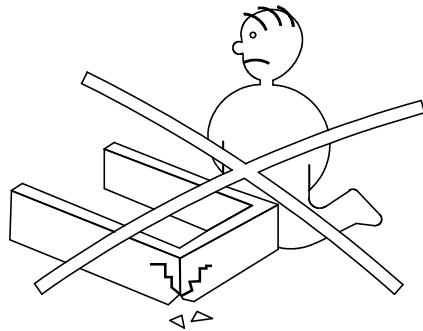
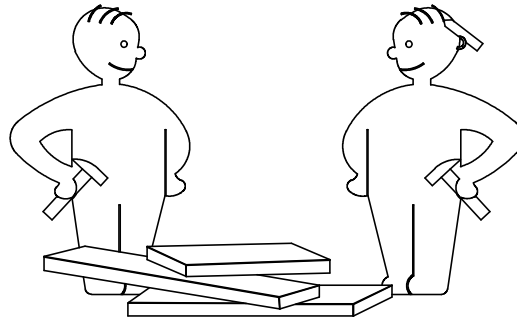
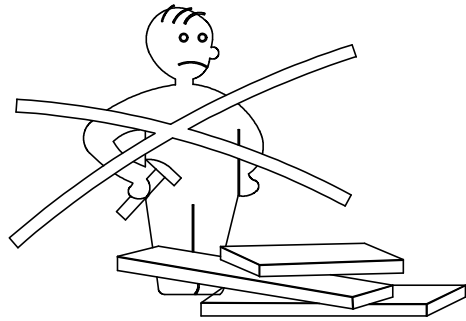
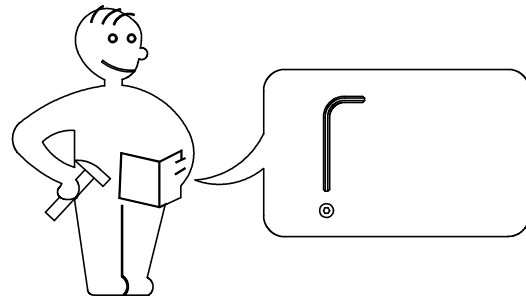


JANE



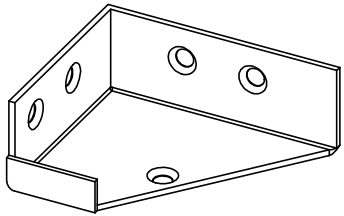
MODLOFT



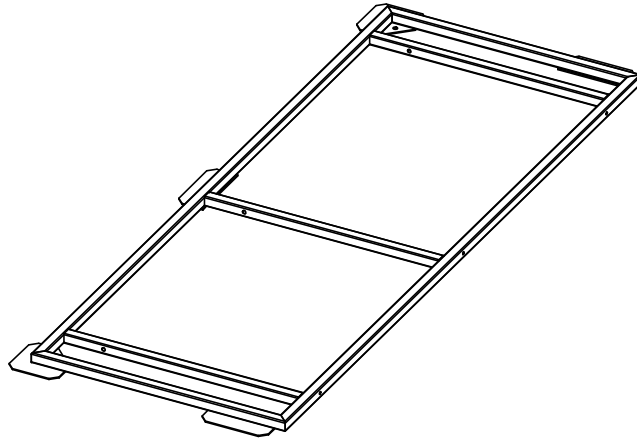


ASSEMBLY INSTRUCTION

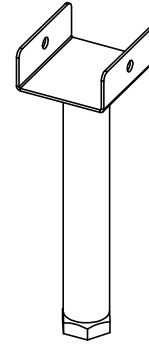
JANE MD323



4X



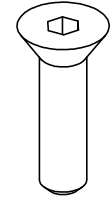
2X



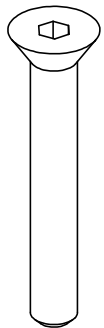
3X



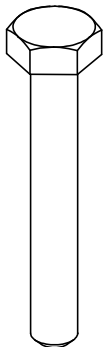
6X



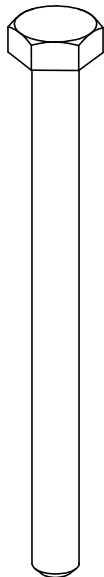
ALLEN 1/4 X 1"
16X



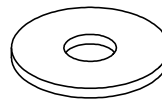
ALLEN 1/4 X 2"
4X



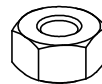
HEX HEAD 1/4 X 1 3/4"
6X



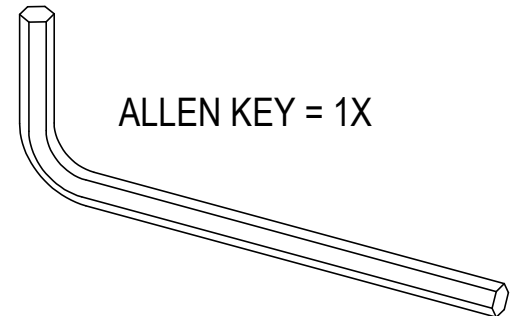
HEX HEAD 1/4 X 3"
3X



FLAT WASHER 1/4
13X



HEX NUT 1/4
13X



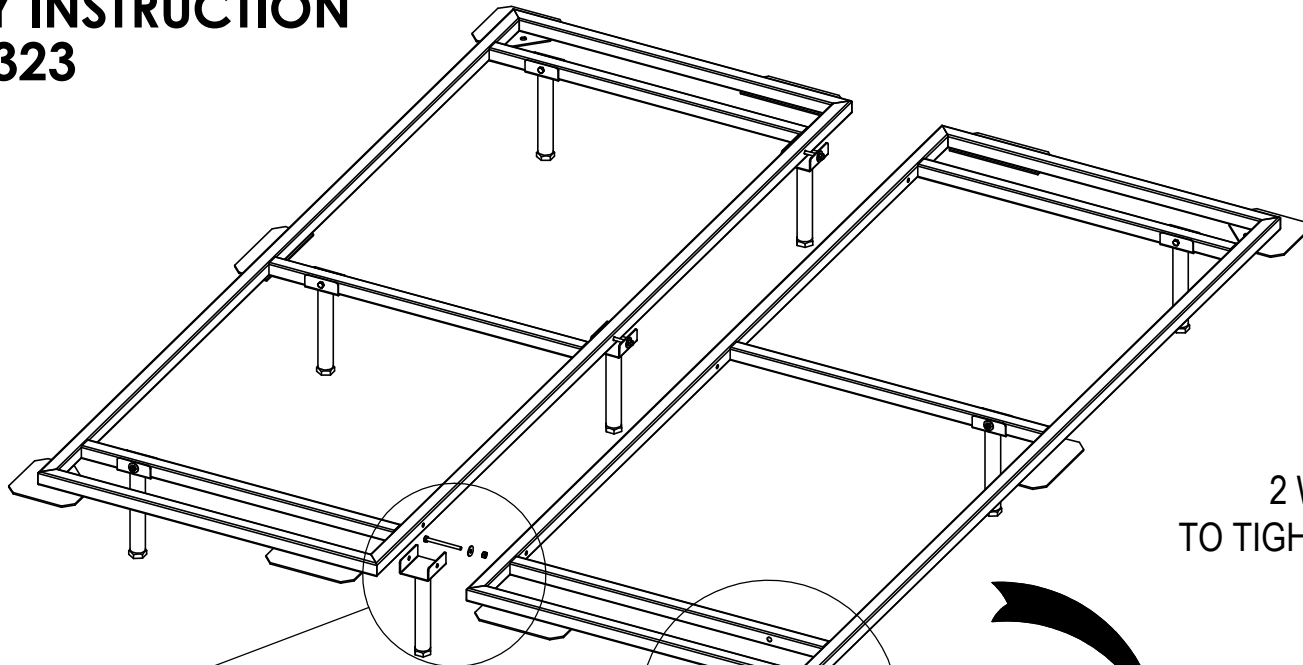
ALLEN KEY = 1X

Q = QUEEN • K/CK = KING / CAL-KING



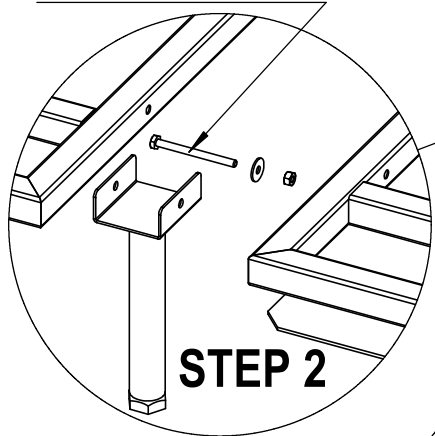
ASSEMBLY INSTRUCTION

JANE MD323



2 WRENCHES REQUIRED
TO TIGHTEN THE FRAME PROPERLY

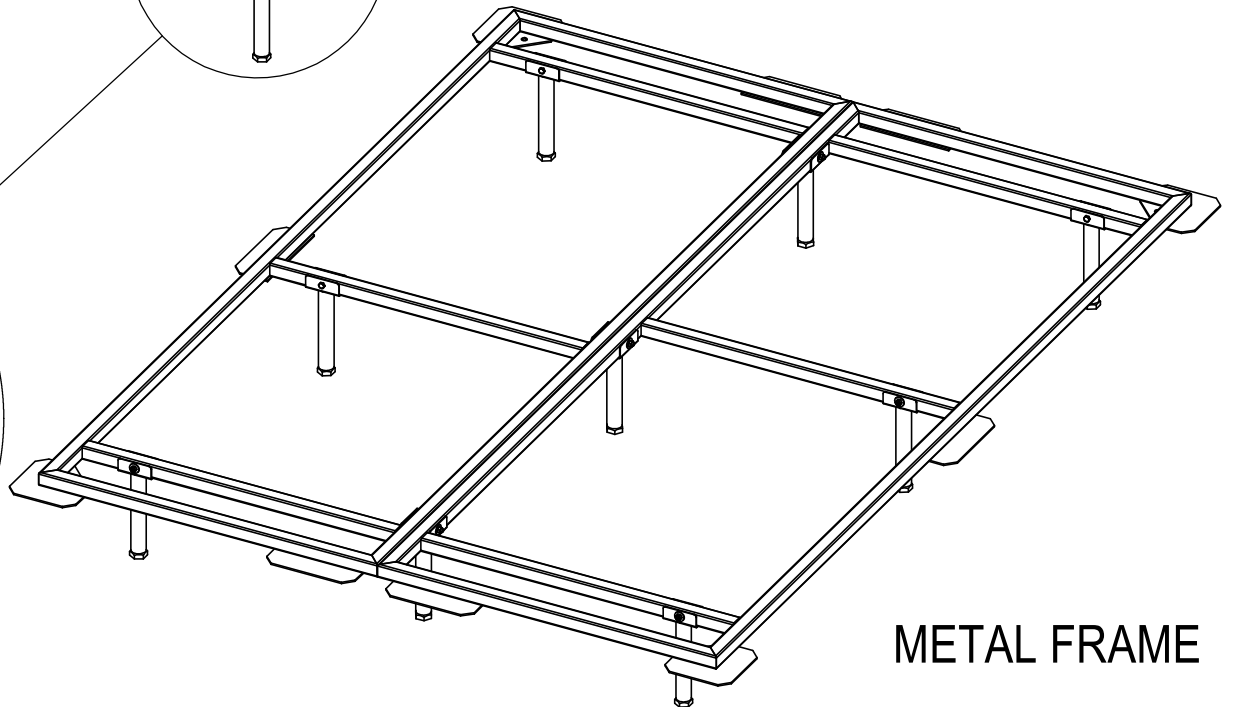
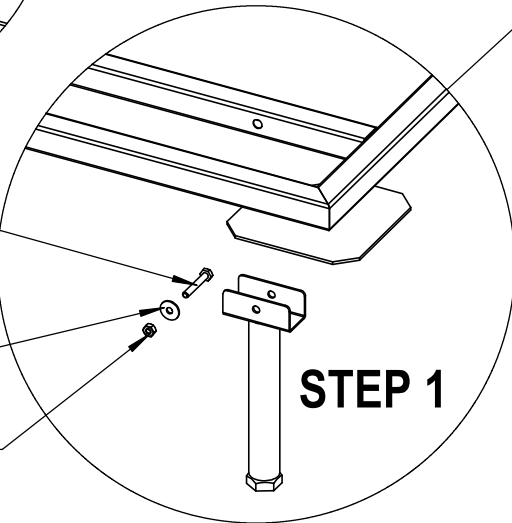
HEX HEAD 1/4 X 3"



HEX HEAD 1/4 X 1 3/4"

FLAT WASHER 1/4"

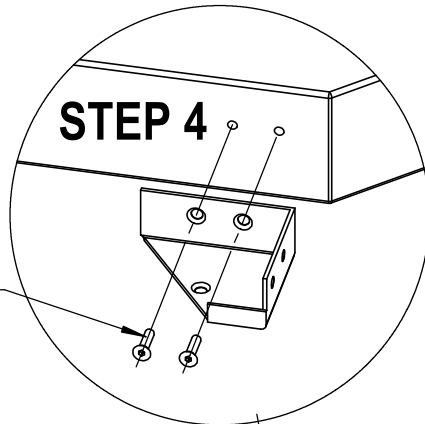
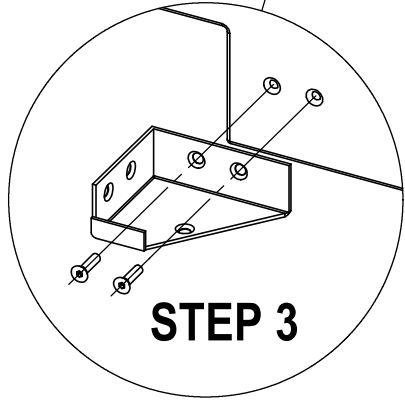
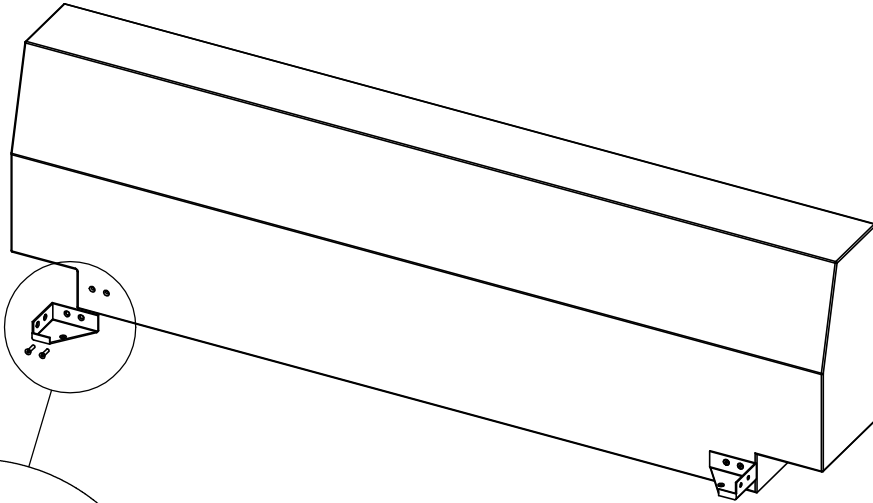
HEX NUT 1/4"



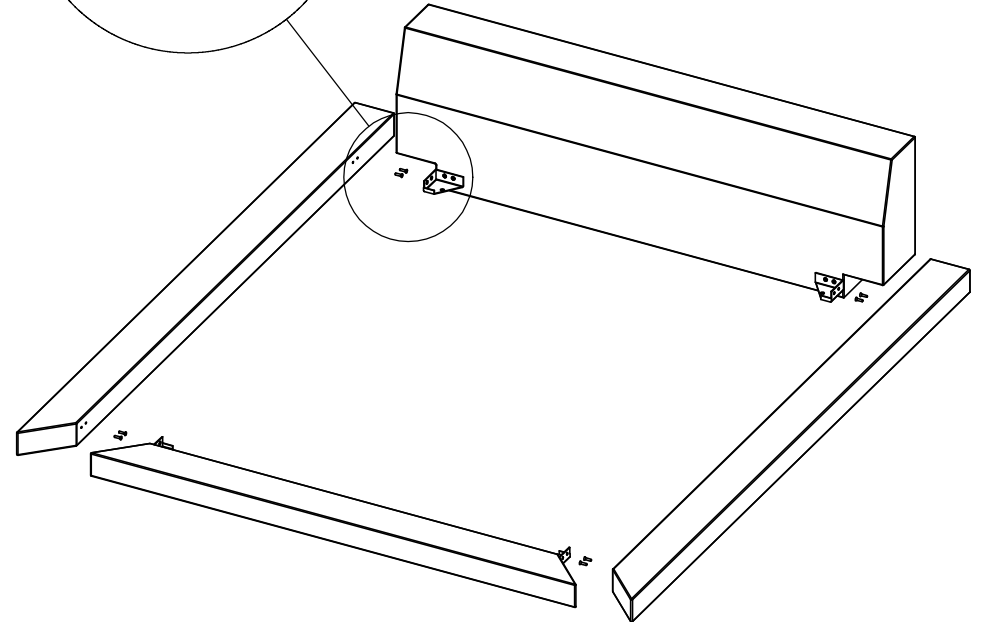
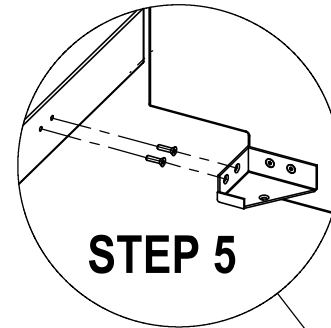
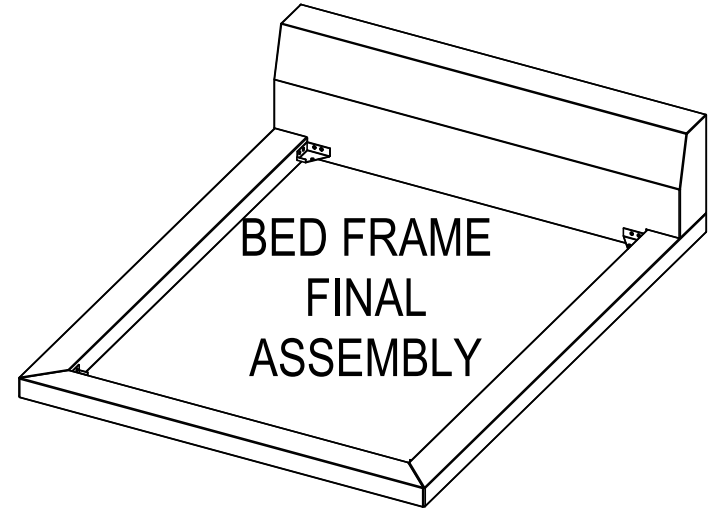
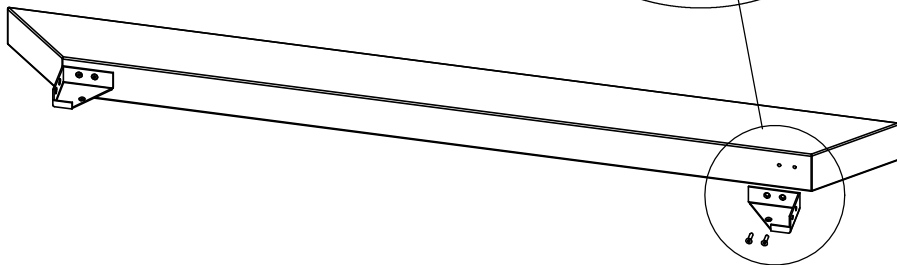


ASSEMBLY INSTRUCTION

JANE MD323



ALLEN 1/4 X 1"





ASSEMBLY INSTRUCTION

JANE MD323

