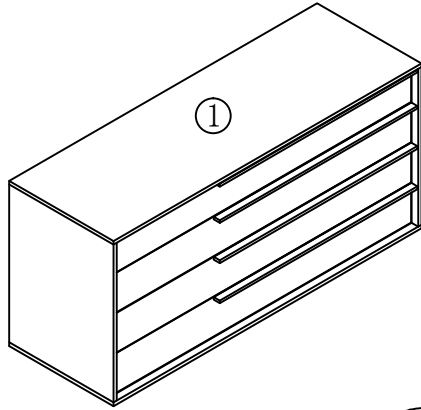


# MD323-DR Assembly Instructions

## Parts



② x 4

③ x4 M8\*1"



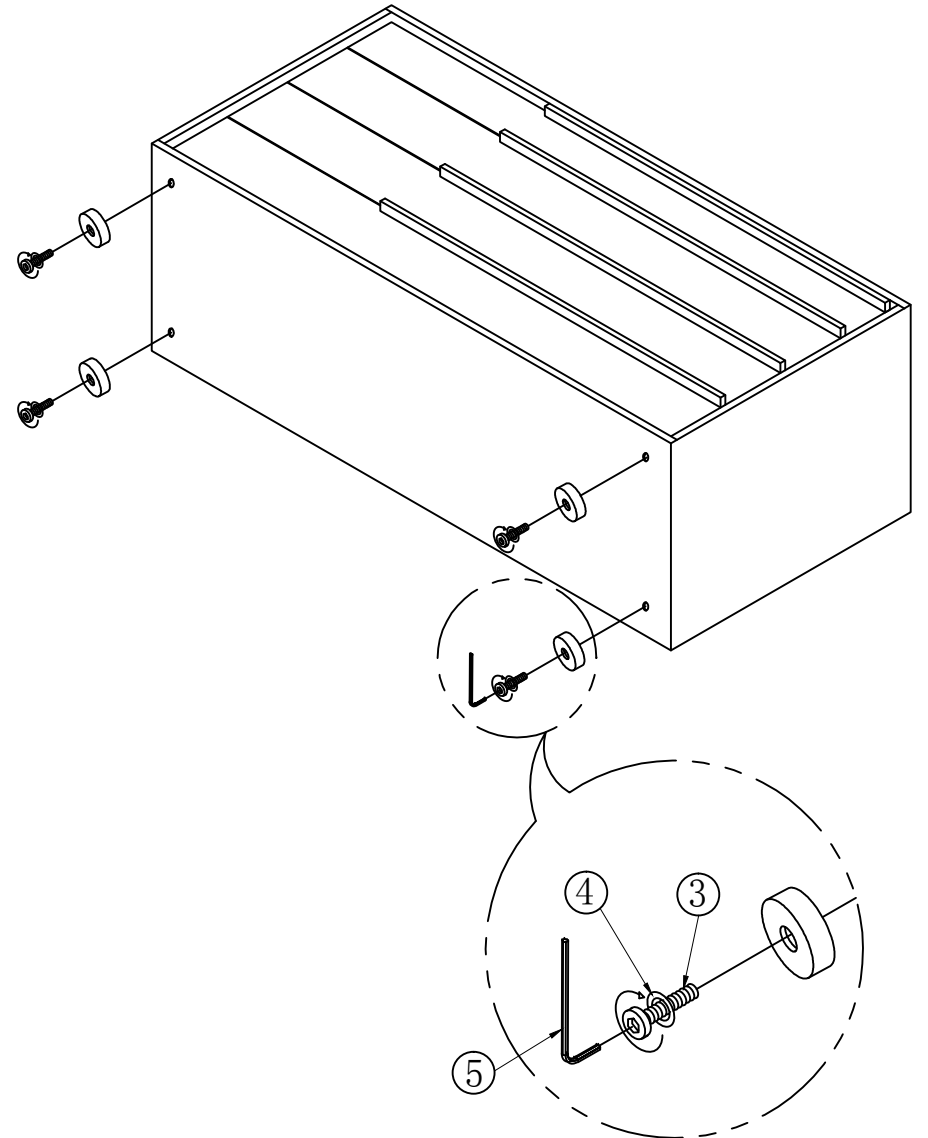
④ x4  
M8\*Φ16\*2



⑤ x1 M5



1:



2:

