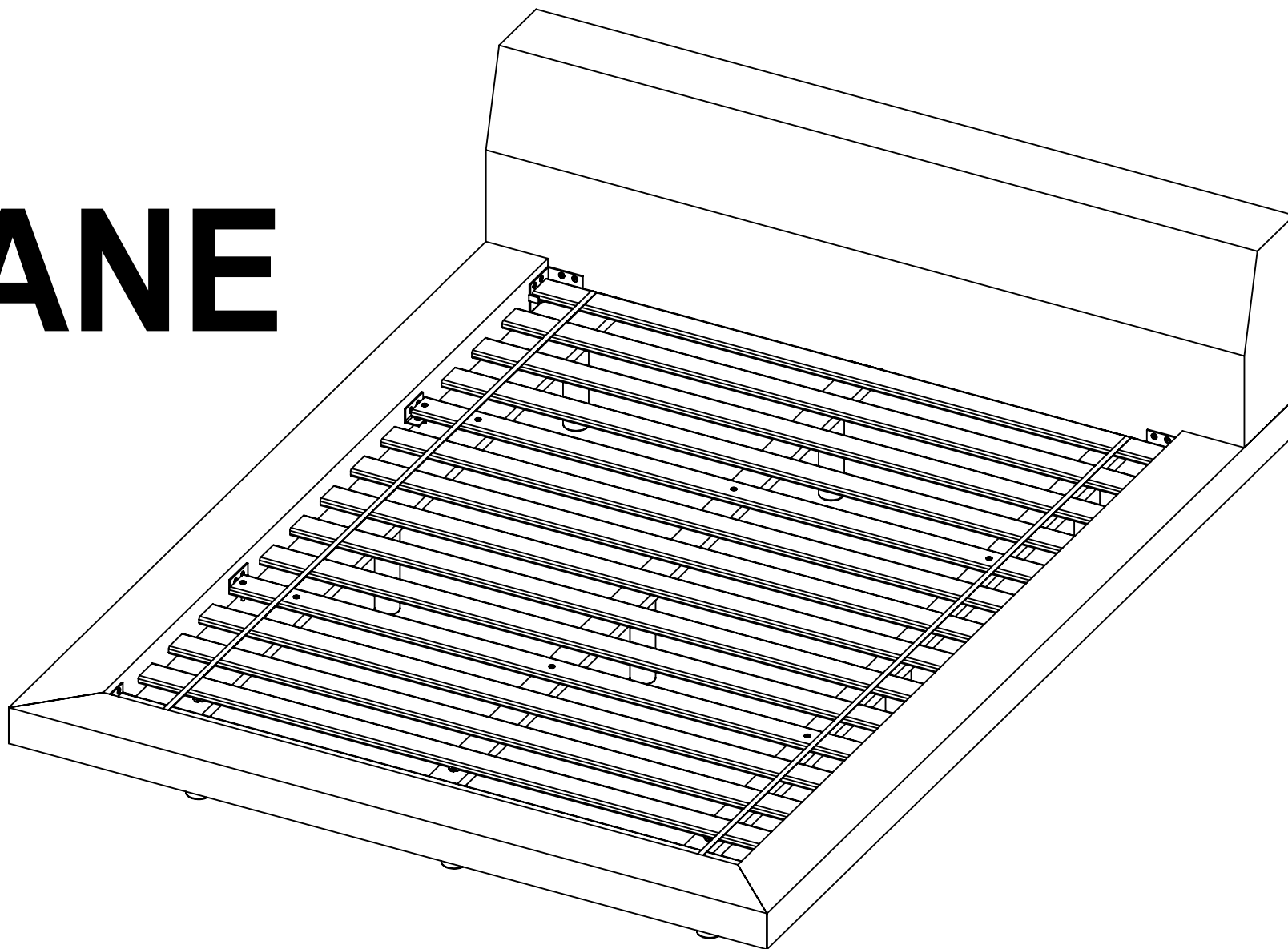
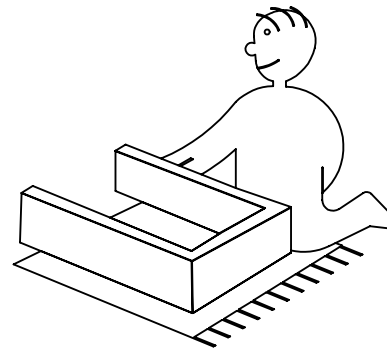
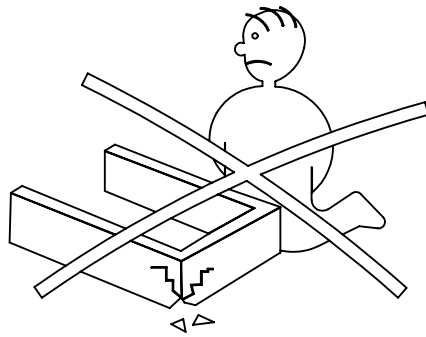
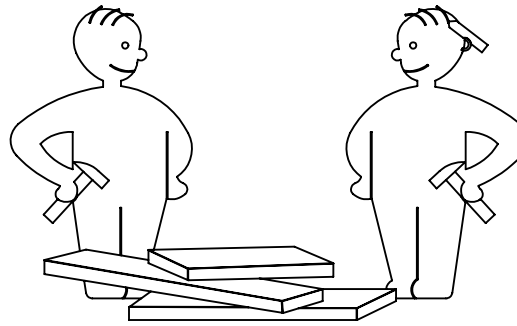
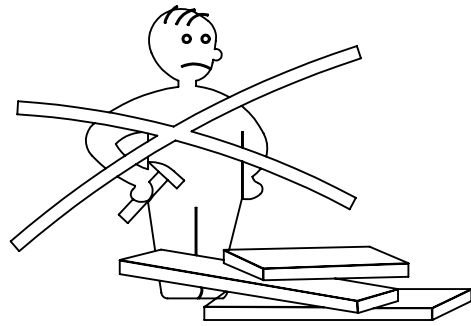
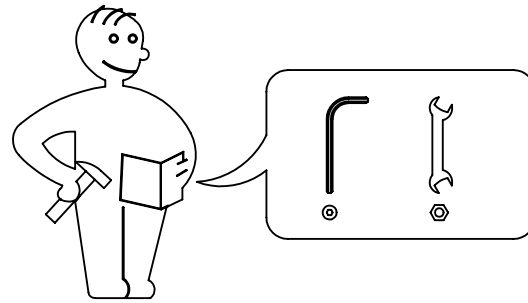


JANE

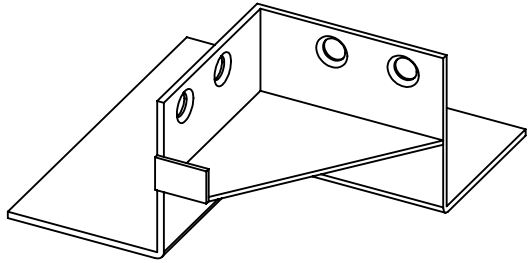


MODLOFT

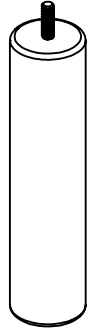




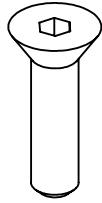
ASSEMBLY INSTRUCTION JANE MD323



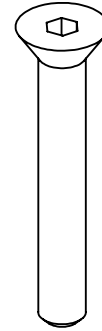
CORNER BRACKET
4X



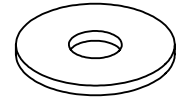
LEG
9X



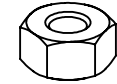
ALLEN 1/4 X 1"
36X



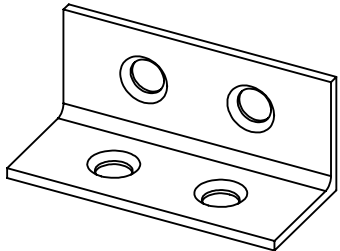
ALLEN 1/4 X 2"
22X



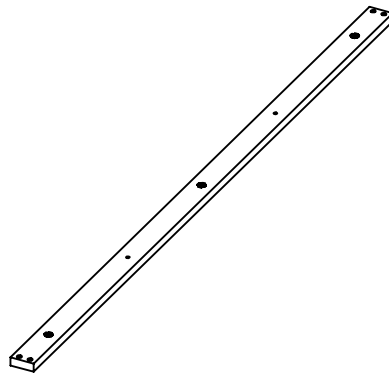
FLAT WASHER 1/4
22X



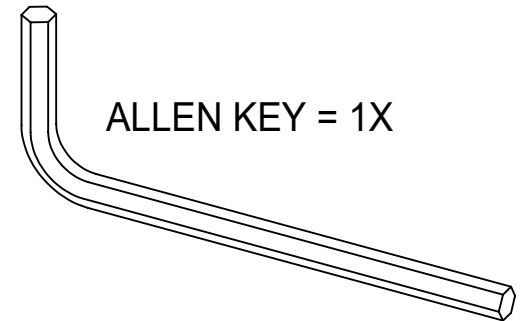
HEX NUT 1/4
22X



BRACKET
10X



LEG BEAM
3X



ALLEN KEY = 1X

Q = QUEEN • K/CK = KING / CAL-KING



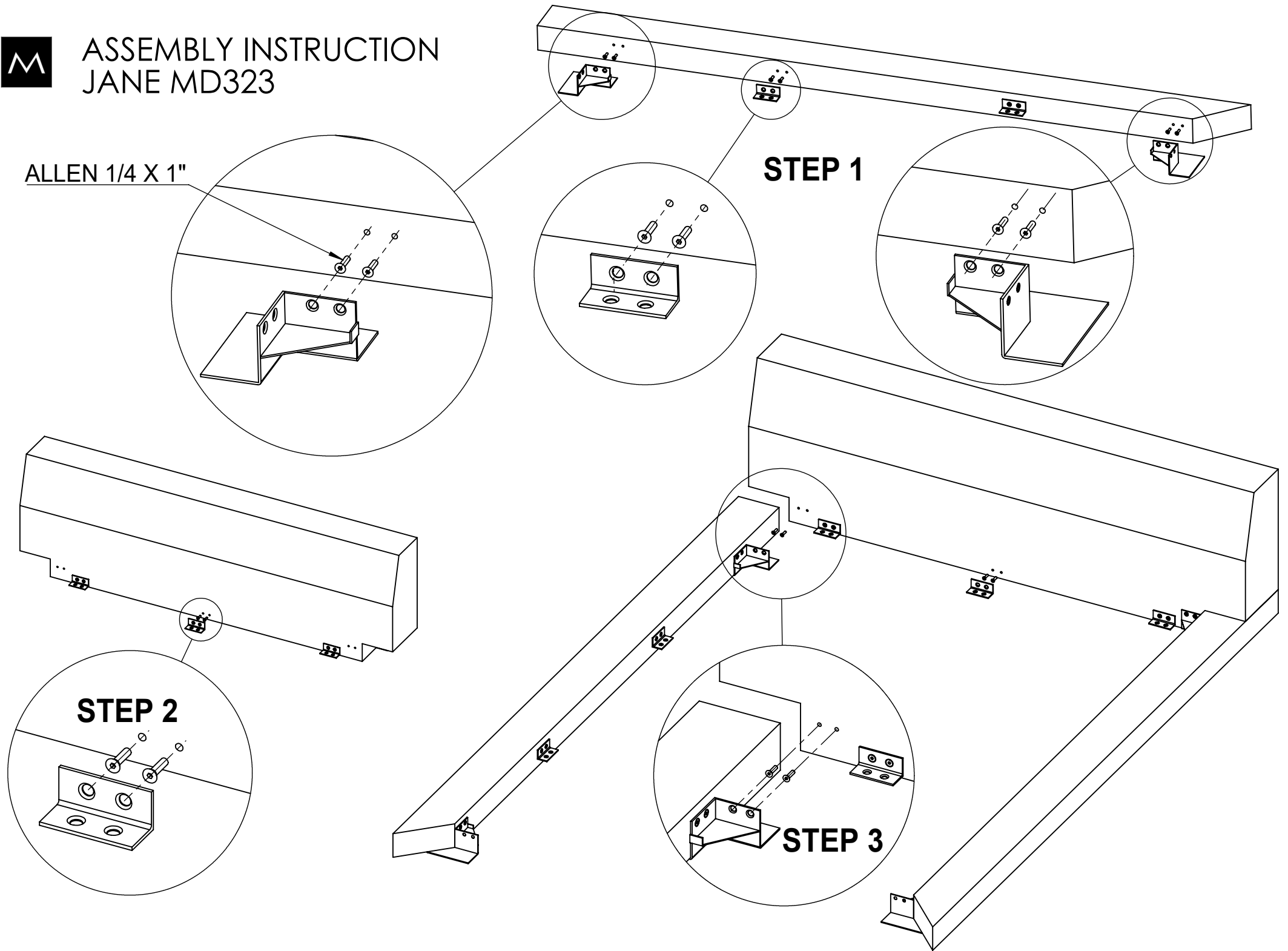
ASSEMBLY INSTRUCTION JANE MD323

ALLEN 1/4 X 1"

STEP 1

STEP 2

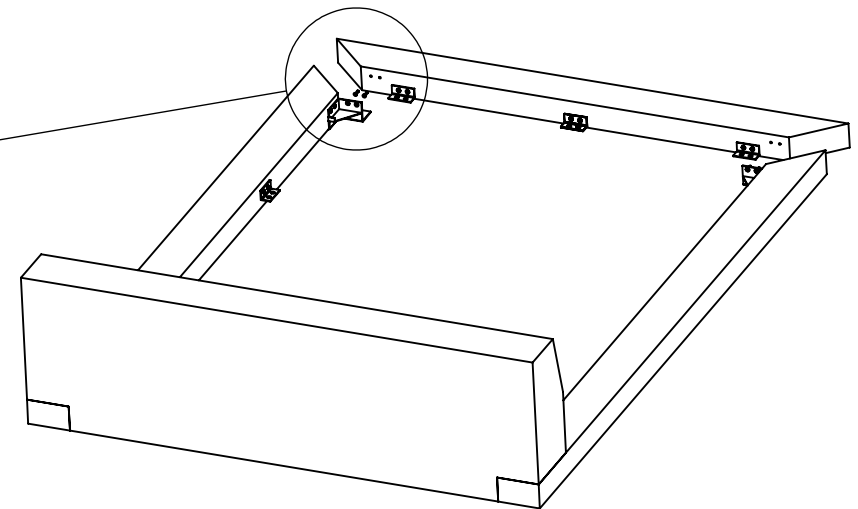
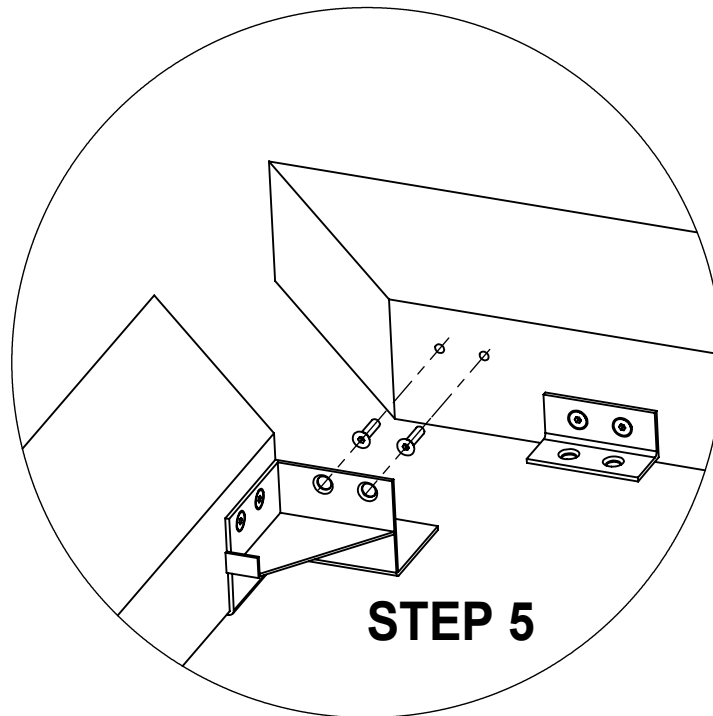
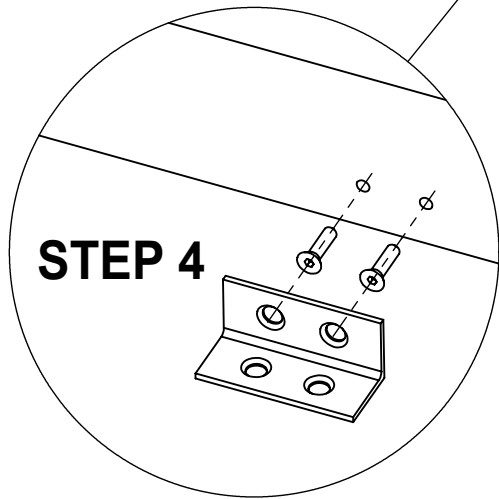
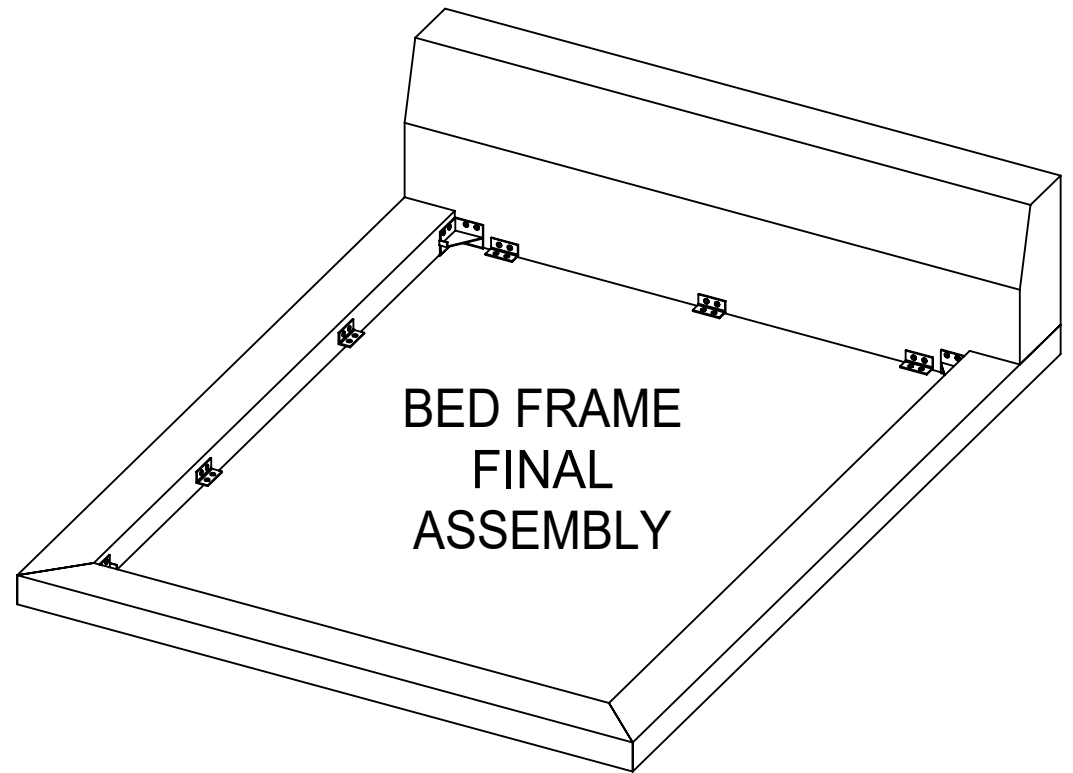
STEP 3





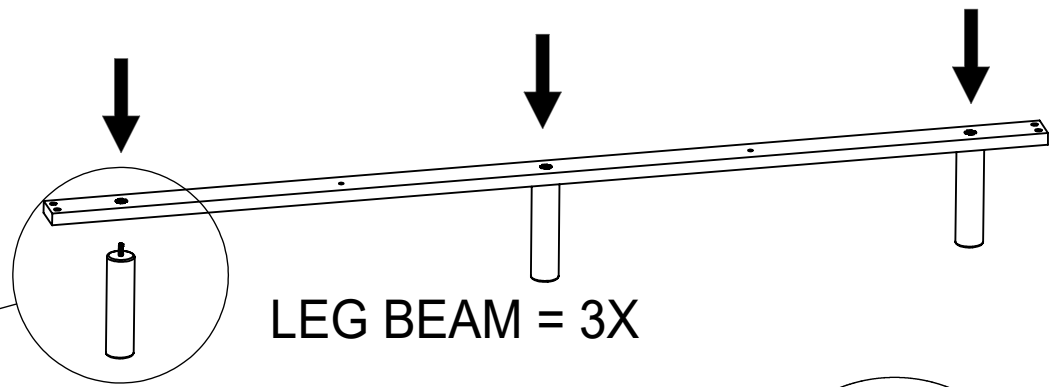
ASSEMBLY INSTRUCTION

JANE MD323

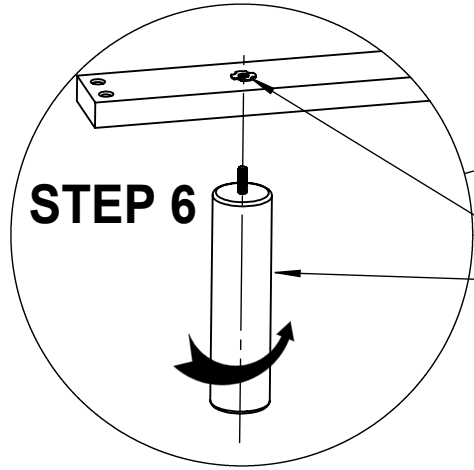




ASSEMBLY INSTRUCTION JANE MD323

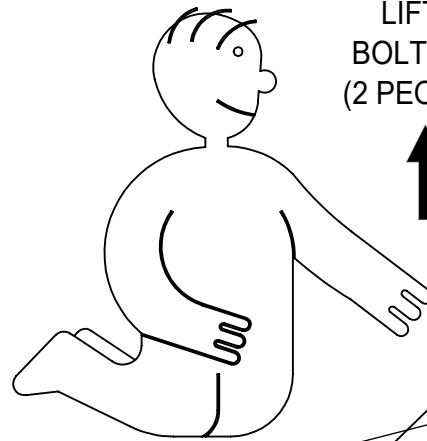


LEG BEAM = 3X

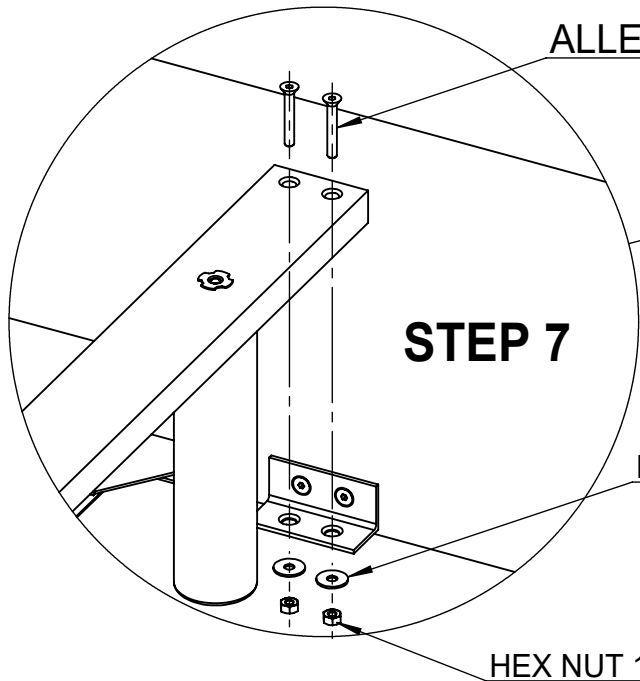
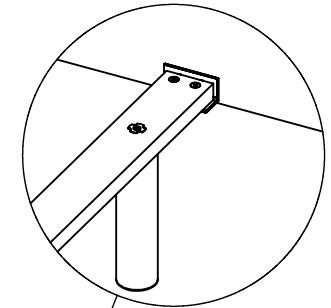


STEP 6

ASSEMBLY THE
LEGS IN THE NUTS



LIFT THE BED TO
BOLT THE LEG BEAM
(2 PEOPLE REQUIRED)

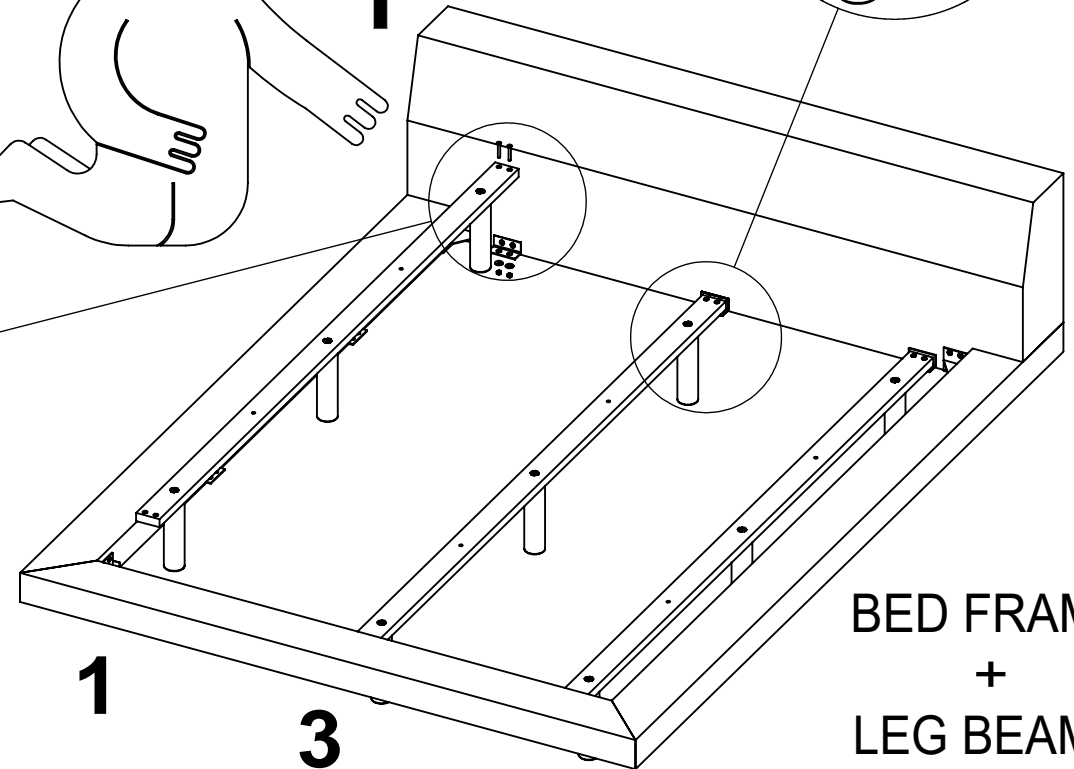


STEP 7

ALLEN 1/4 X 2"

FLAT WASHER 1/4"

HEX NUT 1/4"



FOLLOW THE SEQUENCE
FOR AN EASY ASSEMBLY

BED FRAME
+
LEG BEAMS
ASSEMBLY



ASSEMBLY INSTRUCTION JANE MD323

FLAT WASHER 1/4"

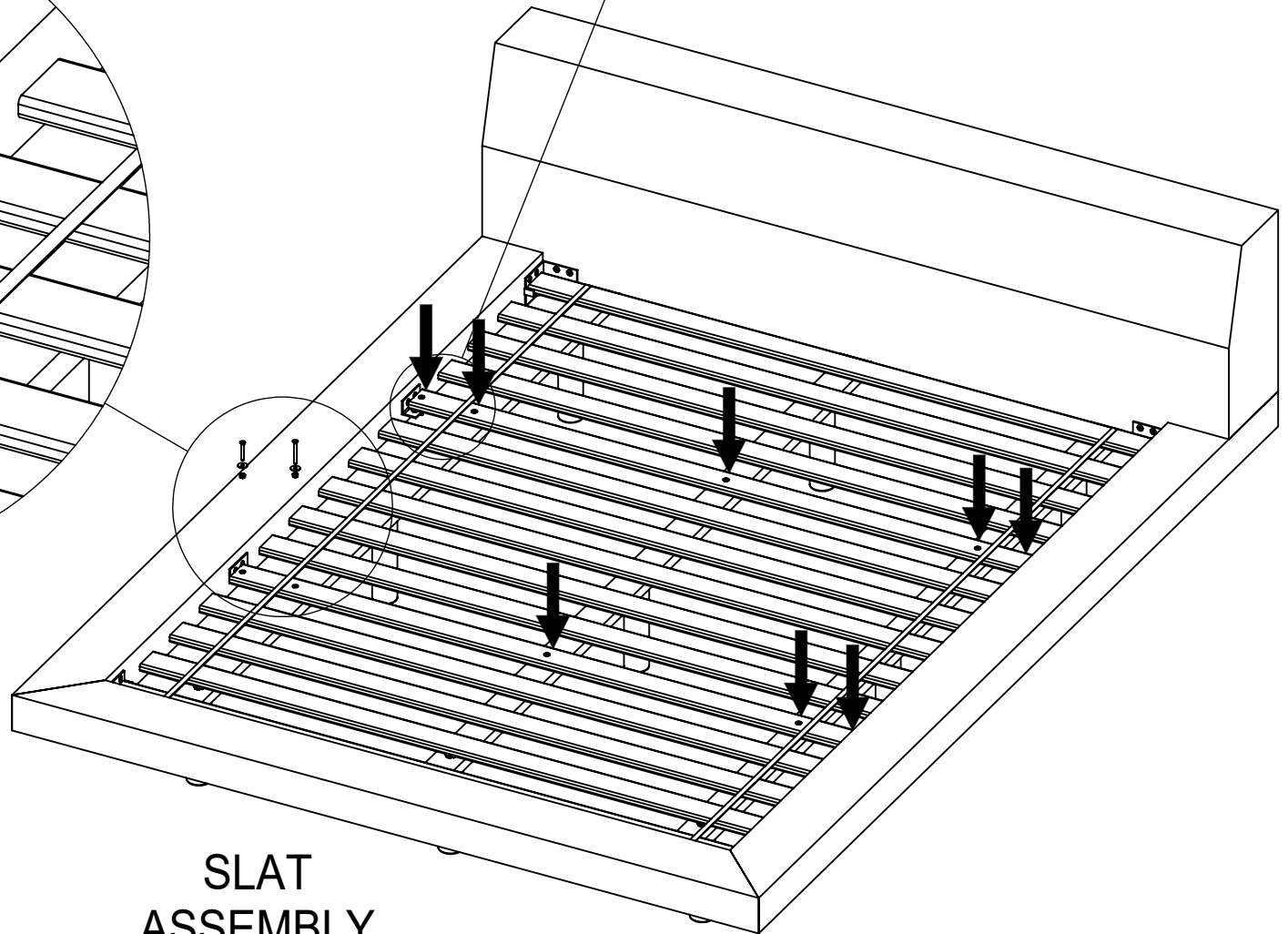
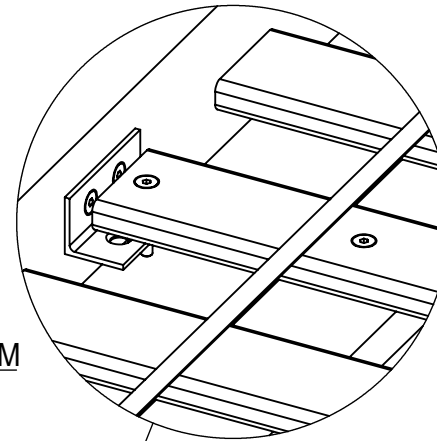
HEX NUT 1/4"

ALLEN 1/4 X 2"
BOLT THE SLAT IN THE BRACKET

ALLEN 1/4 X 2"
BOLT THE SLAT IN THE LEG BEAM

STEP 8

****PLACE ALL BOLTS**
BEFORE TIGHTENING**



SLAT
ASSEMBLY