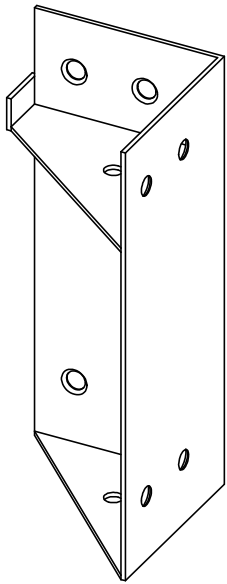
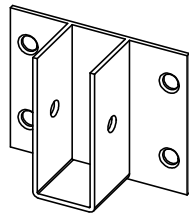


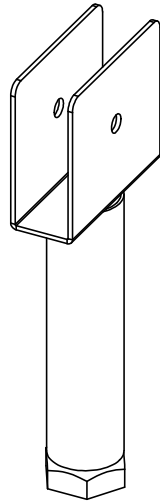
ASSEMBLY INSTRUCTION
THOMPSON MD321



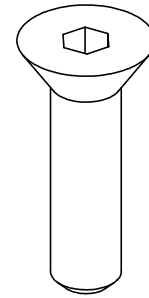
4X



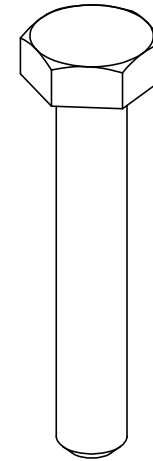
T = 0
F/Q = 2X
K/CK = 4X



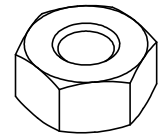
T = 0
F/Q = 2X
K/CK = 4X



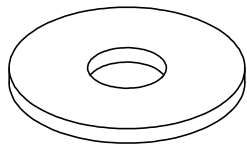
ALLEN 1/4 X 1"
T = 32X
F/Q = 40X
K/CK = 48X



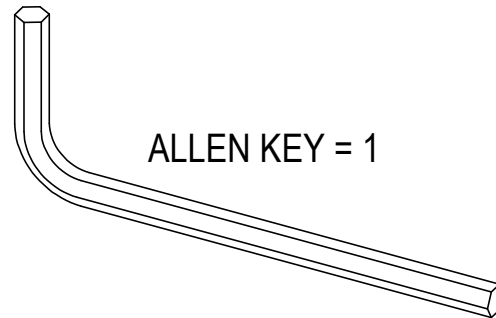
HEX HEAD 1/4 X 1 1/2"
T = 0
F/Q = 2X
K/CK = 4X



HEX NUT 1/4"
T = 0
F/Q = 2X
K/CK = 4X

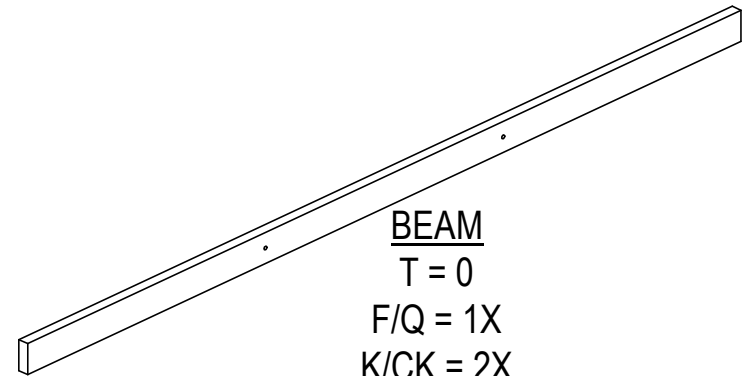


FLAT WAHSER 1/4"
T = 0
F/Q = 2X
K/CK = 4X



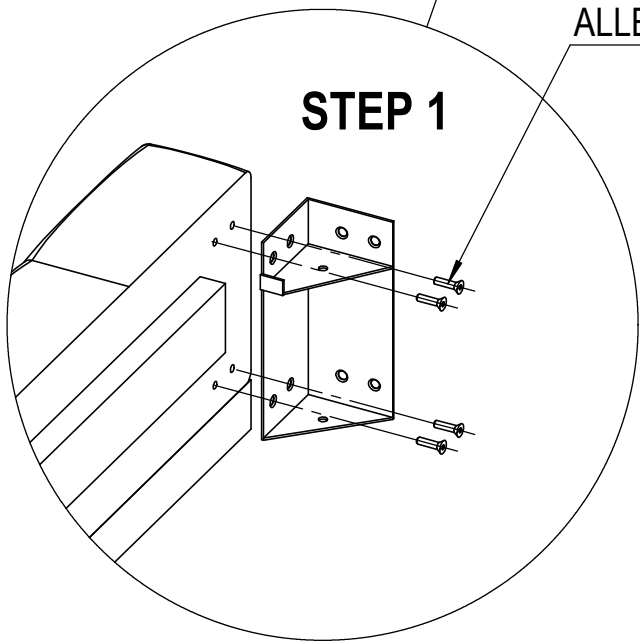
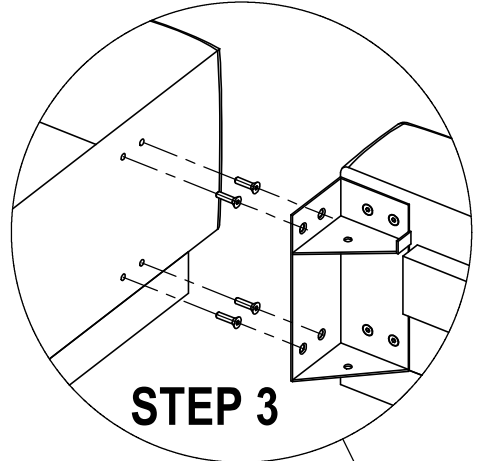
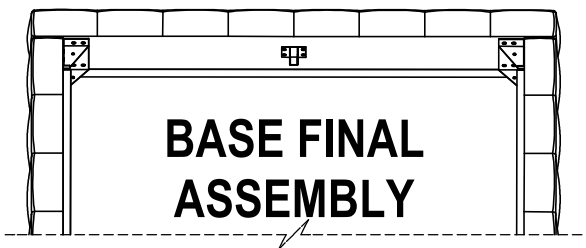
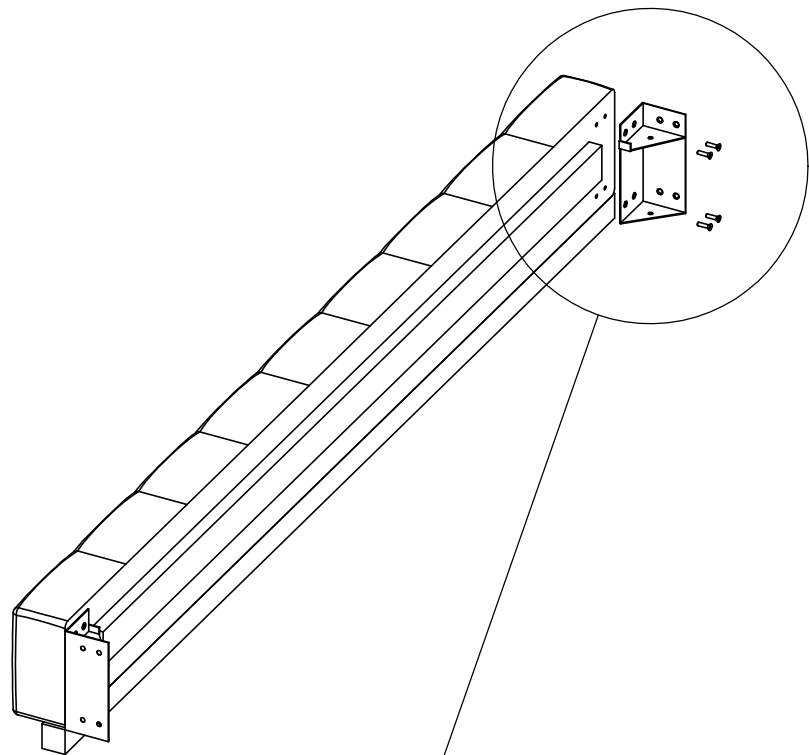
ALLEN KEY = 1

T = TWIN
F/Q = FULL/QUEEN
K/CK = KING/CAL-KING

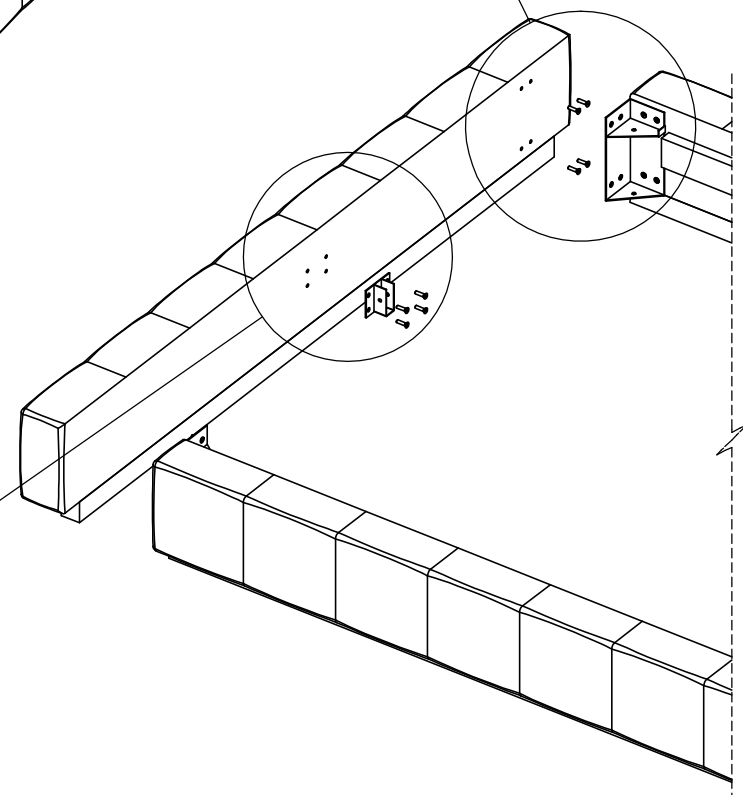
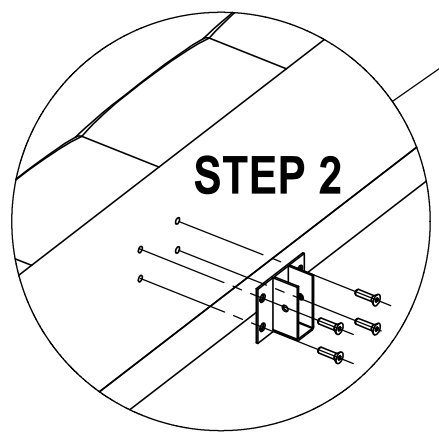
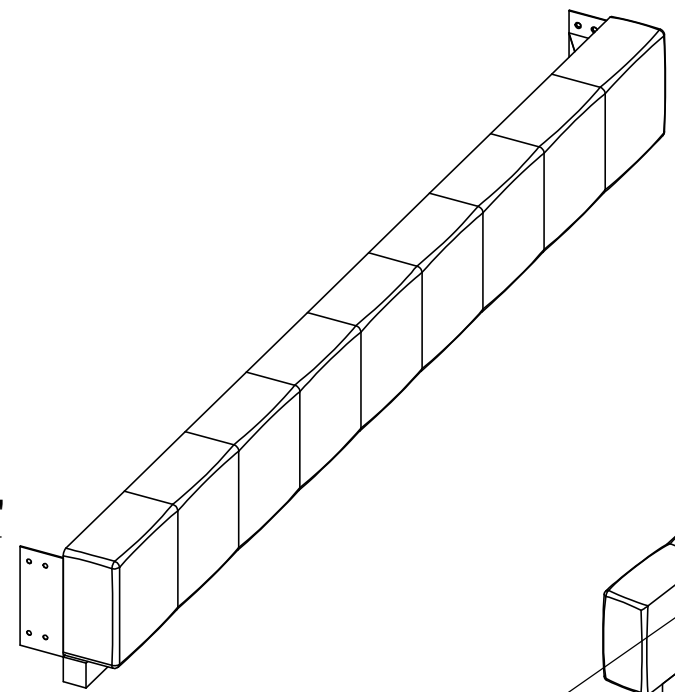


BEAM
T = 0
F/Q = 1X
K/CK = 2X

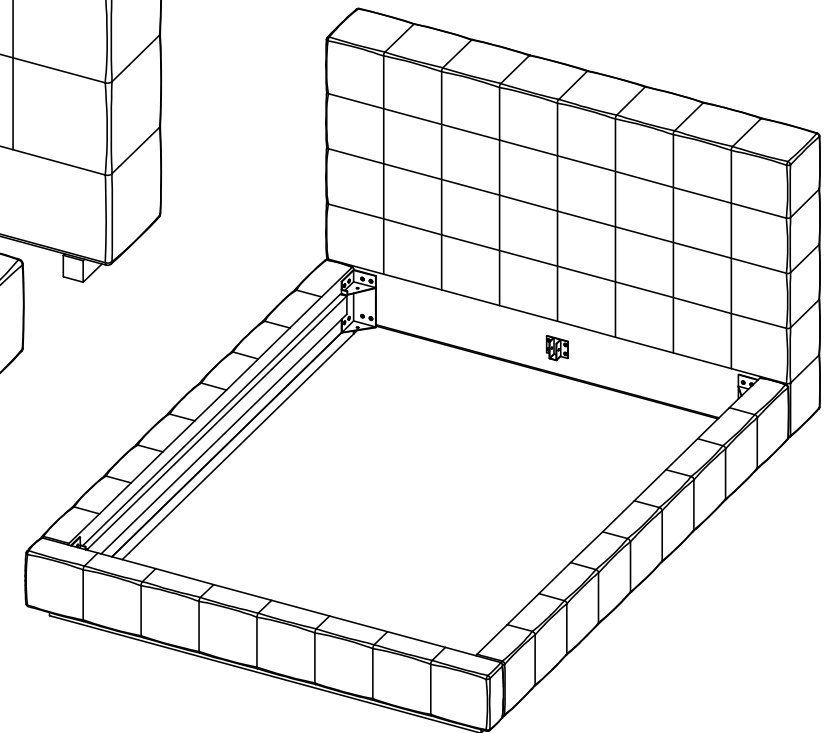
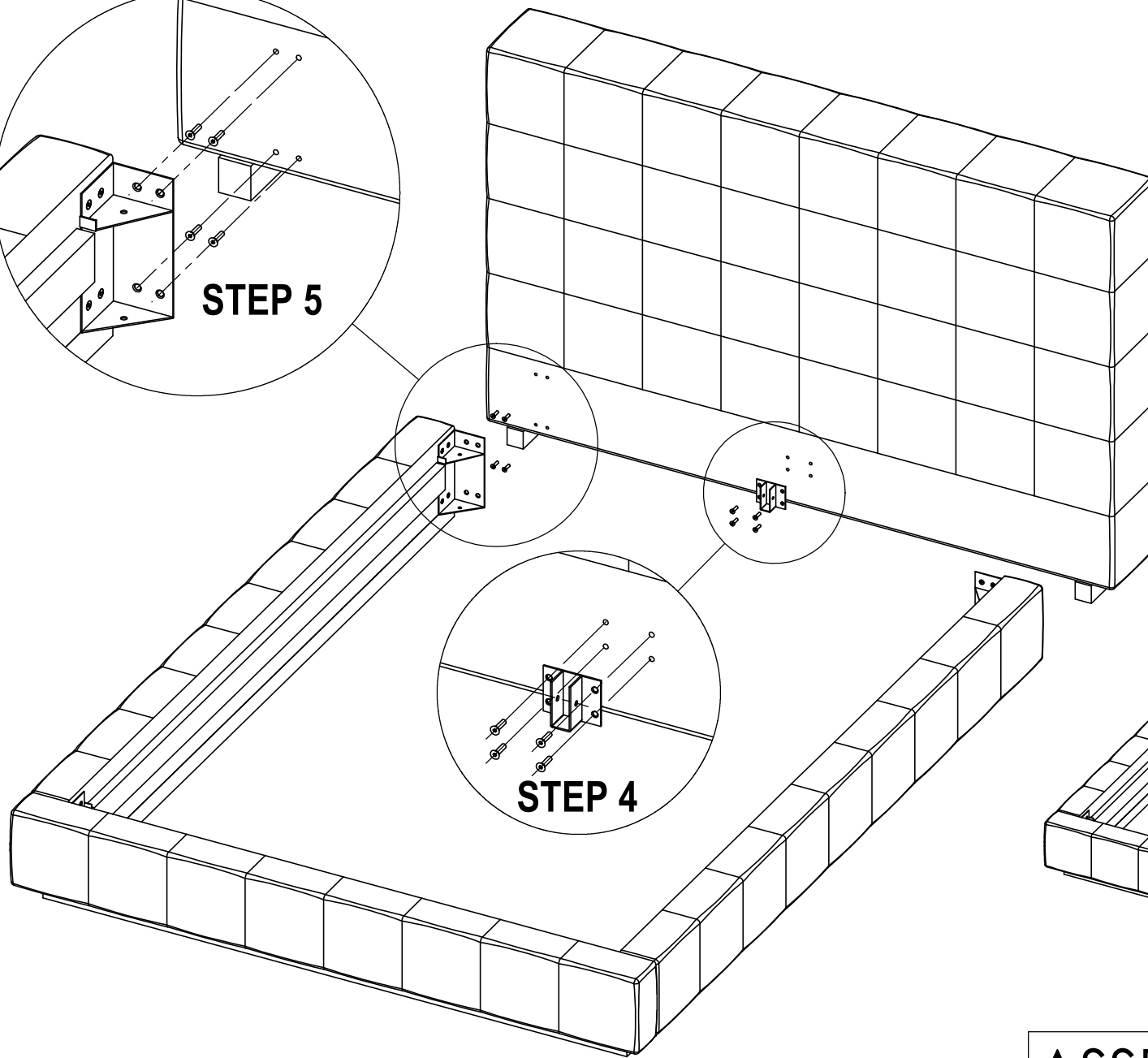
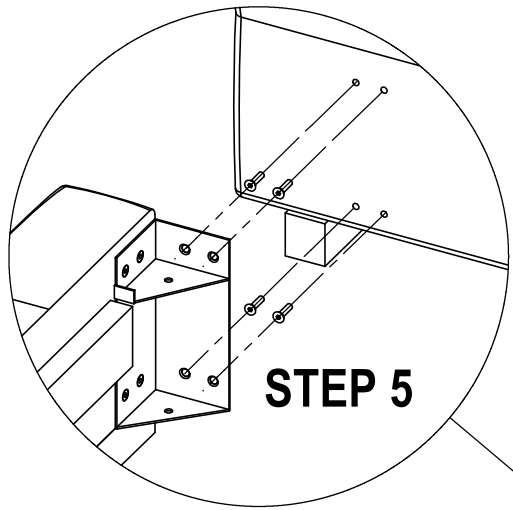
**ASSEMBLY INSTRUCTION
THOMPSON MD321**



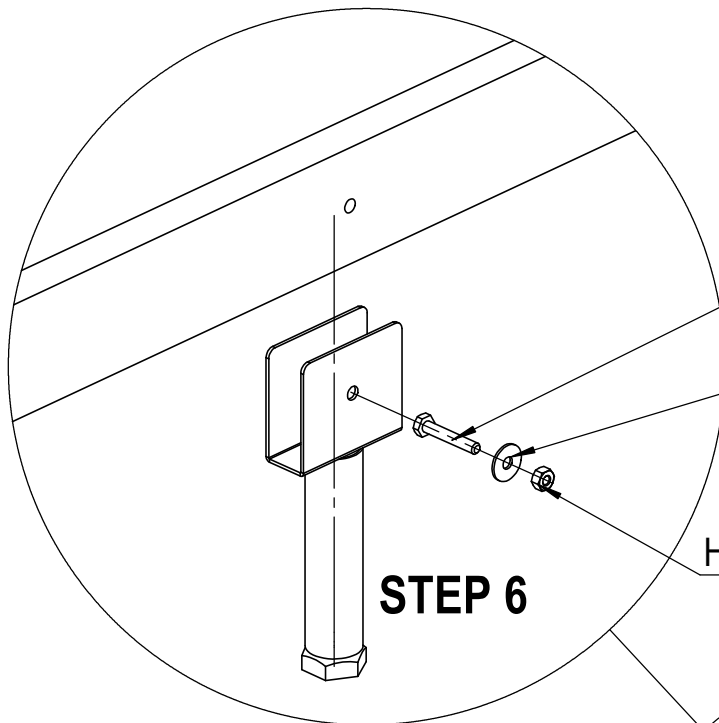
ALLEN 1/4 X1"



ASSEMBLY INSTRUCTION
THOMPSON MD321



ASSEMBLY INSTRUCTION
THOMPSON MD321

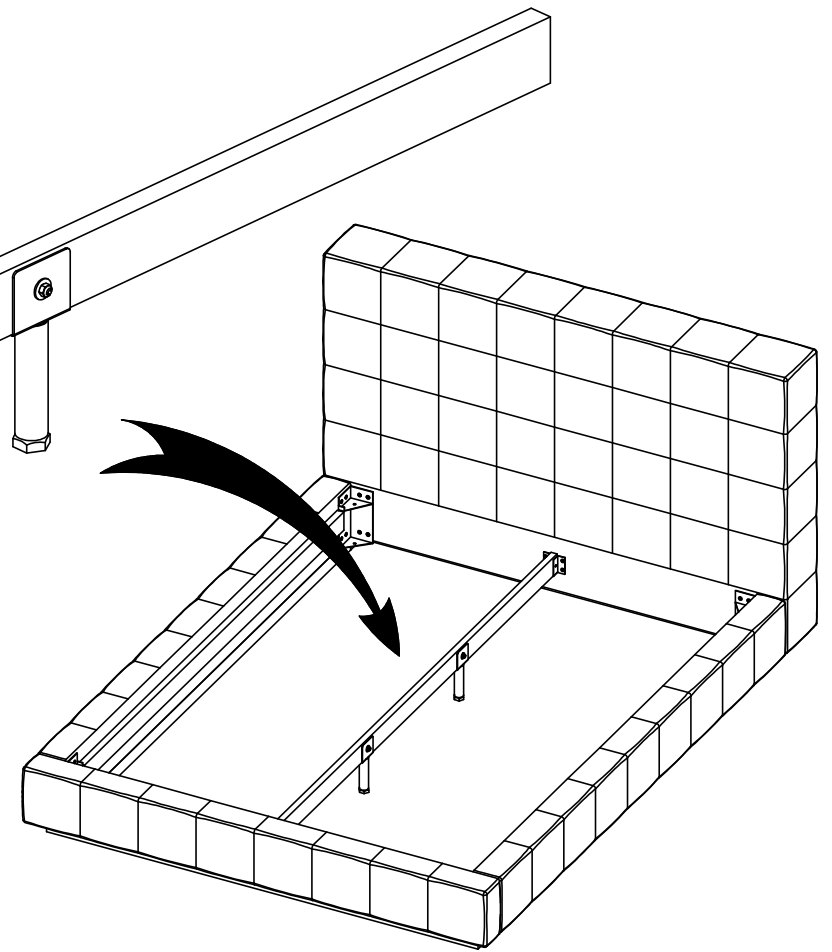
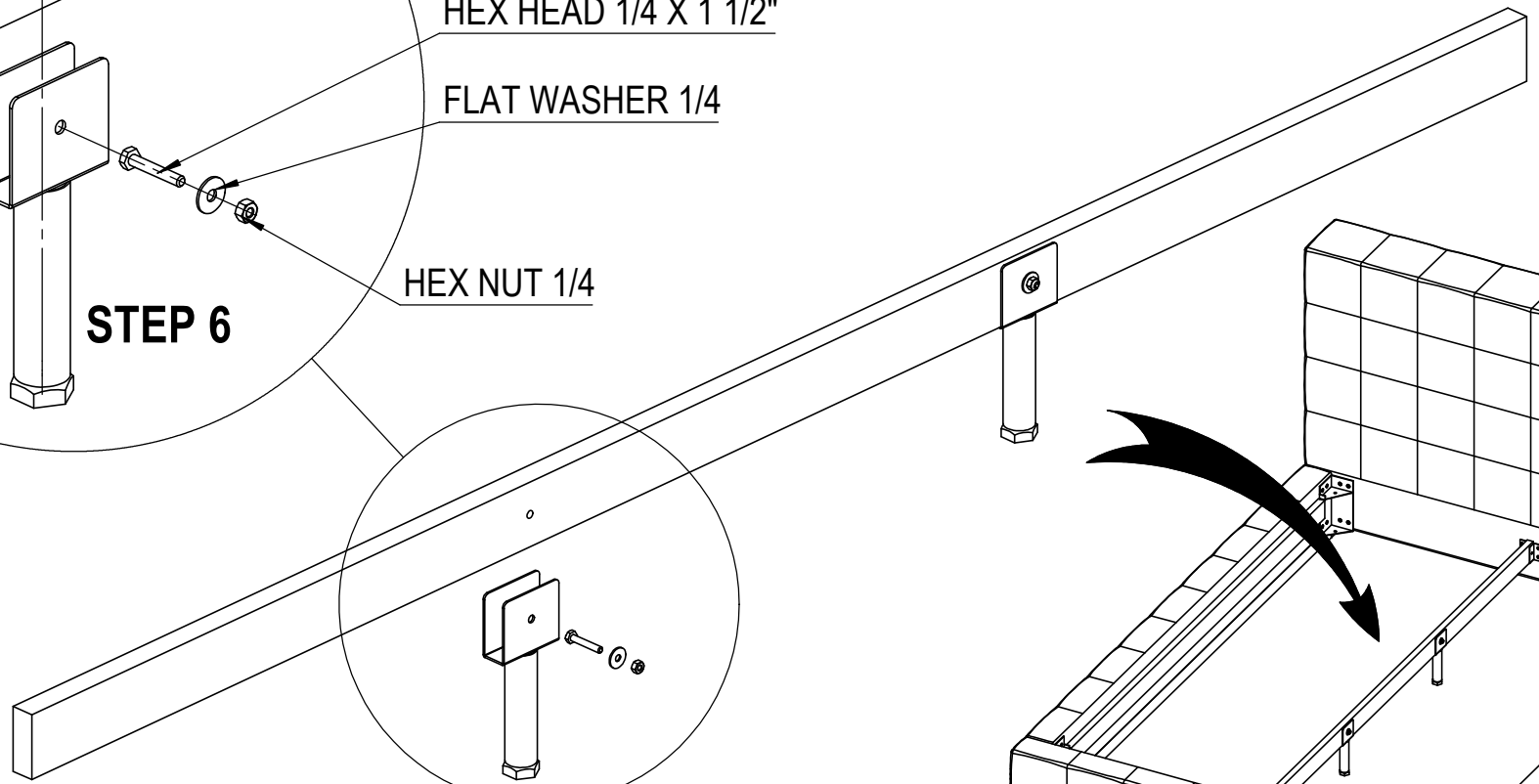
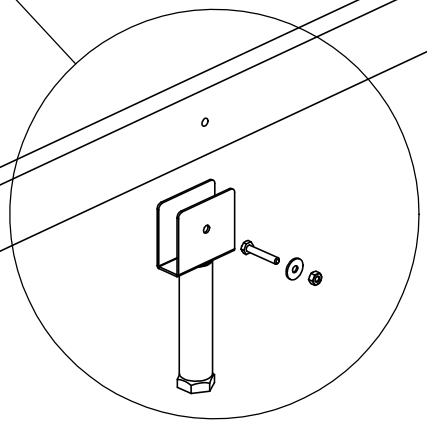


STEP 6

HEX HEAD 1/4 X 1 1/2"

FLAT WASHER 1/4

HEX NUT 1/4



ASSEMBLY INSTRUCTION
THOMPSON MD321