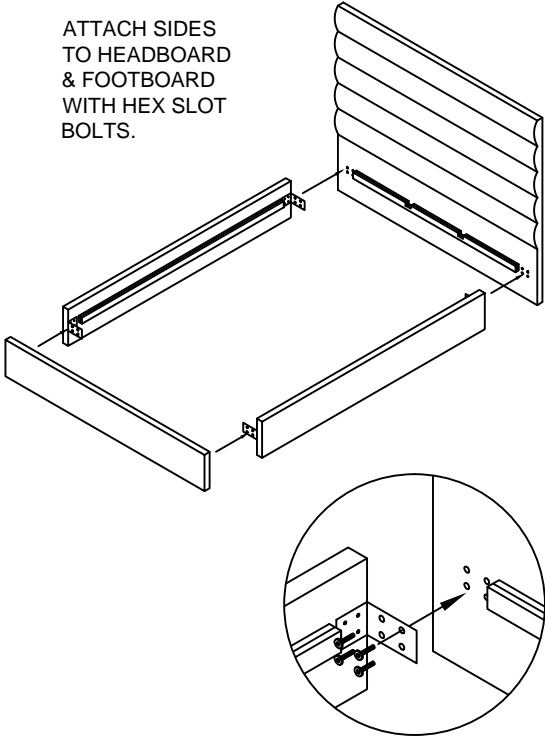


ASSEMBLY INSTRUCTIONS: PRINCE CAL KING

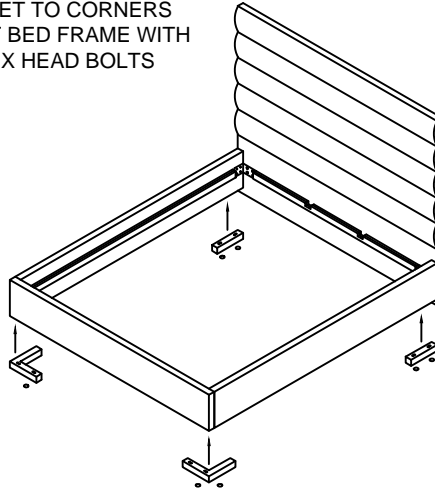
STEP 1:

ATTACH SIDES TO HEADBOARD & FOOTBOARD WITH HEX SLOT BOLTS.

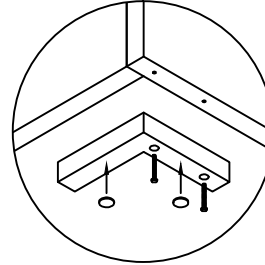


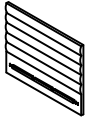
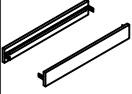
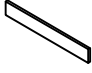
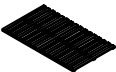


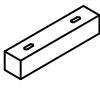
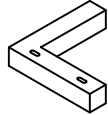


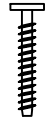
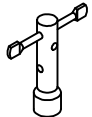

STEP 2:

ATTACH METAL FEET TO CORNERS OF BED FRAME WITH HEX HEAD BOLTS



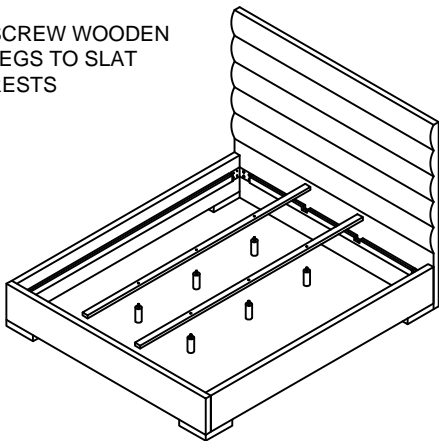
ATTACH FELT PADS TO BOTTOM OF METAL FEET



	HEAD BOARD: 1 PCS
	SIDES: 2 PCS
	FOOT BOARD: 1 PCS
	SLATS: 2 PCS
	SLAT RESTS: 2 PCS
	WOODEN LEGS: 6 PCS
	BACK METAL FEET: 2 PCS
	FRONT METAL FEET: 2 PCS
	ADHESIVE FELT PADS: 8 PCS
	L-SHAPED WRENCH: 1 PCS
	HEX SLOT BOLTS: 16 PCS
	T-SHAPED WRENCH: 1 PCS
	HEX HEAD BOLTS: 8 PCS

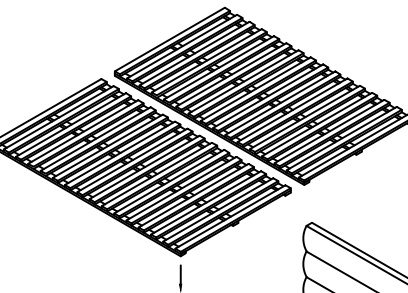
STEP 3:

SCREW WOODEN LEGS TO SLAT RESTS



PLACE SLAT RESTS ONTO GROOVES ON HEADBOARD AND FOOTBOARD

STEP 4:



PLACE SLATS OVER SLAT RESTS.

