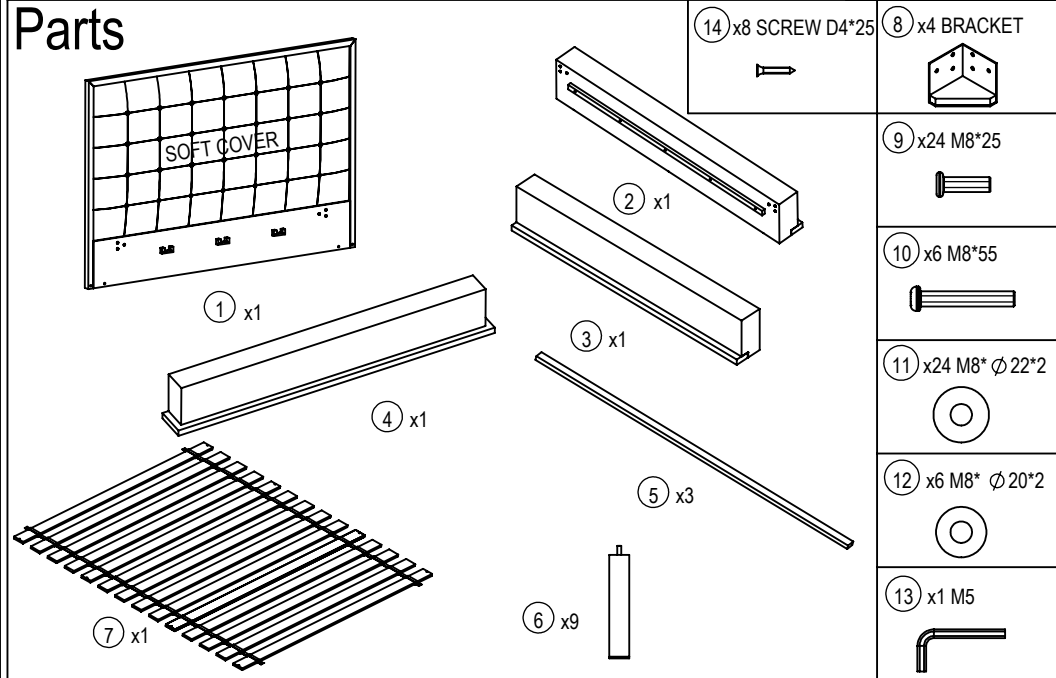
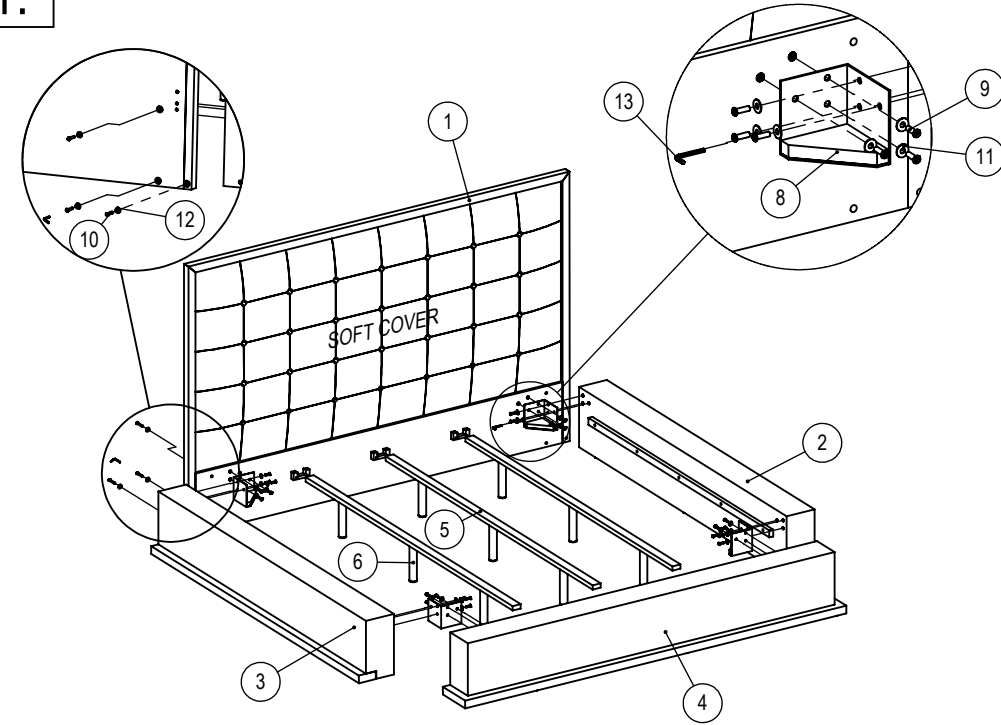


MD317-K Assembly Instructions

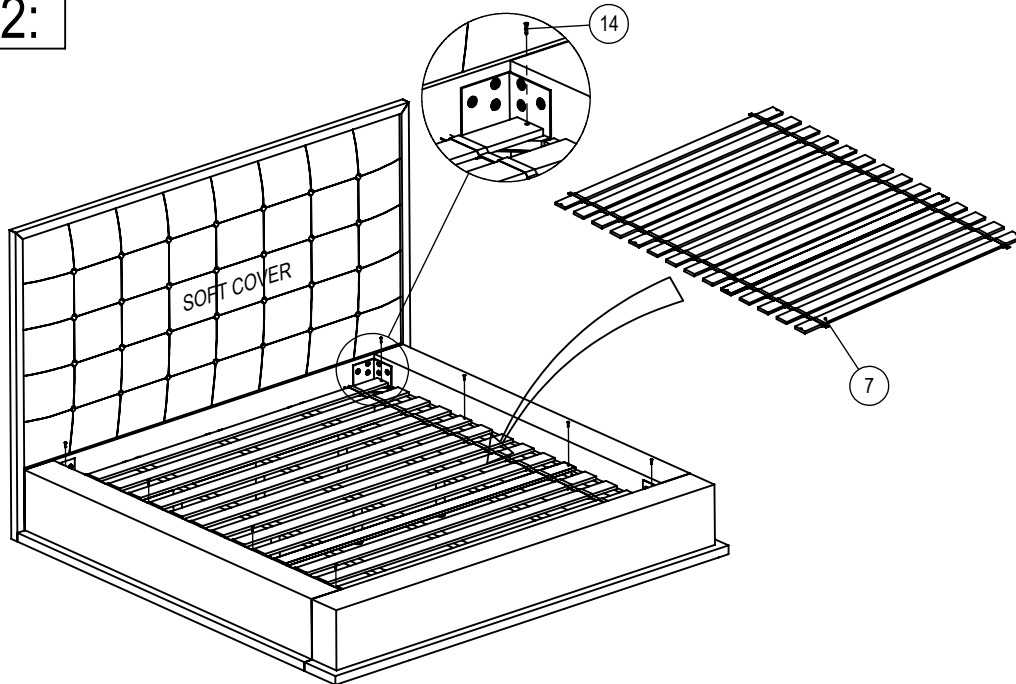
Parts



1:



2:



3:

