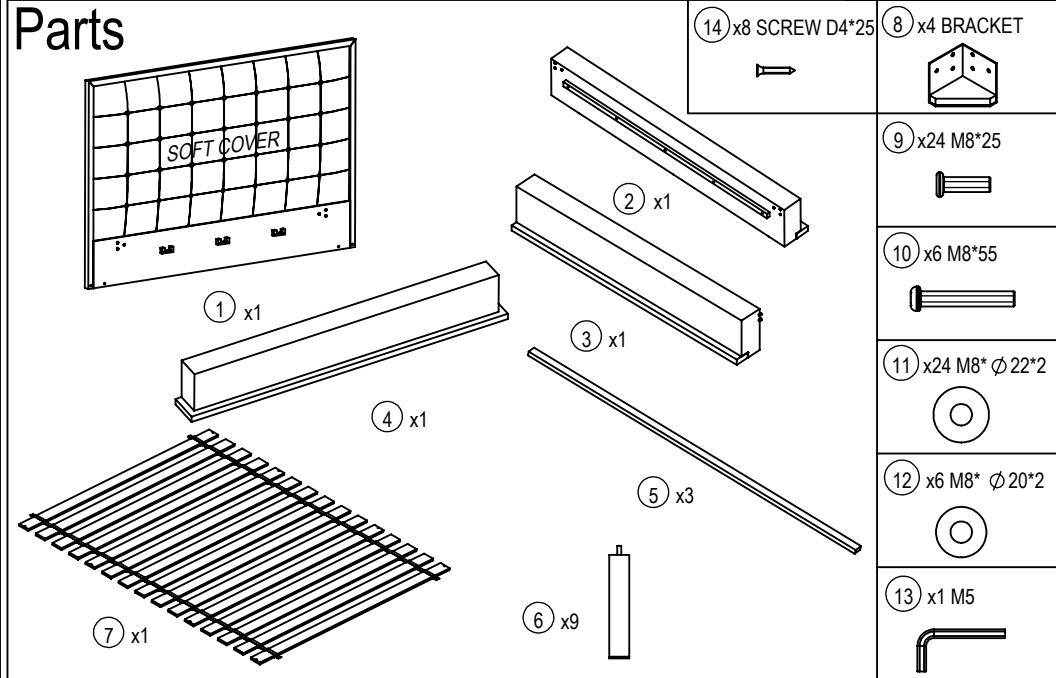
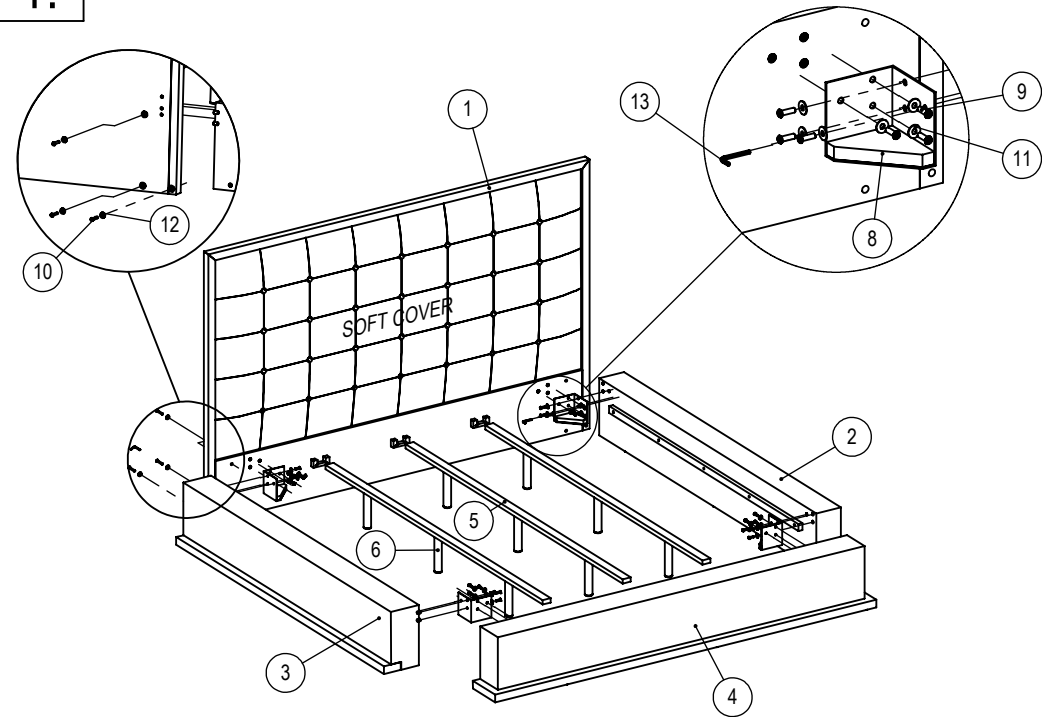


# MD317-CAL.K Assembly Instructions

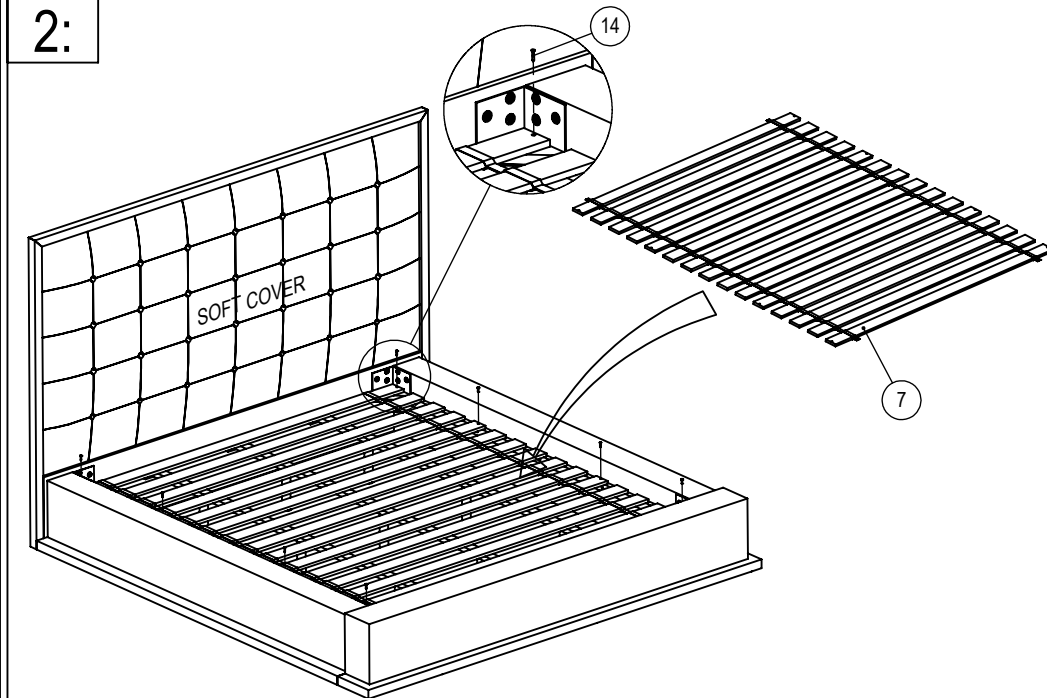
## Parts



## 1:



## 2:



## 3:

