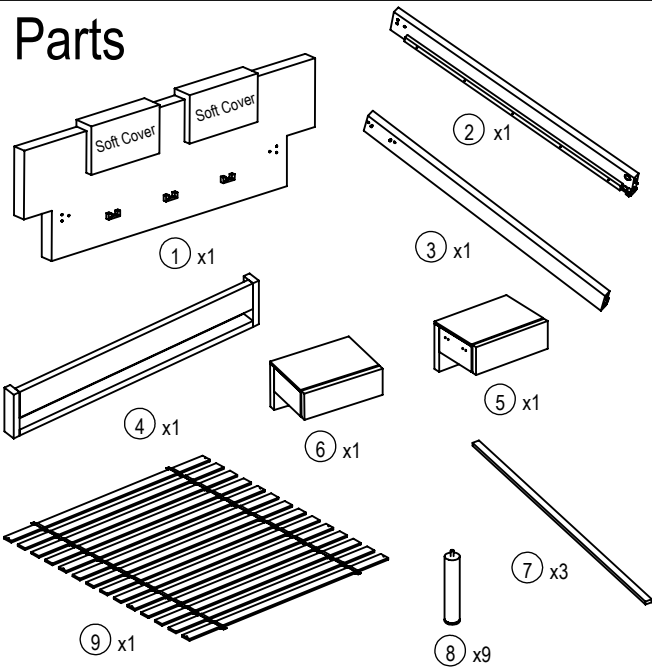


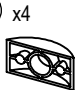
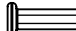
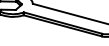


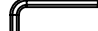





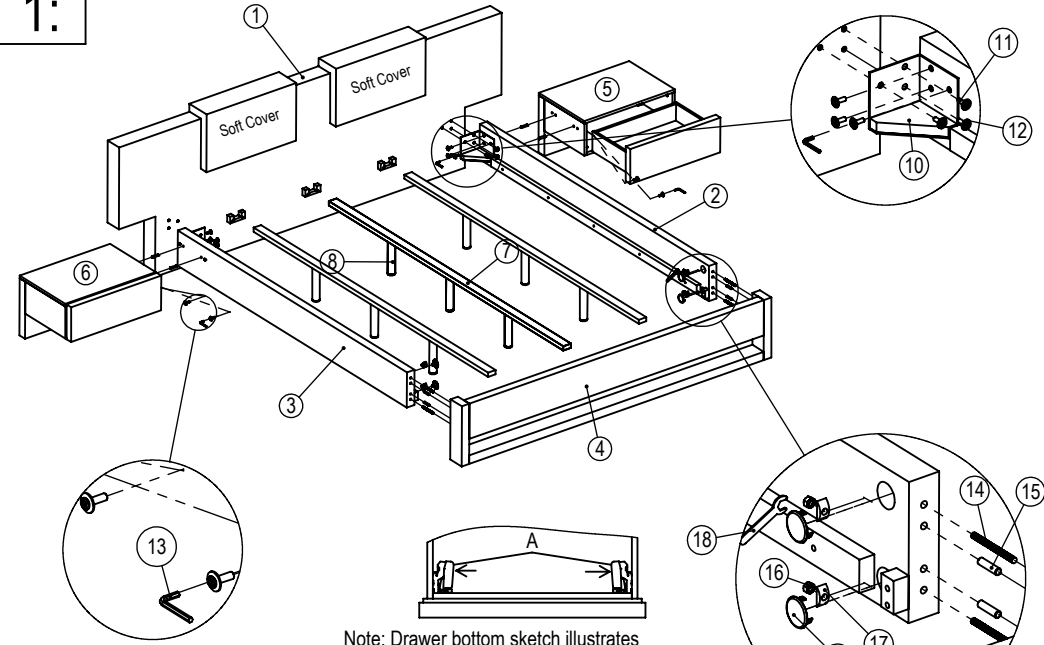
MD316-K Assembly Instructions

Parts

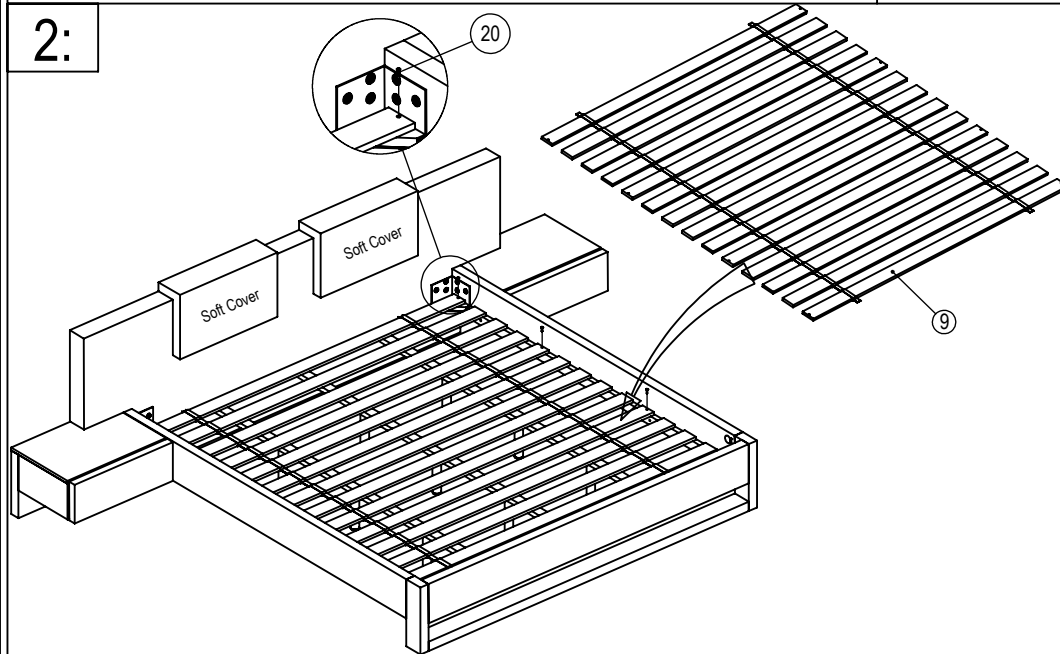


16 x4 M8 	10 x2 BRACKET 
17 x4 	11 x16 M8*25 
18 x1 13mm 	12 x16 M8* Ø22*2 
19 x8 	13 x1 M5 
20 x8 D4*25 	14 x4 M8*80 
	15 x8 Ø10*40 

1:



2:



3:

