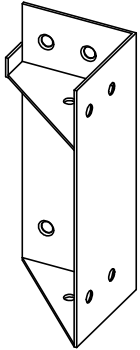
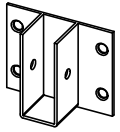


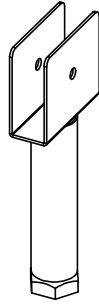
ASSEMBLY INSTRUCTION
BOND MD314



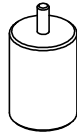
4X



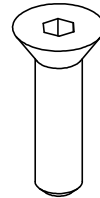
Q = 2X
K/CK = 4X



Q = 2X
K/CK = 4X



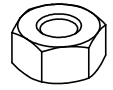
4X



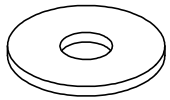
ALLEN 1/4 X1"
Q = 40X
K/CK = 48X



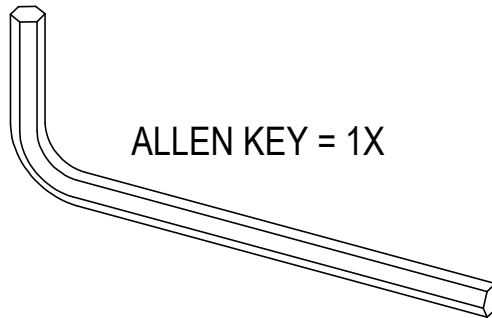
HEX HEAD 1/4 X1 1/2"
Q = 2X
K/CK = 4X



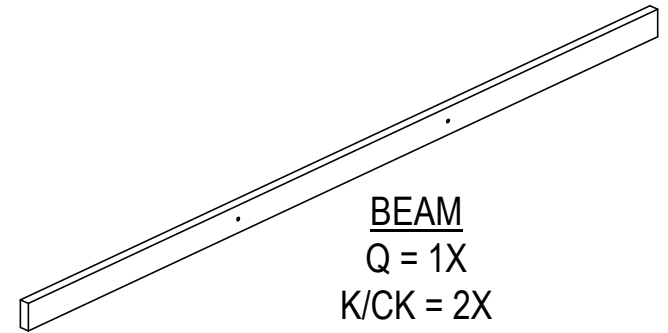
HEX NUT 1/4"
Q = 2X
K/CK = 4X



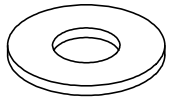
FLAT WASHER 1/4"
Q = 2X
K/CK = 4X



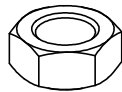
ALLEN KEY = 1X



BEAM
Q = 1X
K/CK = 2X



FLAT WASHER 5/16"
4X

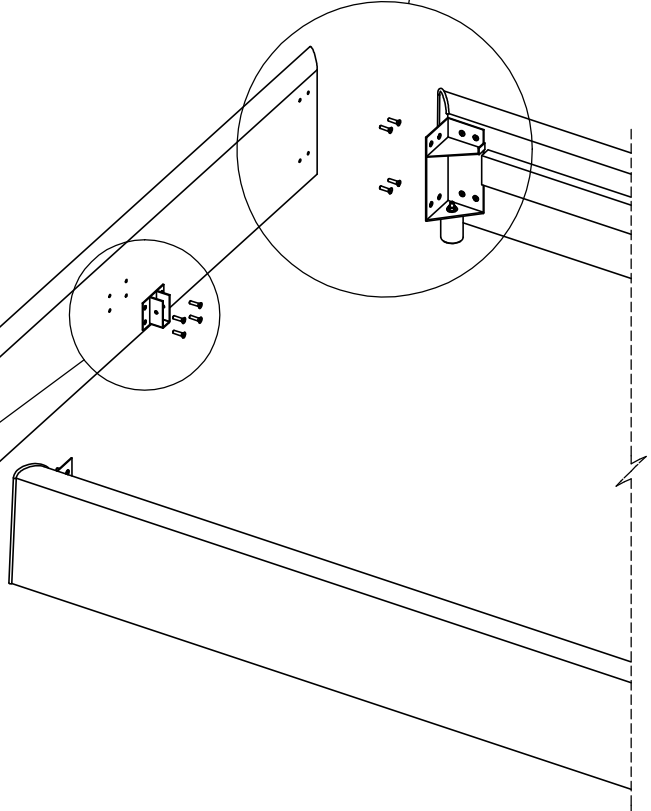
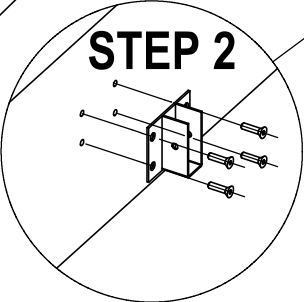
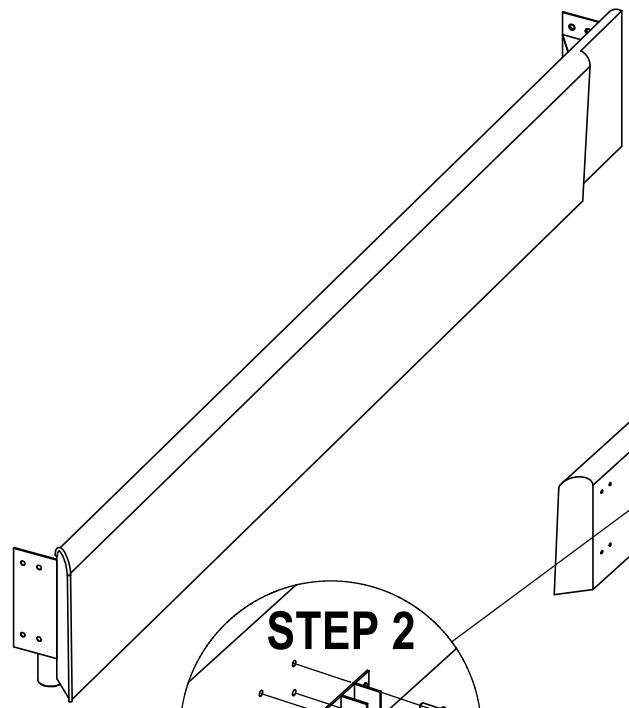
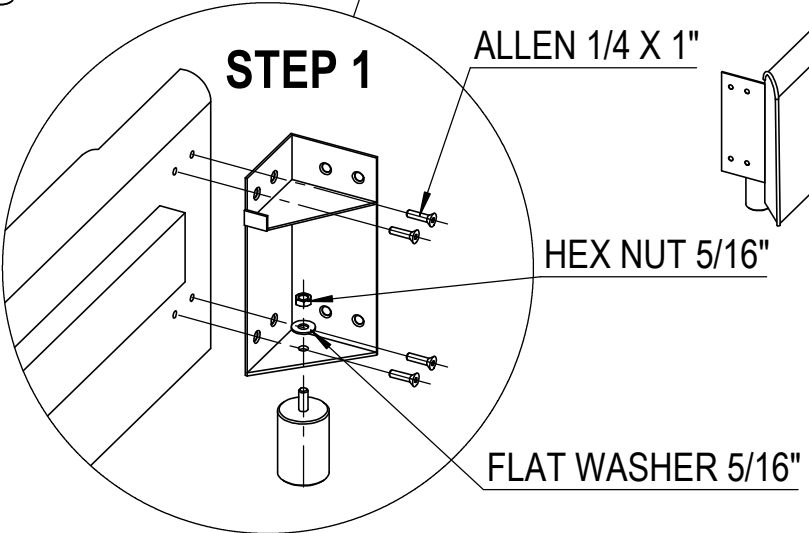
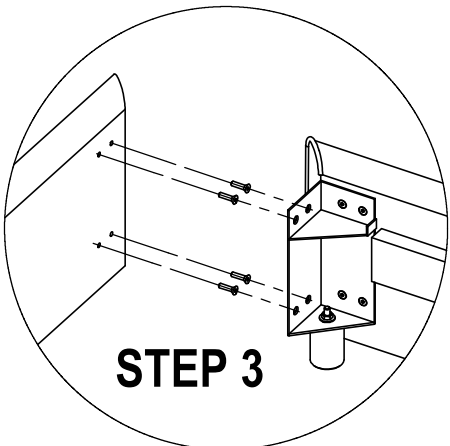
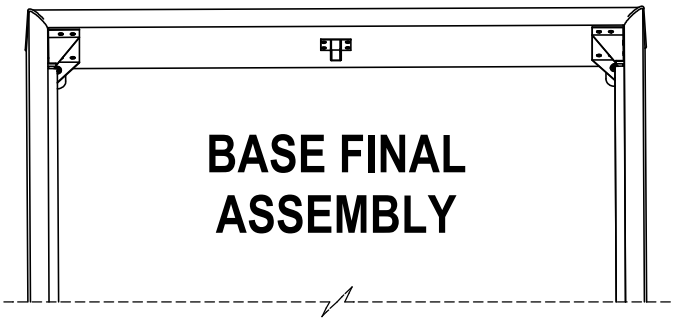
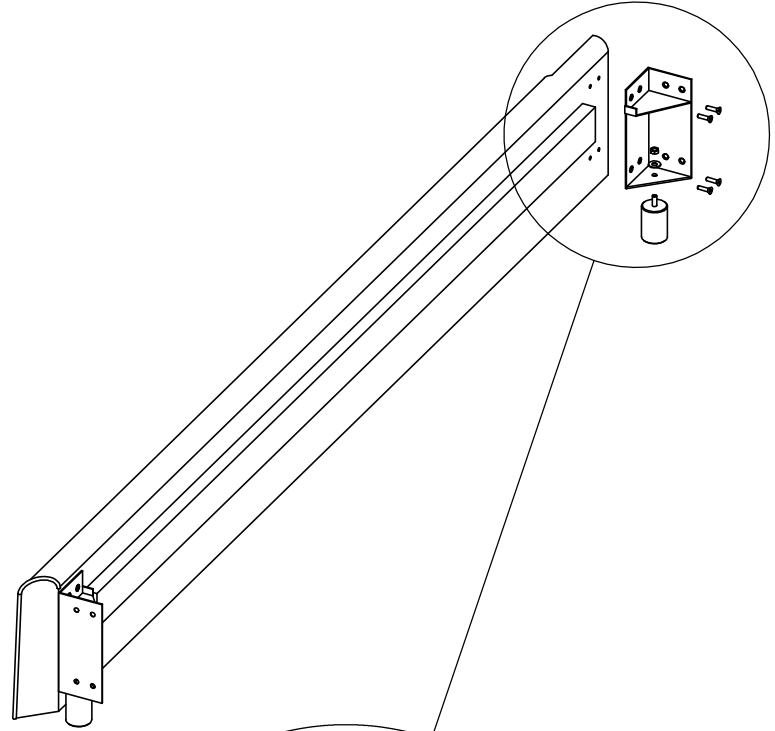


HEX NUT 5/16"
4X

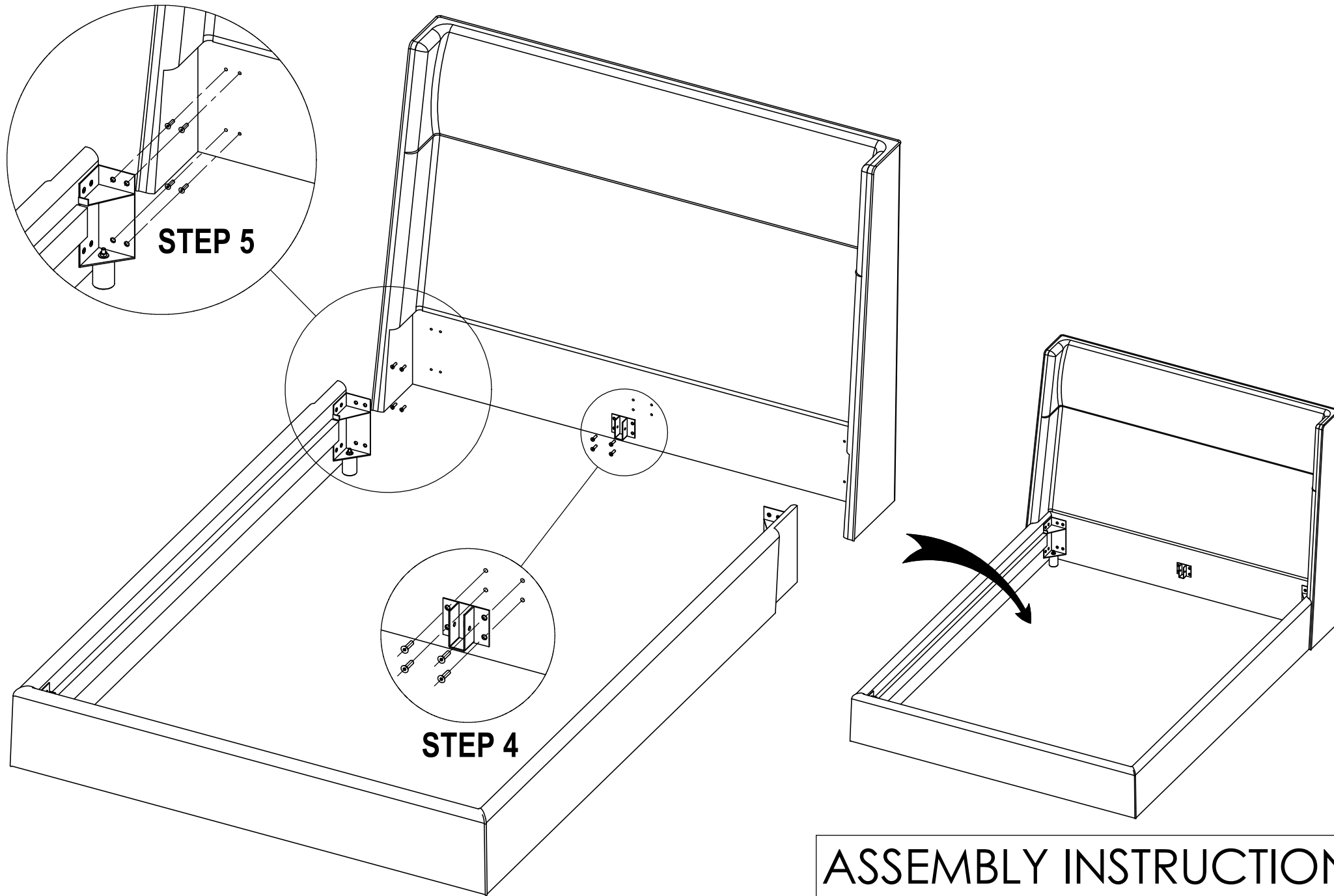
Q = QUEEN
K/CK = KING/CAL-KING

ASSEMBLY INSTRUCTION BOND MD314

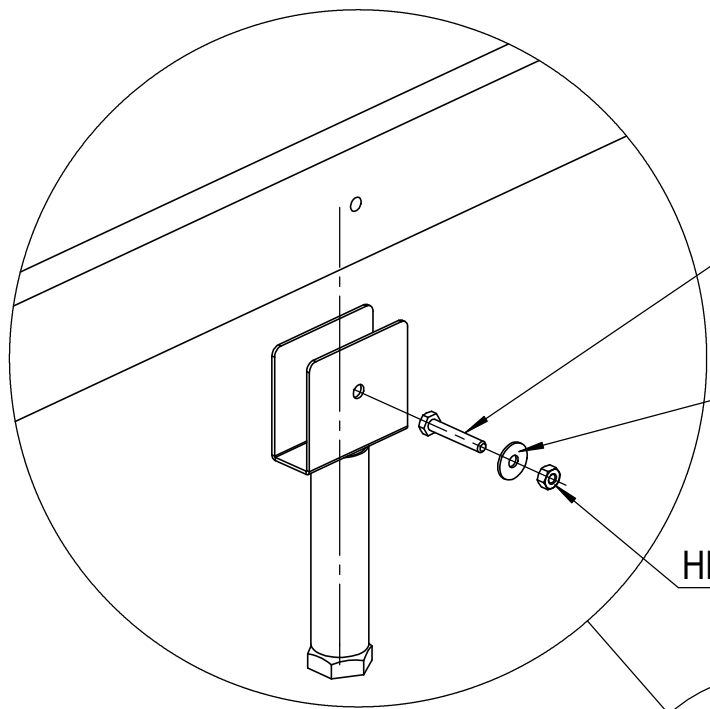
BASE FINAL ASSEMBLY



ASSEMBLY INSTRUCTION BOND MD314



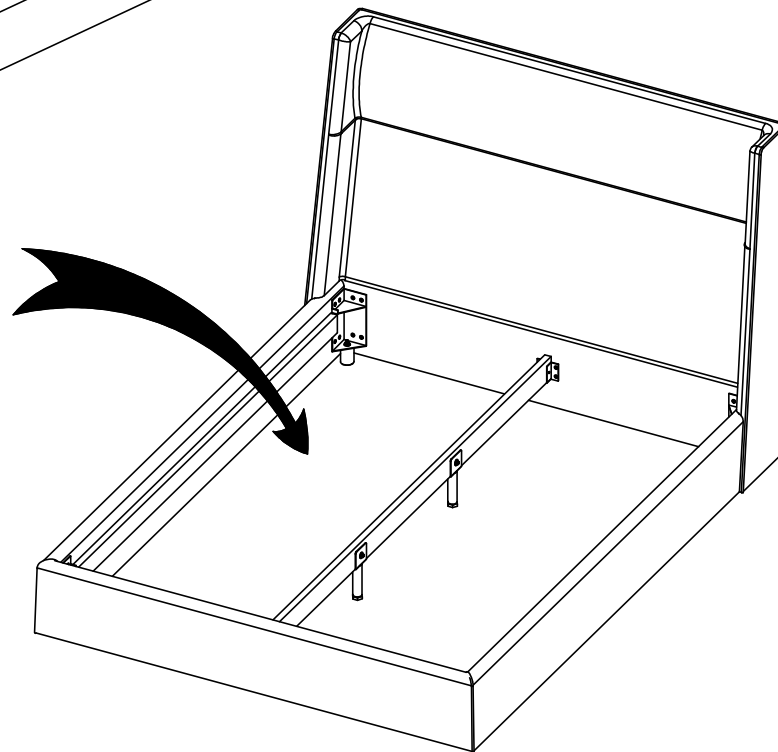
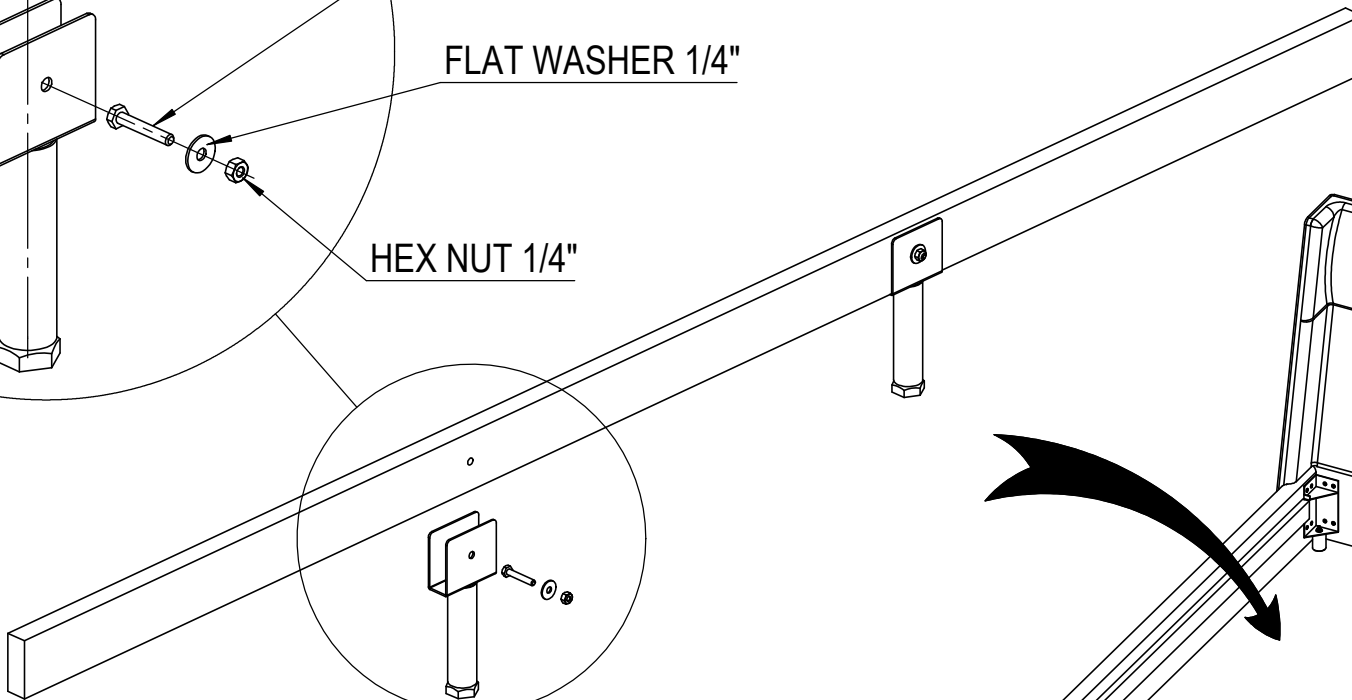
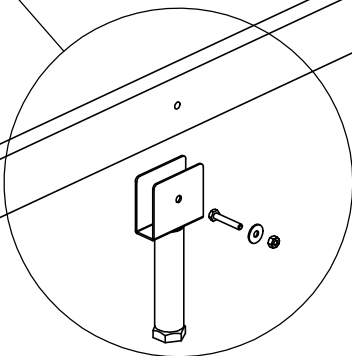
ASSEMBLY INSTRUCTION
BOND MD314



HEX HEAD 1/4 X 1 1/2"

FLAT WASHER 1/4"

HEX NUT 1/4"



ASSEMBLY INSTRUCTION
BOND MD314