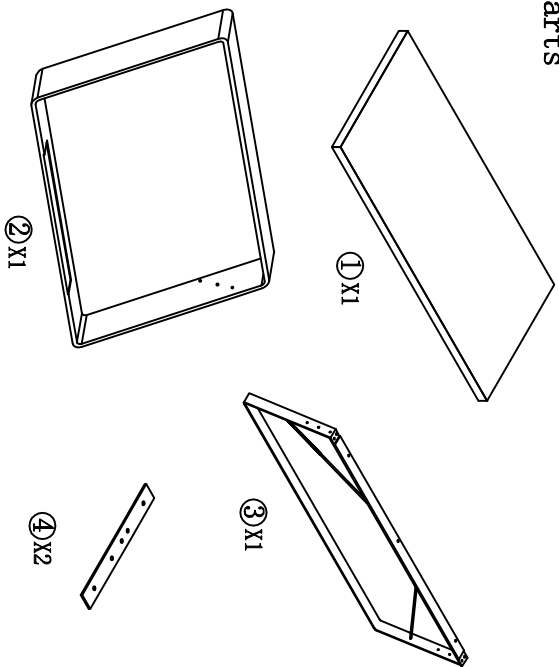


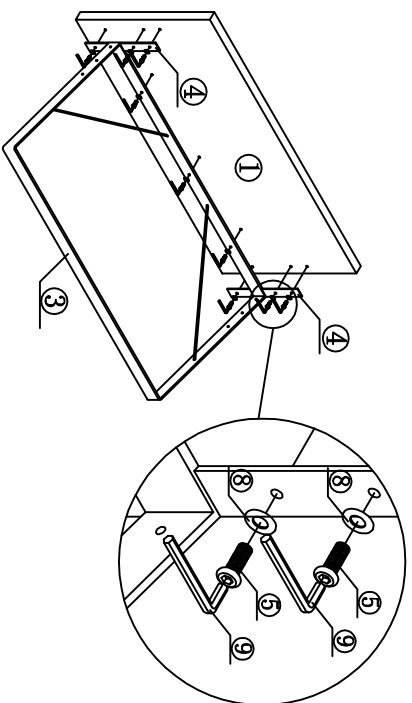
MD159 Assembly Instructions

Parts

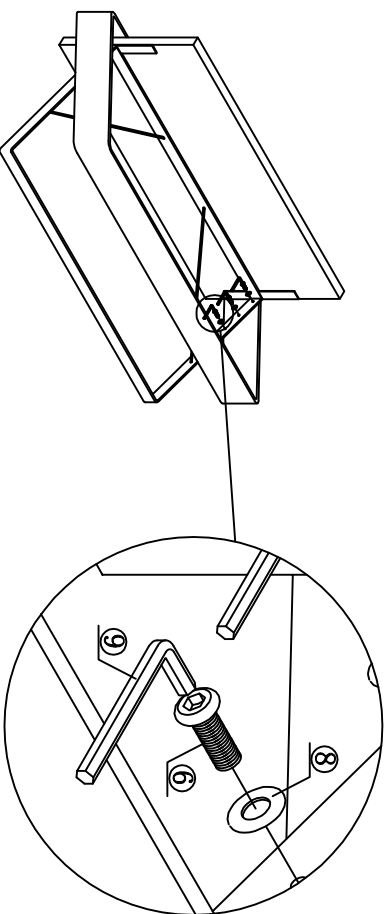


⑤ X9	M6*30	
⑥ X6	M6*20	
⑦ X4	M6*10	
⑧ X15	φ 17*φ 8*1	
⑨ X1	4mm	

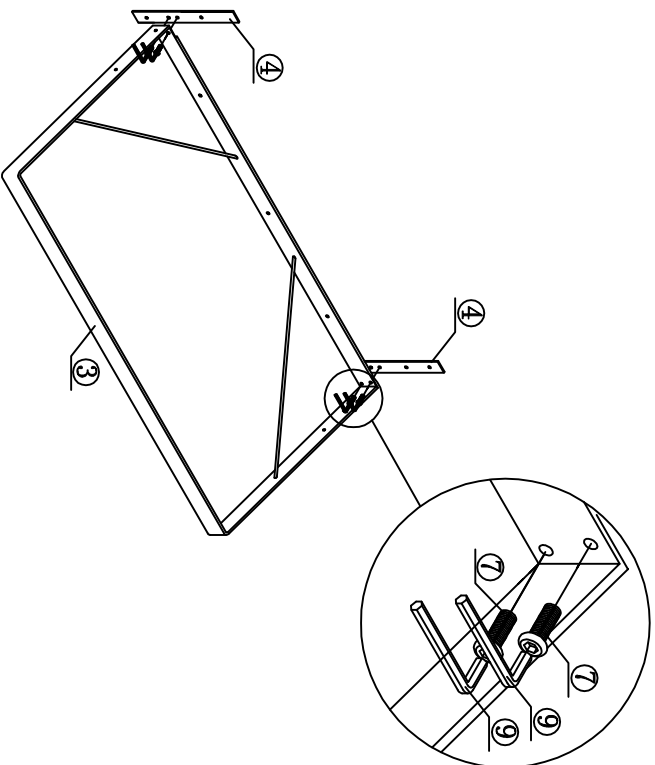
2:



3:



1:



4:

