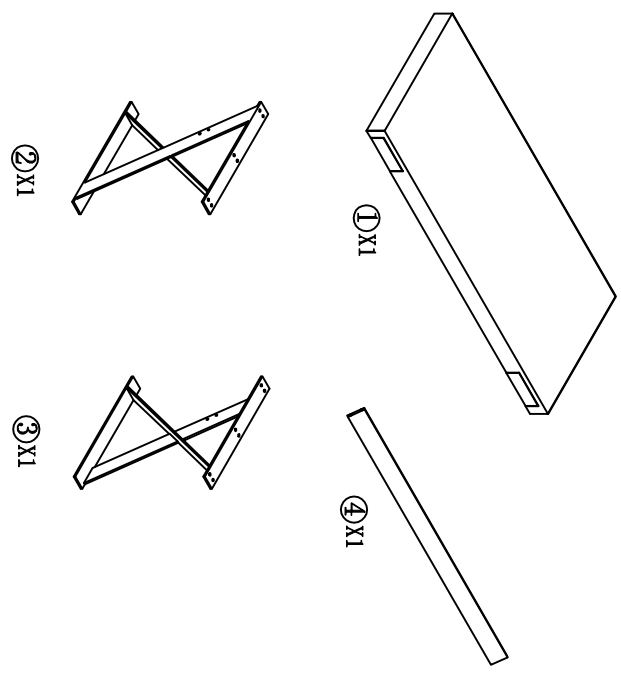


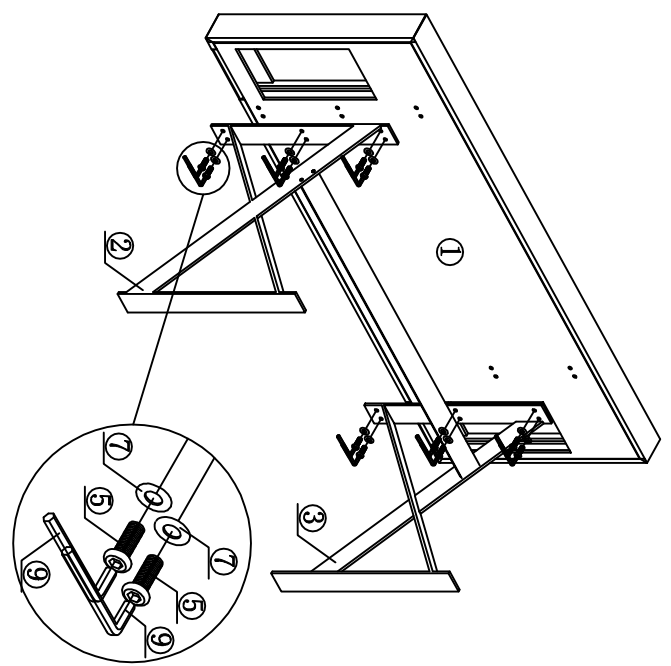
# MD157 Assembly Instructions

Parts

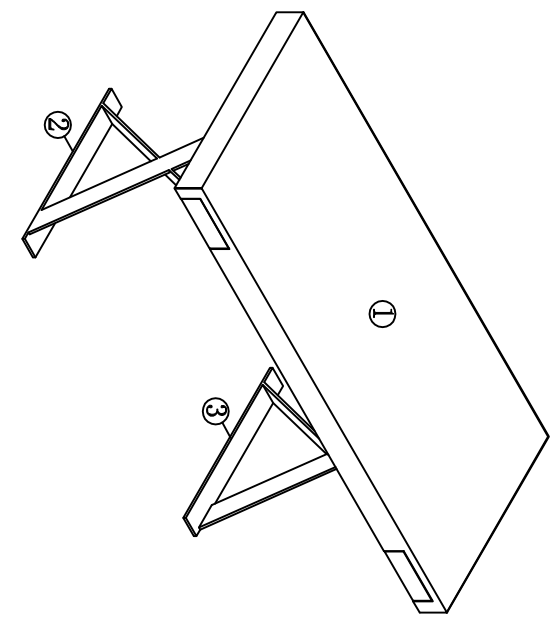


⑤ X12	M8*30	
⑥ X4	M6*20	
⑦ X12	φ 17*φ 8*2	
⑧ X4	φ 13*φ 7*1	
⑨ X1	5mm	
⑩ X1	4mm	

1:



2:



2:

