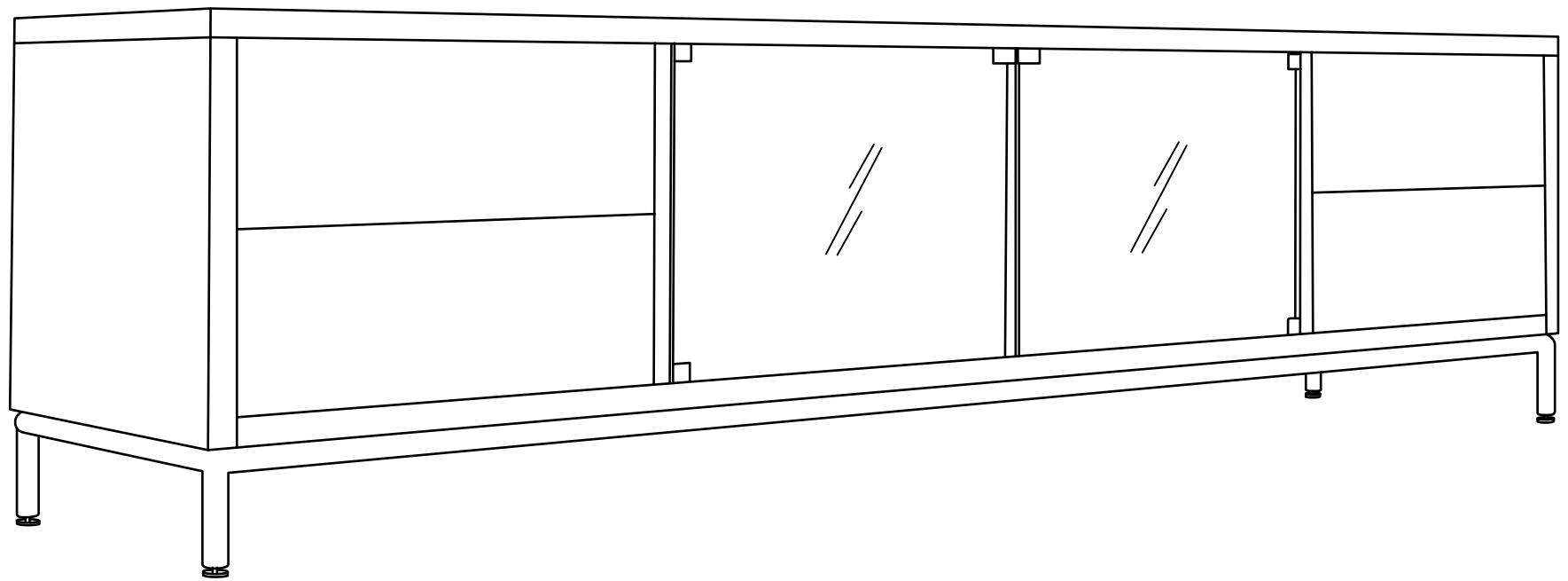


LENOX



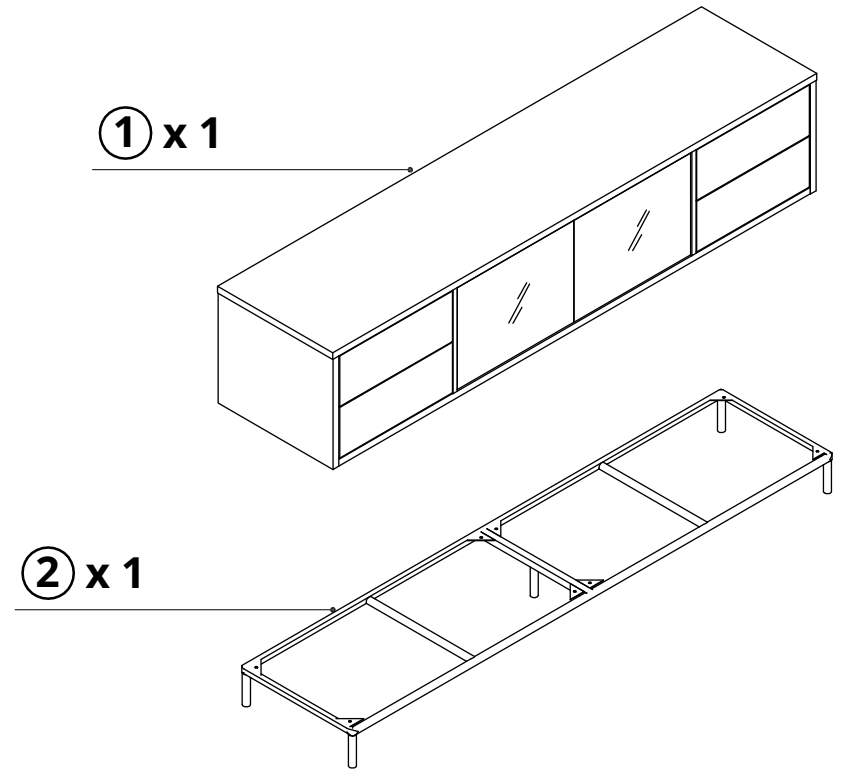
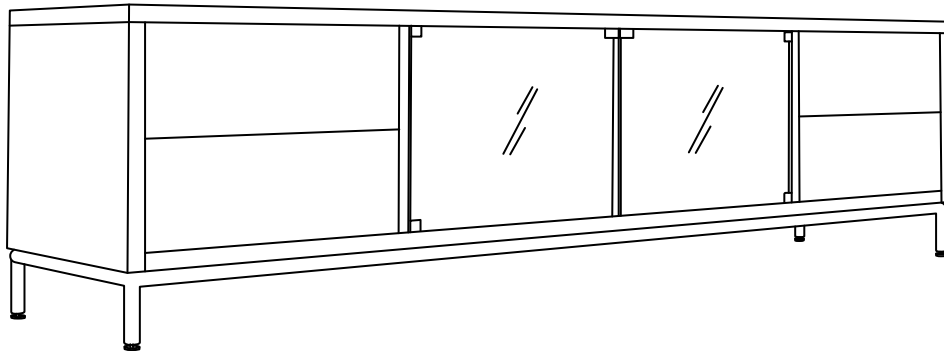
MODLOFT



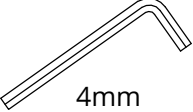


ASSEMBLY INSTRUCTION

LENOX LD05

PARTS



HARDWARE		TOOL
		
M6x20 mm	φ13xφ7x1	4mm
A x 8	B x 8	C x 1



ASSEMBLY INSTRUCTION

LENOX LD05

