


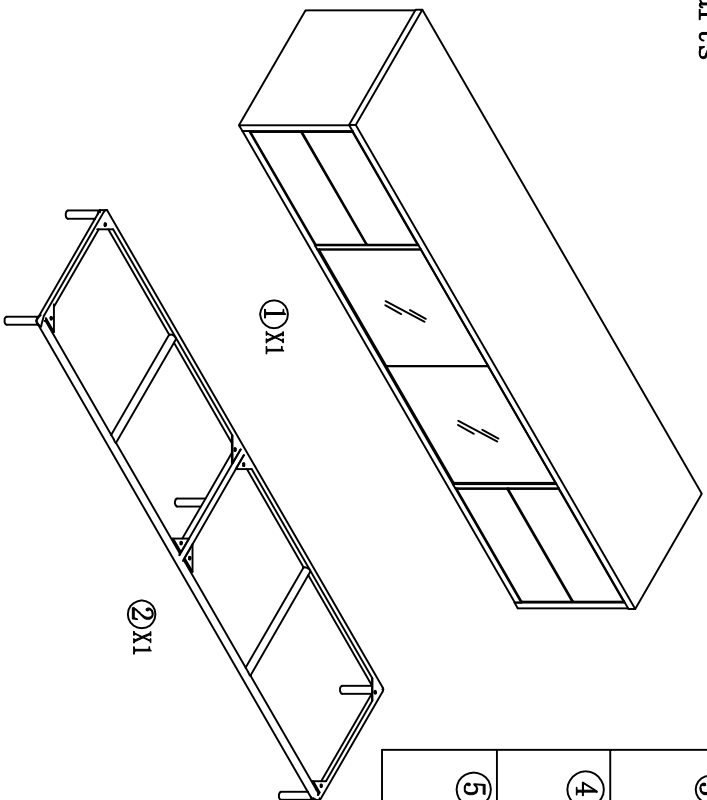


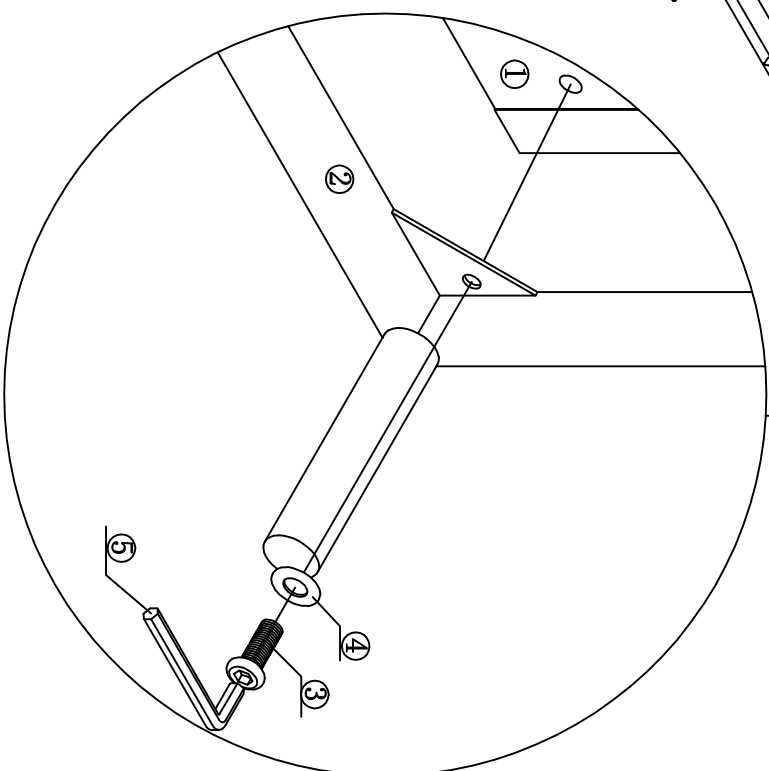
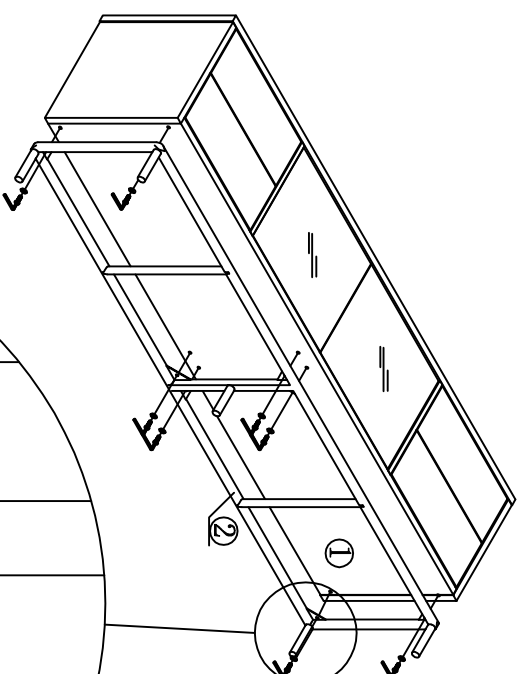
LD05 Assembly Instructions

Parts

③ X8	M6*20	
④ X8	$\phi 13 * \phi 7 * 1$	
⑤ X1	4mm	



1:



2:

