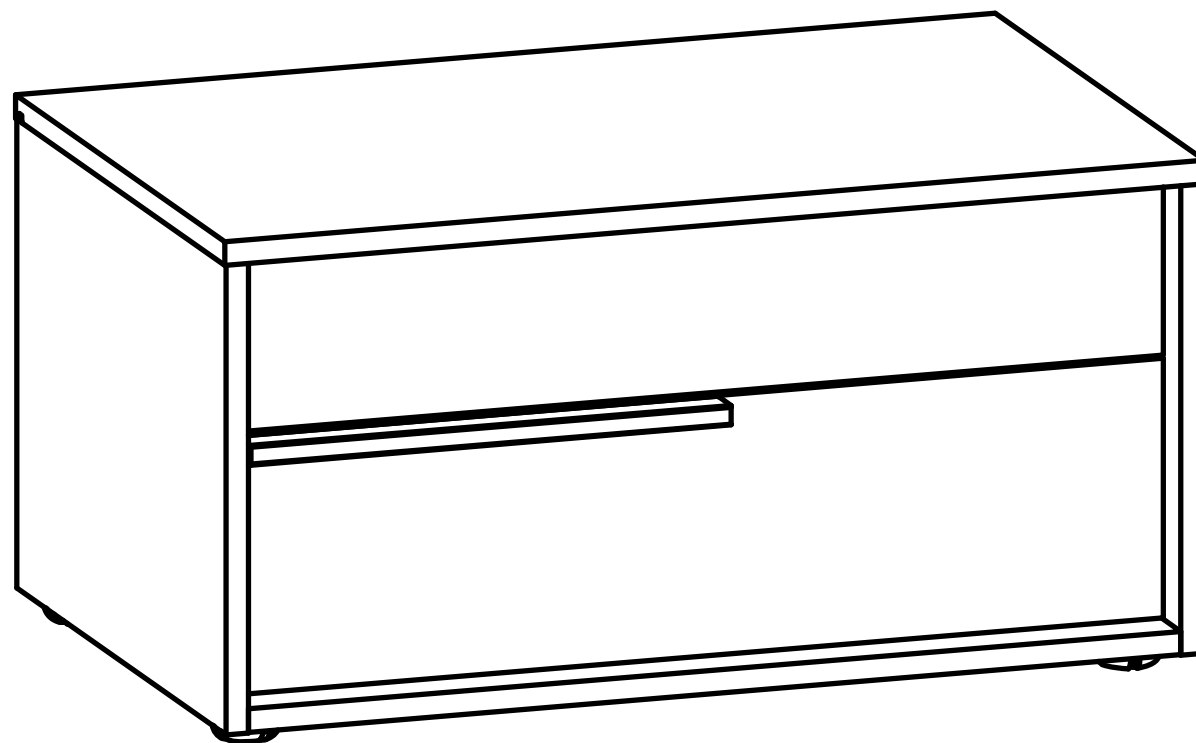


JANE



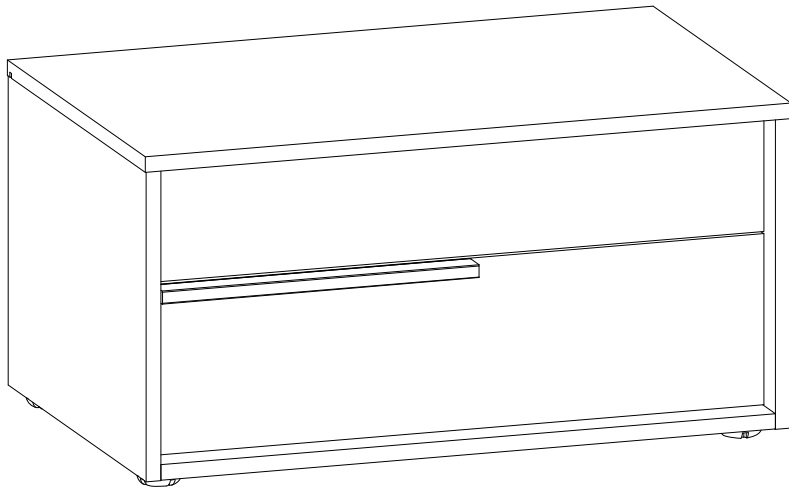
MODLOFT



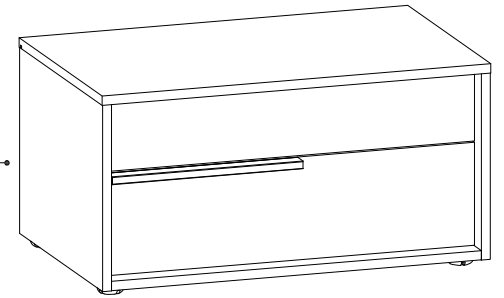
ASSEMBLY INSTRUCTION

MD323-NS

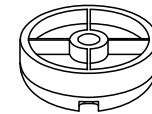
PARTS



① x 1



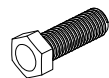
② x 4



③ x 4



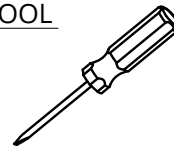
HARDWARE



M8x25mm

Ⓐ x 4

TOOL



Ⓑ x 1



ASSEMBLY INSTRUCTION

MD323-NS

STEP 1

