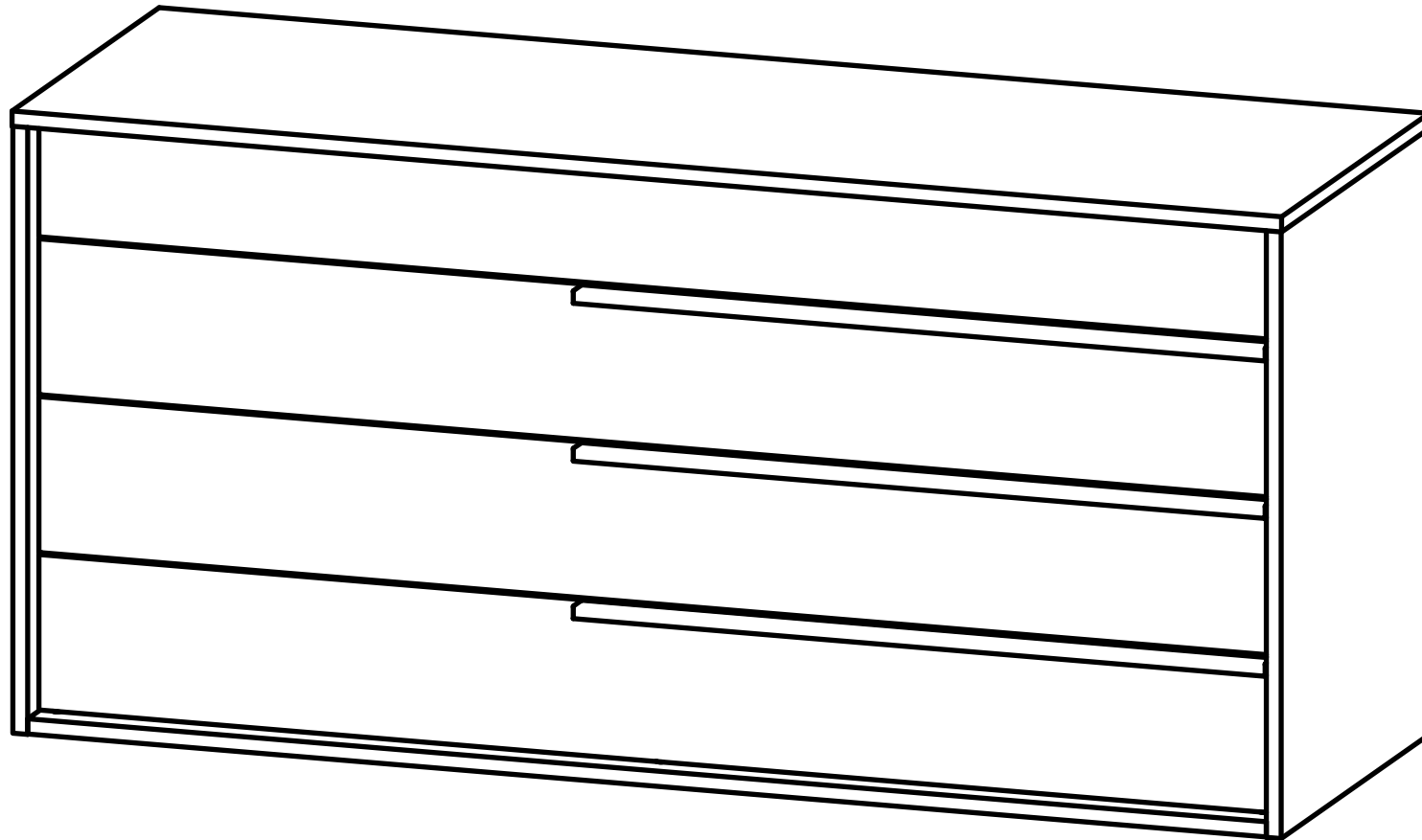


JANE



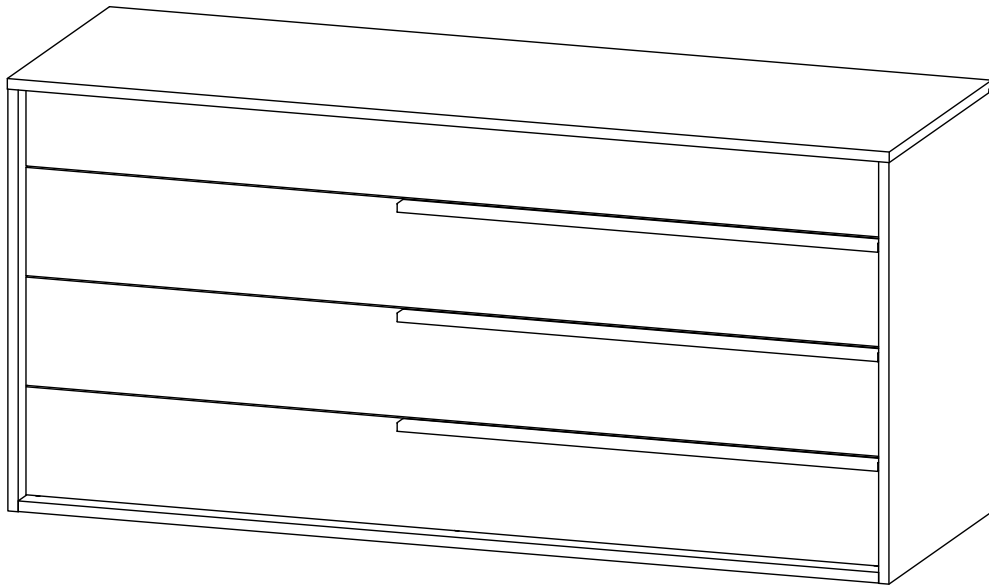
MODLOFT



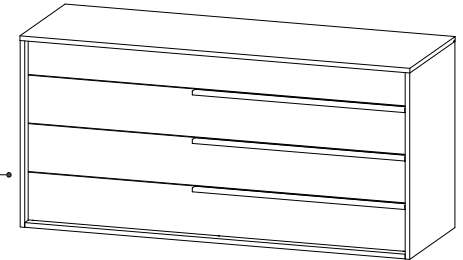
ASSEMBLY INSTRUCTION

MD323-DR

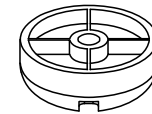
PARTS



① x 1



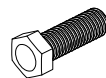
② x 6



③ x 6



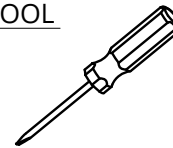
HARDWARE



M8x25mm

Ⓐ x 6

TOOL



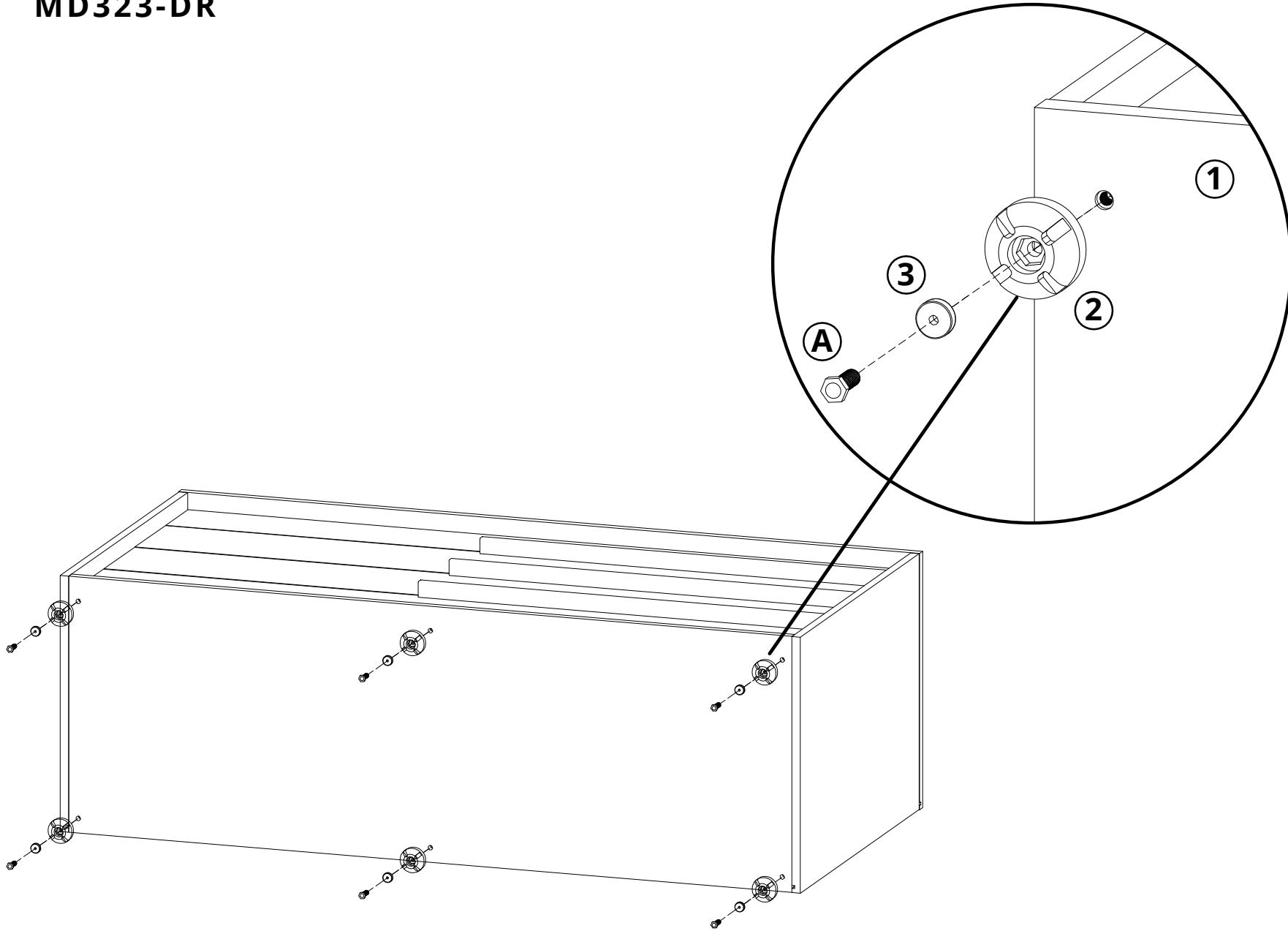
Ⓑ x 1



ASSEMBLY INSTRUCTION

MD323-DR

STEP 1





ASSEMBLY INSTRUCTION

MD323-DR

STEP 2

