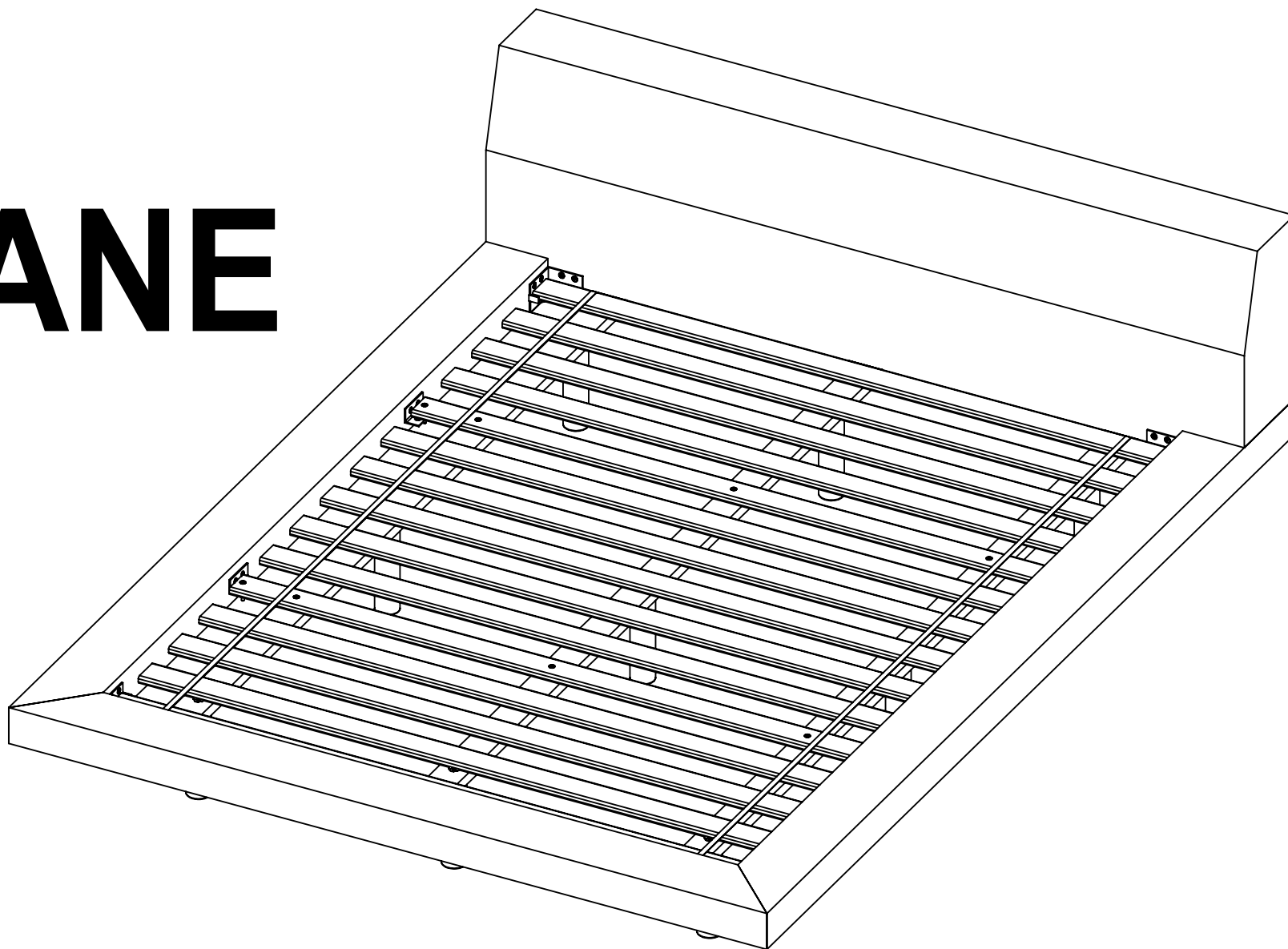
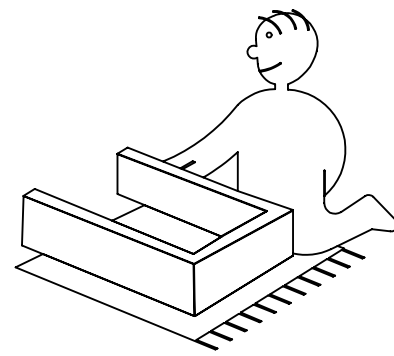
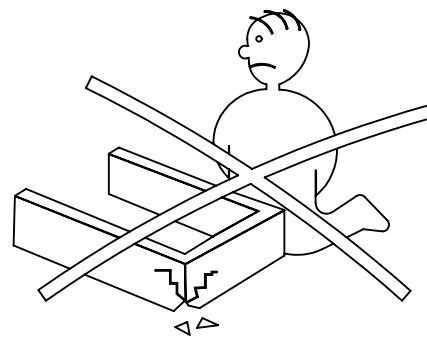
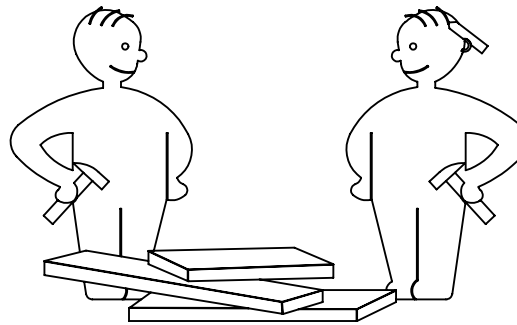
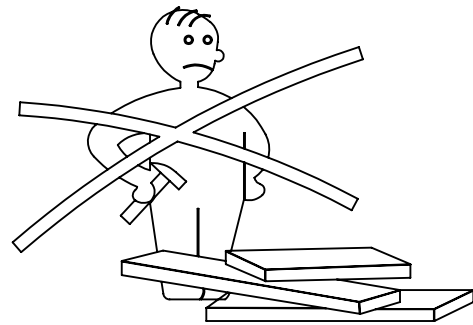
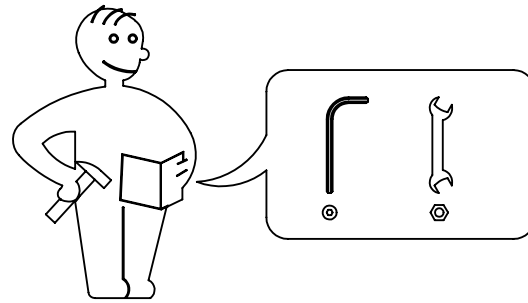


JANE

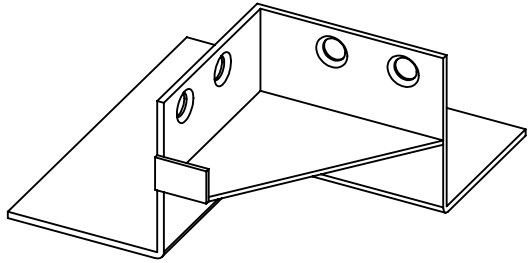


MODLOFT

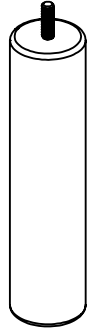




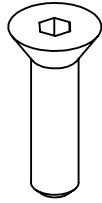
ASSEMBLY INSTRUCTION JANE MD323



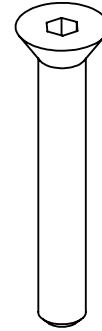
CORNER BRACKET
4X



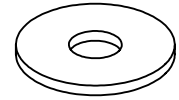
LEG
9X



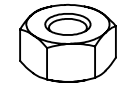
ALLEN 1/4 X 1"
36X



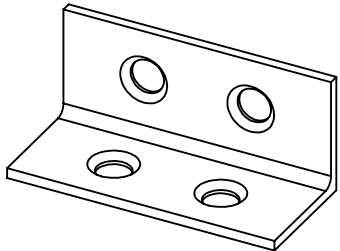
ALLEN 1/4 X 2"
22X



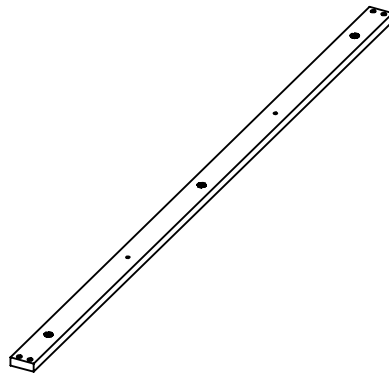
FLAT WASHER 1/4
22X



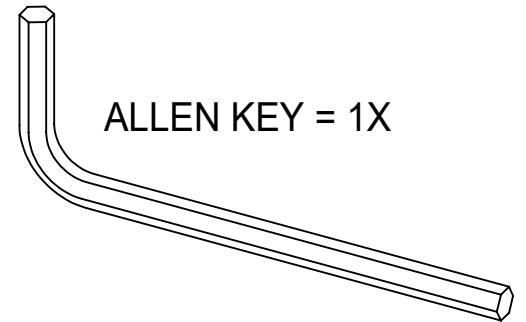
HEX NUT 1/4
22X



BRACKET
10X



LEG BEAM
3X



ALLEN KEY = 1X

Q = QUEEN • K/CK = KING / CAL-KING



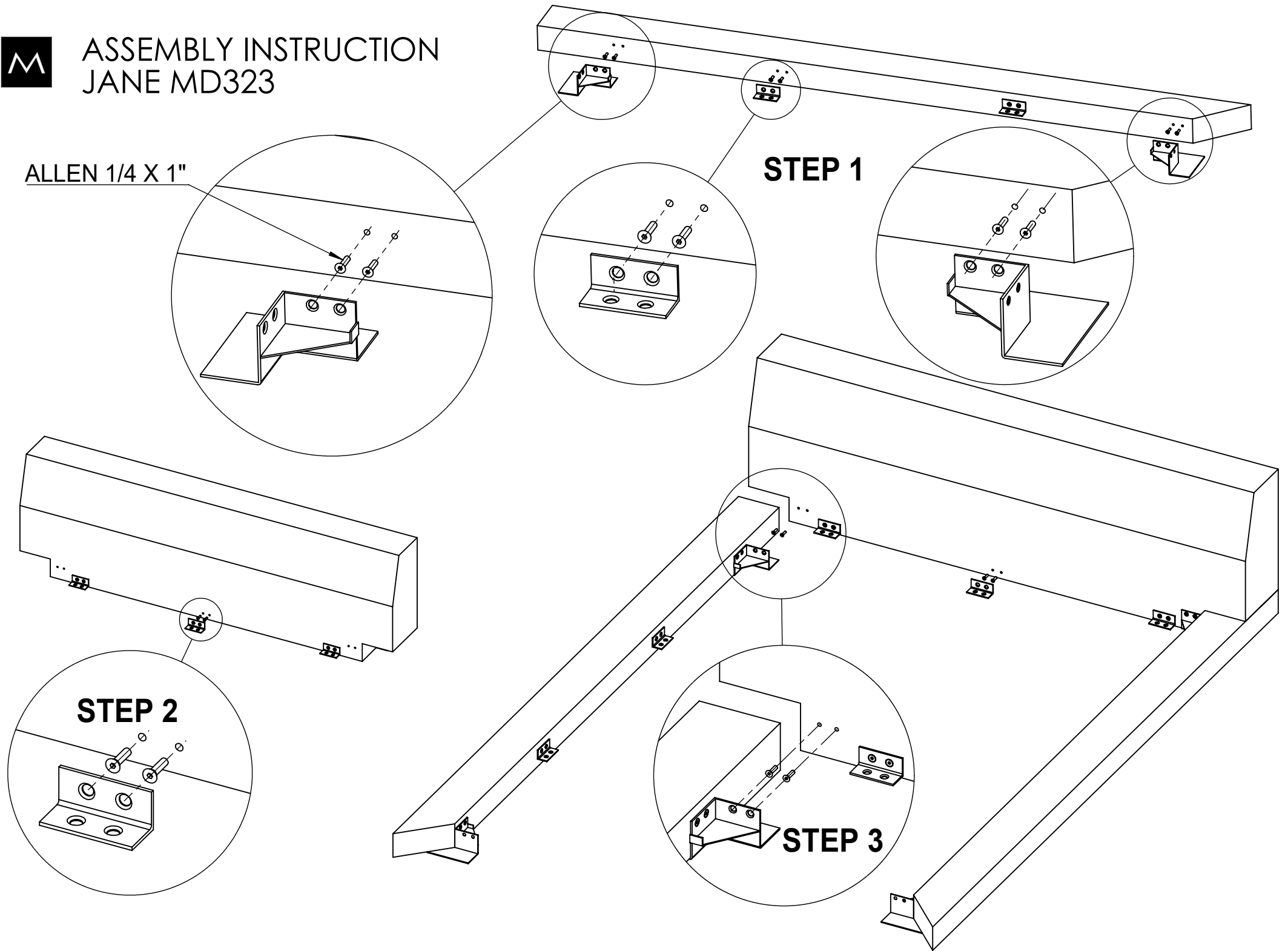
ASSEMBLY INSTRUCTION JANE MD323

ALLEN 1/4 X 1"

STEP 1

STEP 2

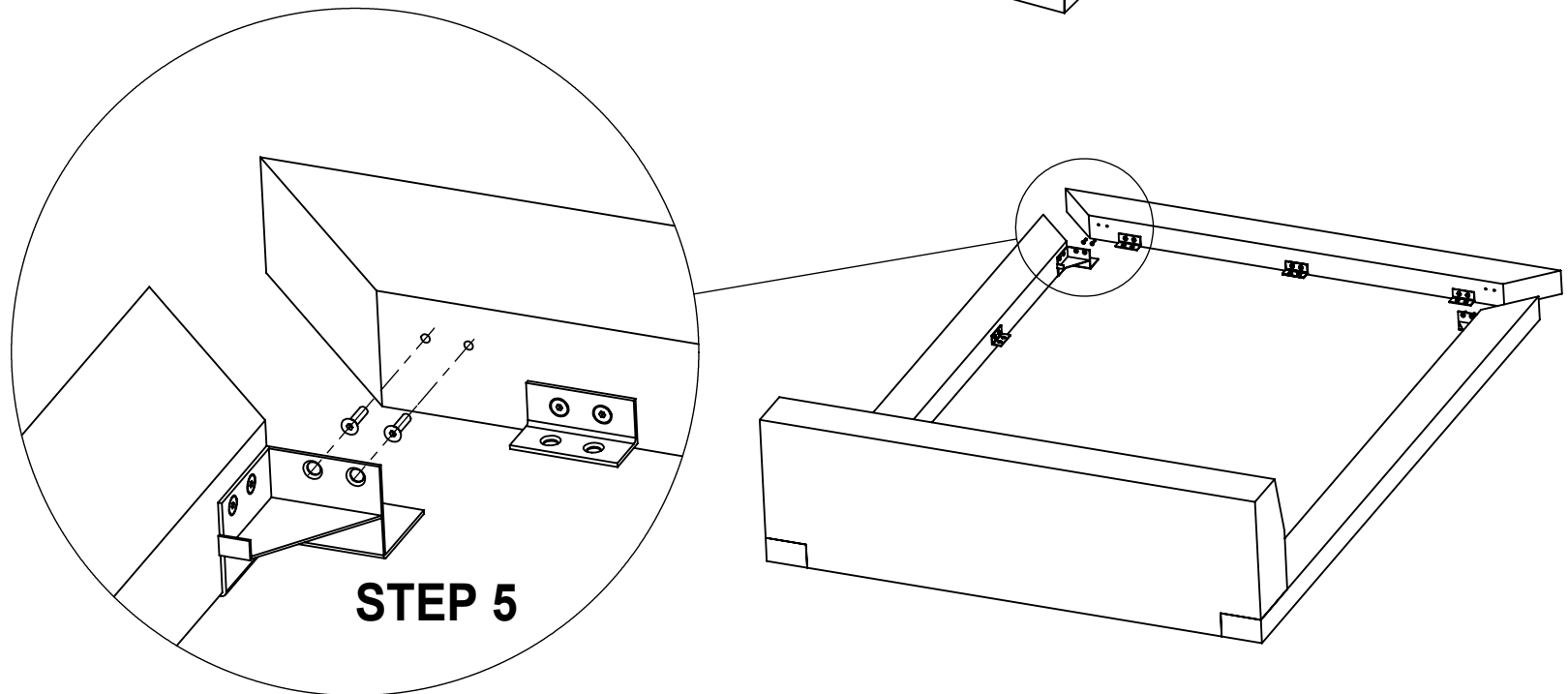
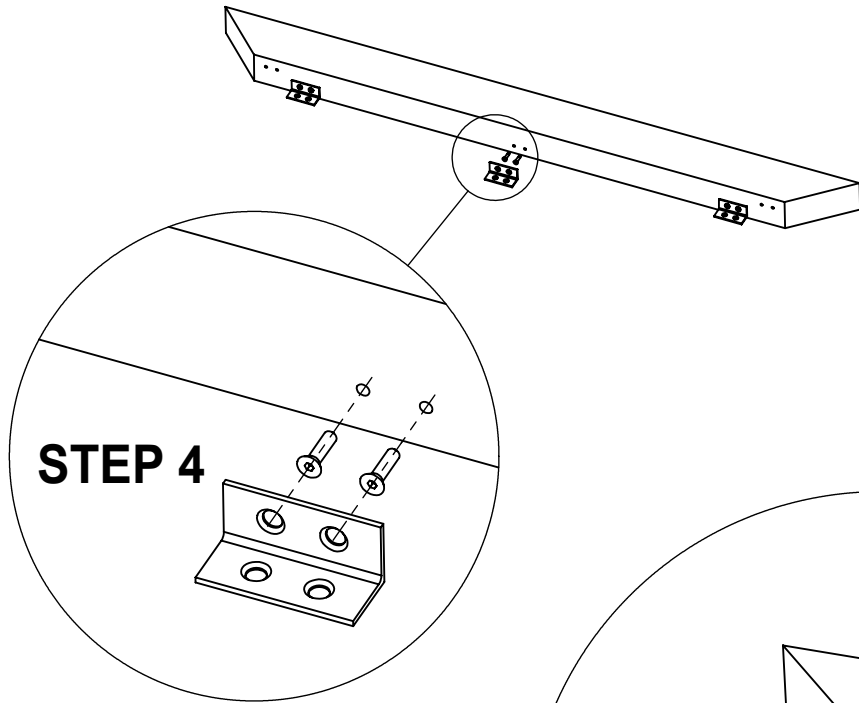
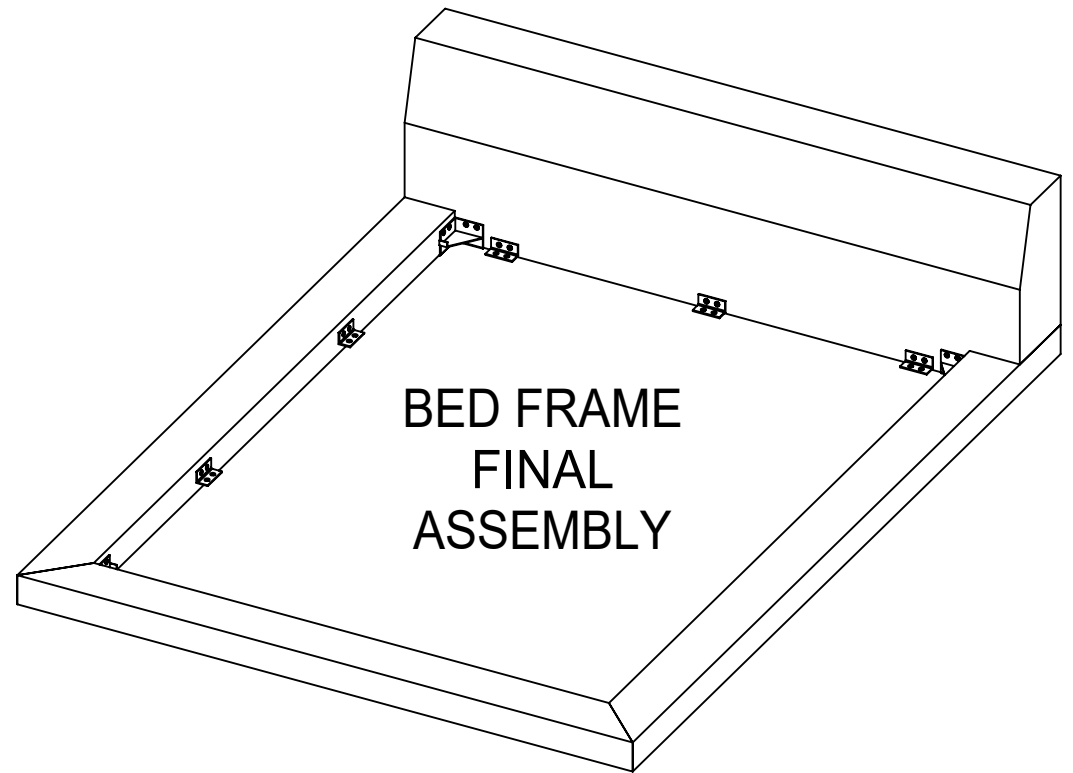
STEP 3





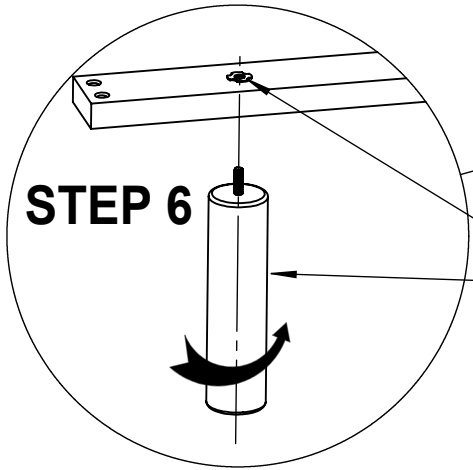
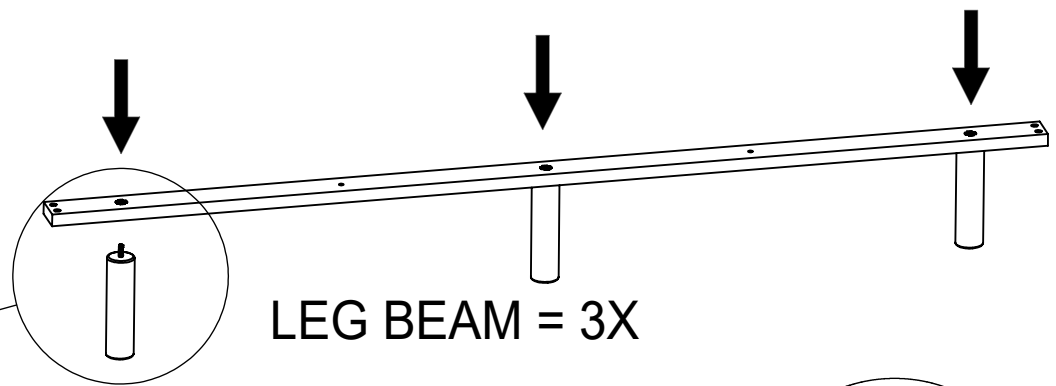
ASSEMBLY INSTRUCTION

JANE MD323

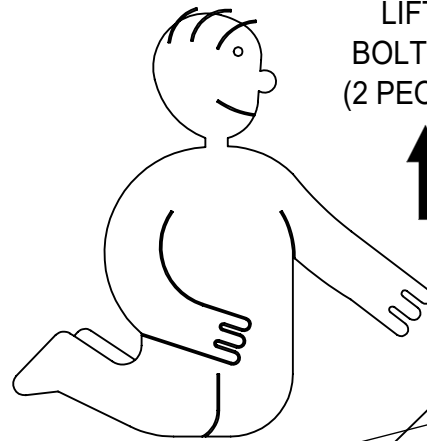




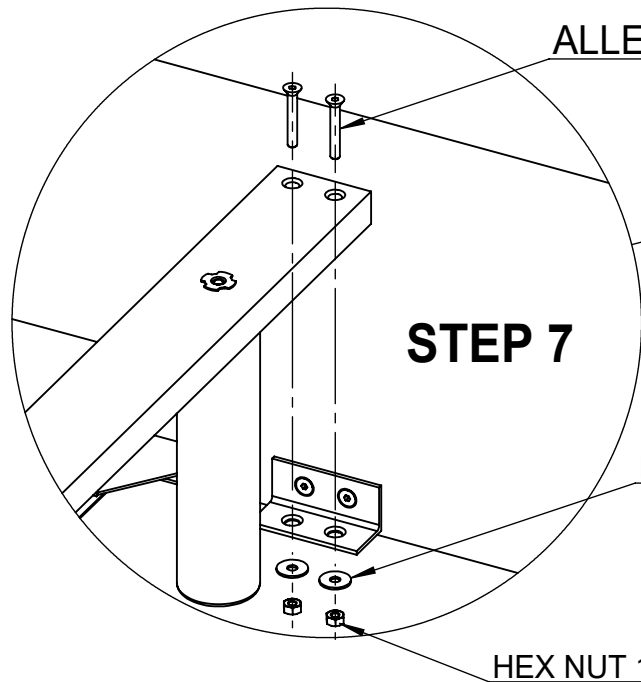
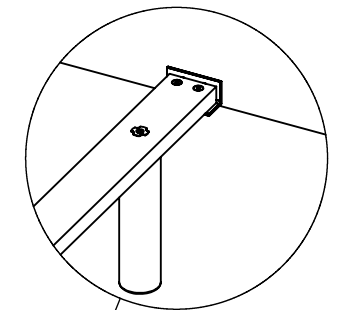
ASSEMBLY INSTRUCTION JANE MD323



ASSEMBLY THE LEGS IN THE NUTS



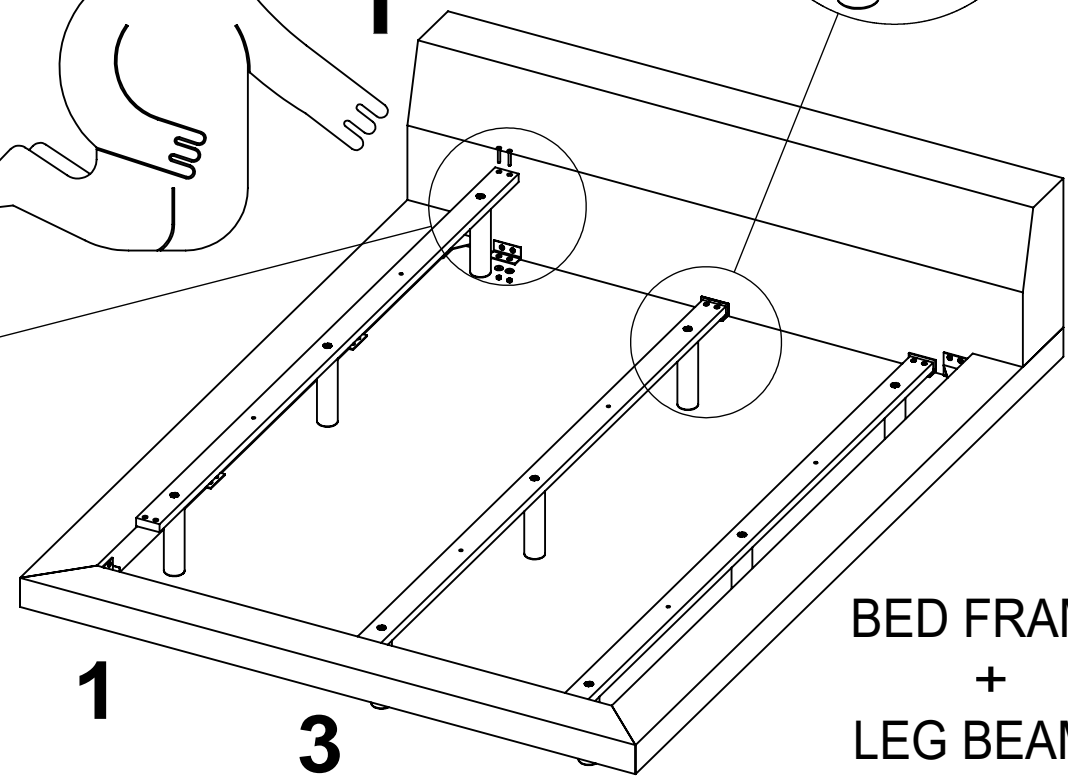
LIFT THE BED TO BOLT THE LEG BEAM (2 PEOPLE REQUIRED)



ALLEN 1/4 X 2"

FLAT WASHER 1/4"

HEX NUT 1/4"

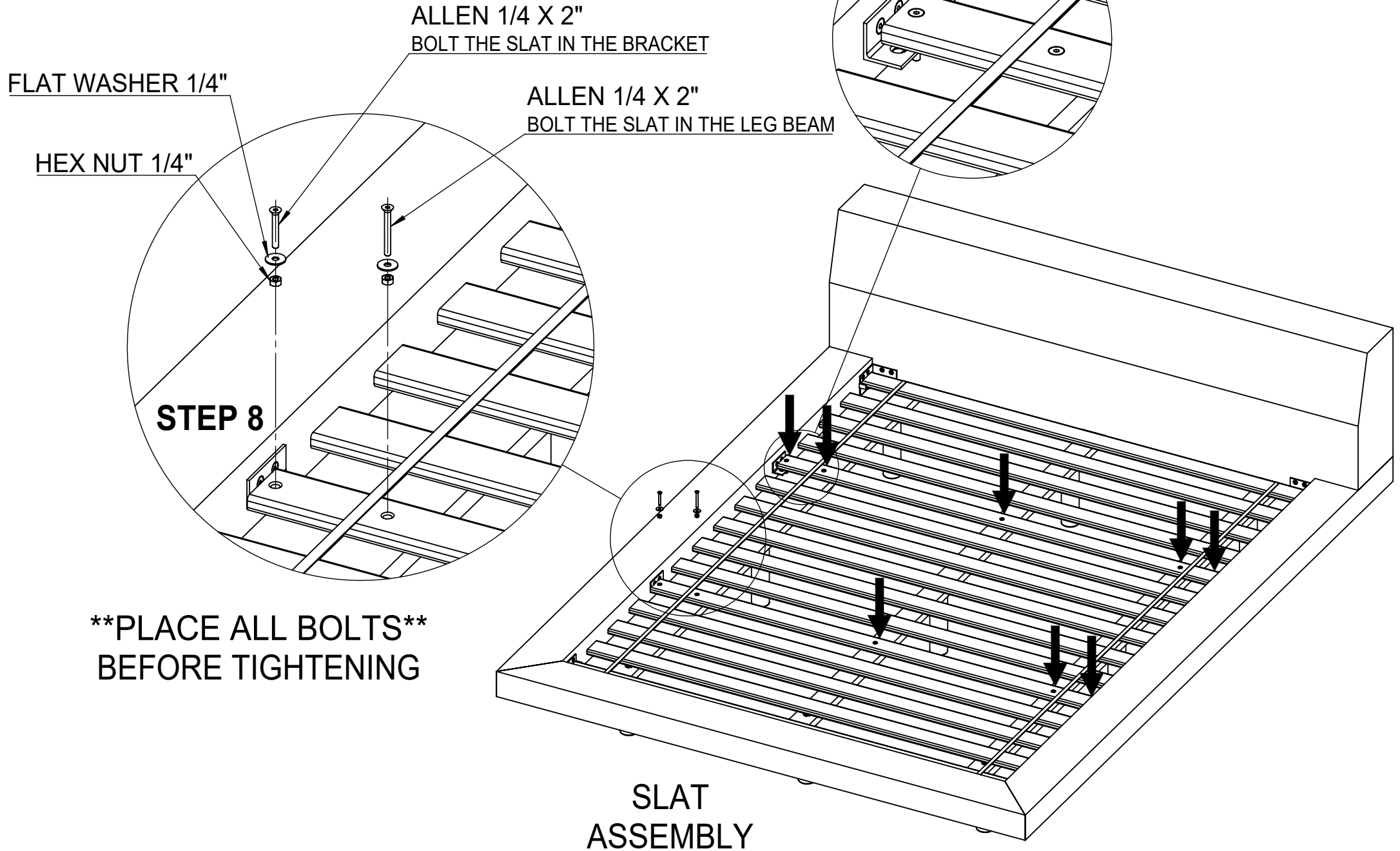


BED FRAME + LEG BEAMS ASSEMBLY

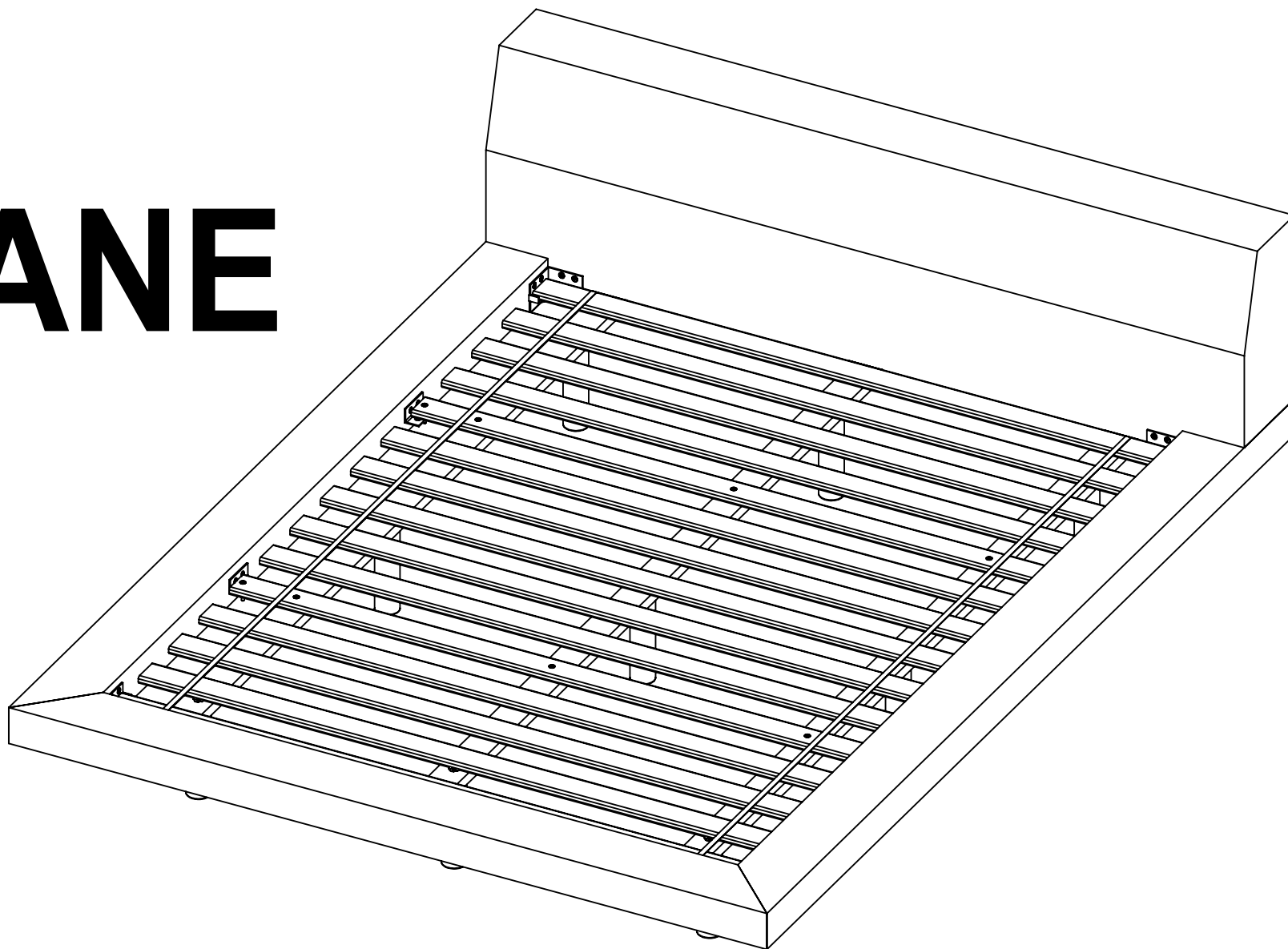
FOLLOW THE SEQUENCE FOR AN EASY ASSEMBLY



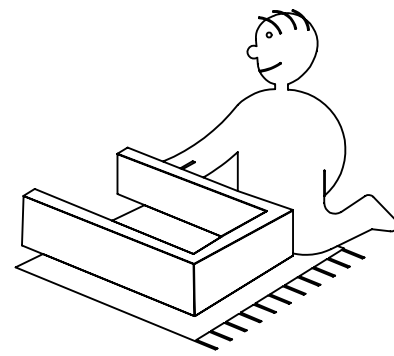
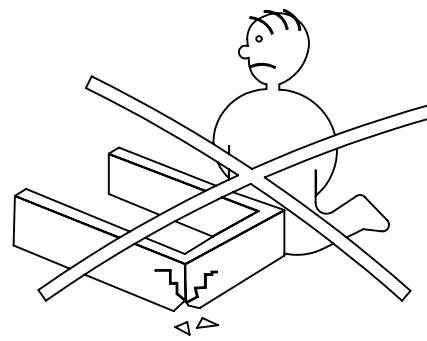
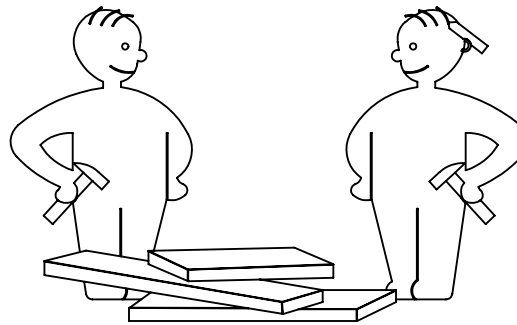
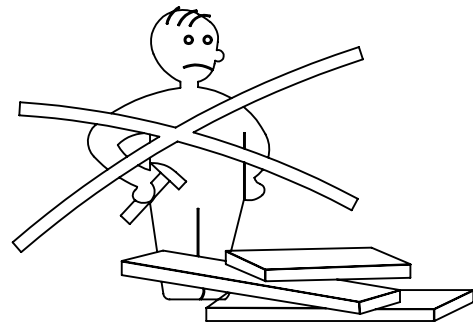
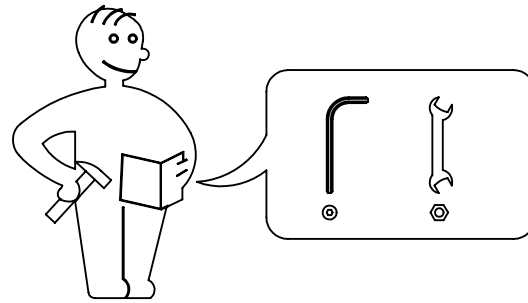
ASSEMBLY INSTRUCTION JANE MD323



JANE

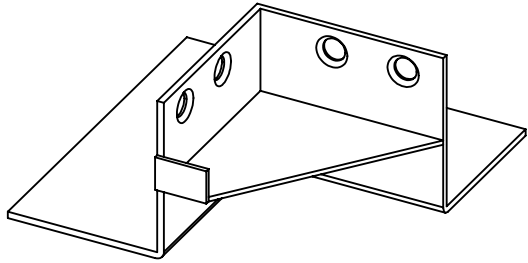


MODLOFT

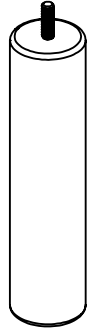




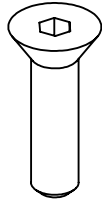
ASSEMBLY INSTRUCTION JANE MD323



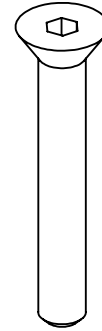
CORNER BRACKET
4X



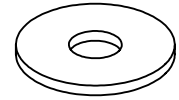
LEG
9X



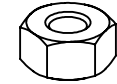
ALLEN 1/4 X 1"
36X



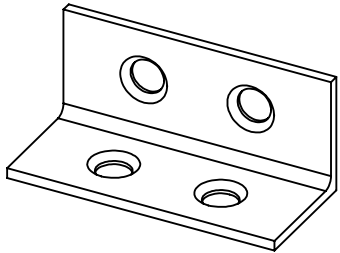
ALLEN 1/4 X 2"
22X



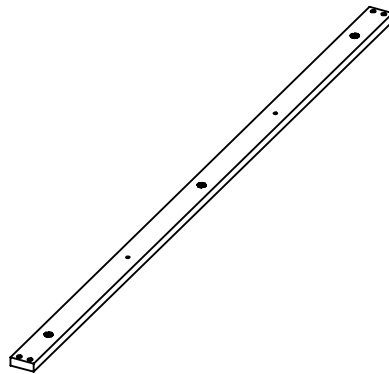
FLAT WASHER 1/4
22X



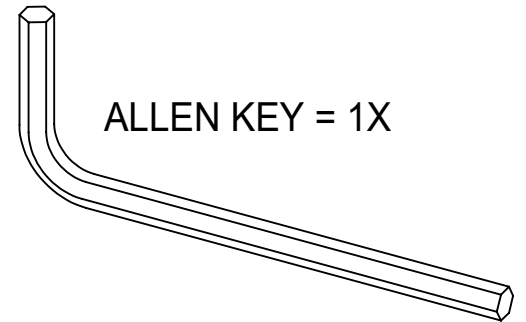
HEX NUT 1/4
22X



BRACKET
10X



LEG BEAM
3X



ALLEN KEY = 1X

Q = QUEEN • K/CK = KING / CAL-KING



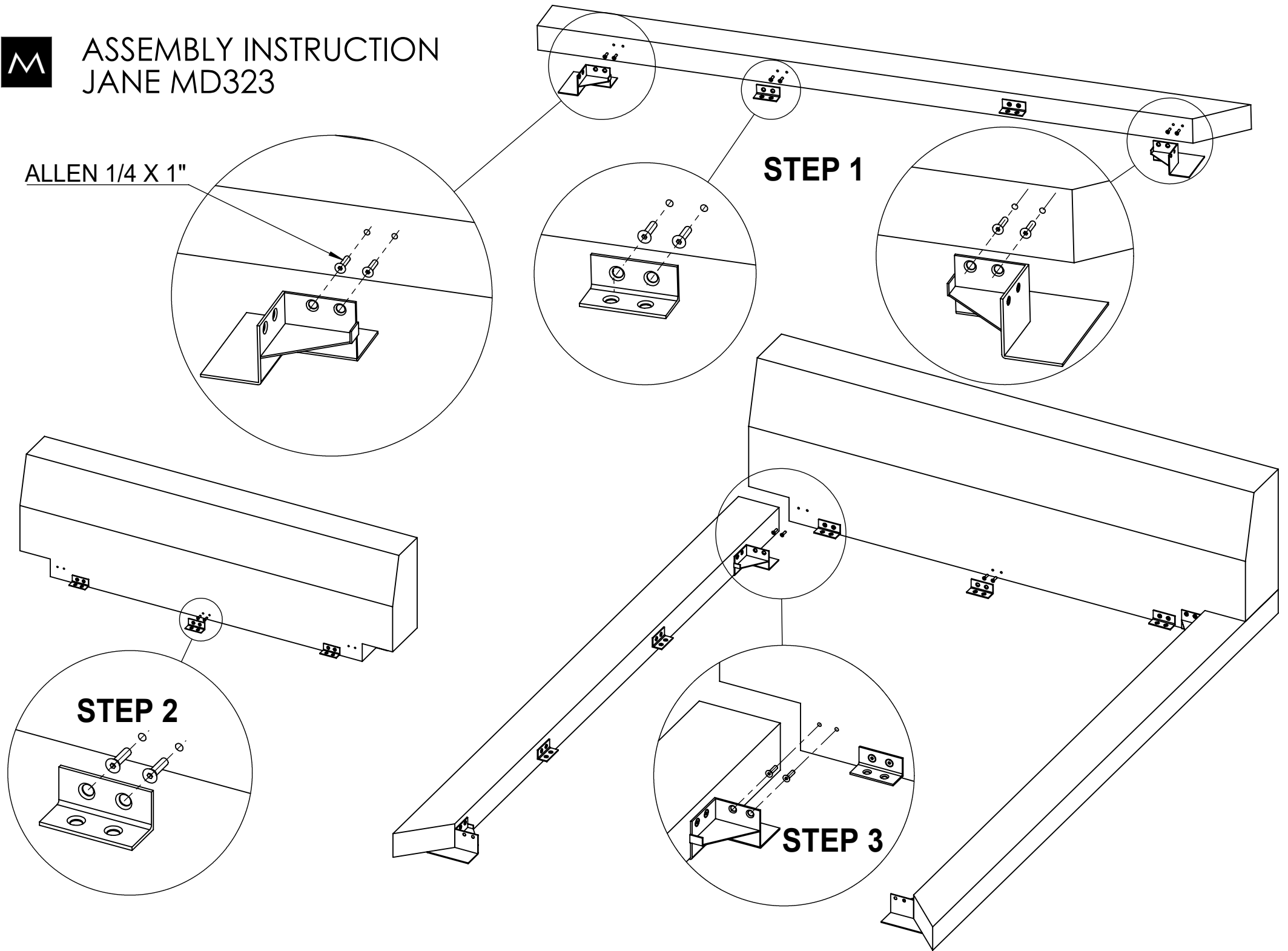
ASSEMBLY INSTRUCTION JANE MD323

ALLEN 1/4 X 1"

STEP 1

STEP 2

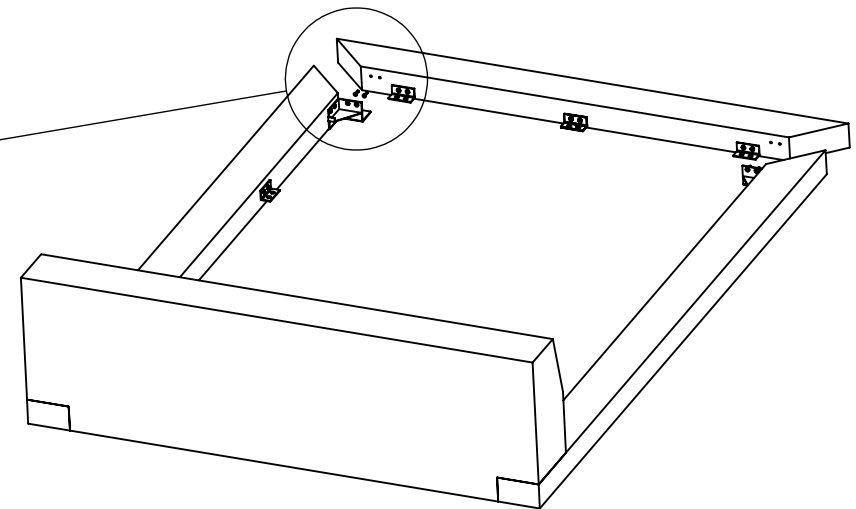
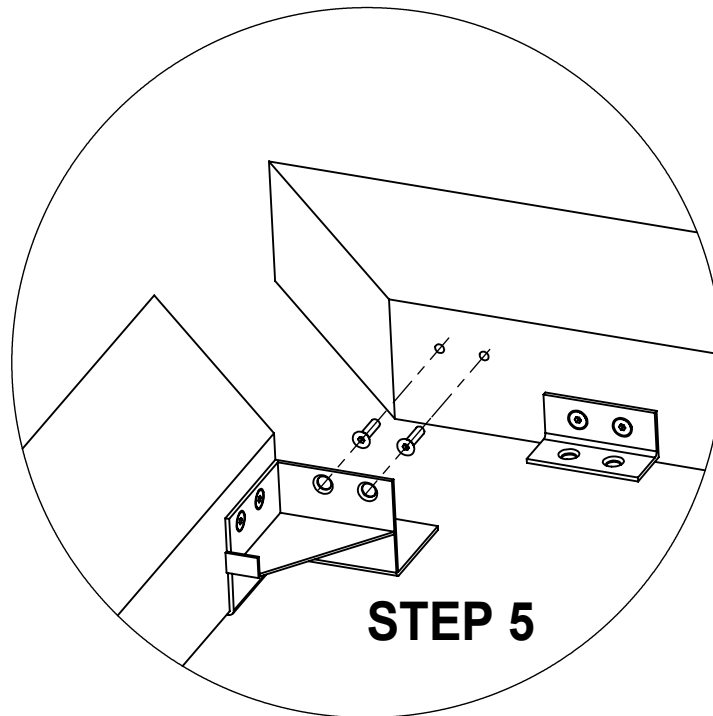
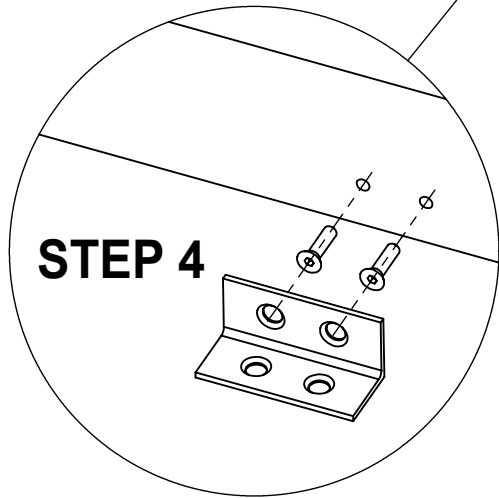
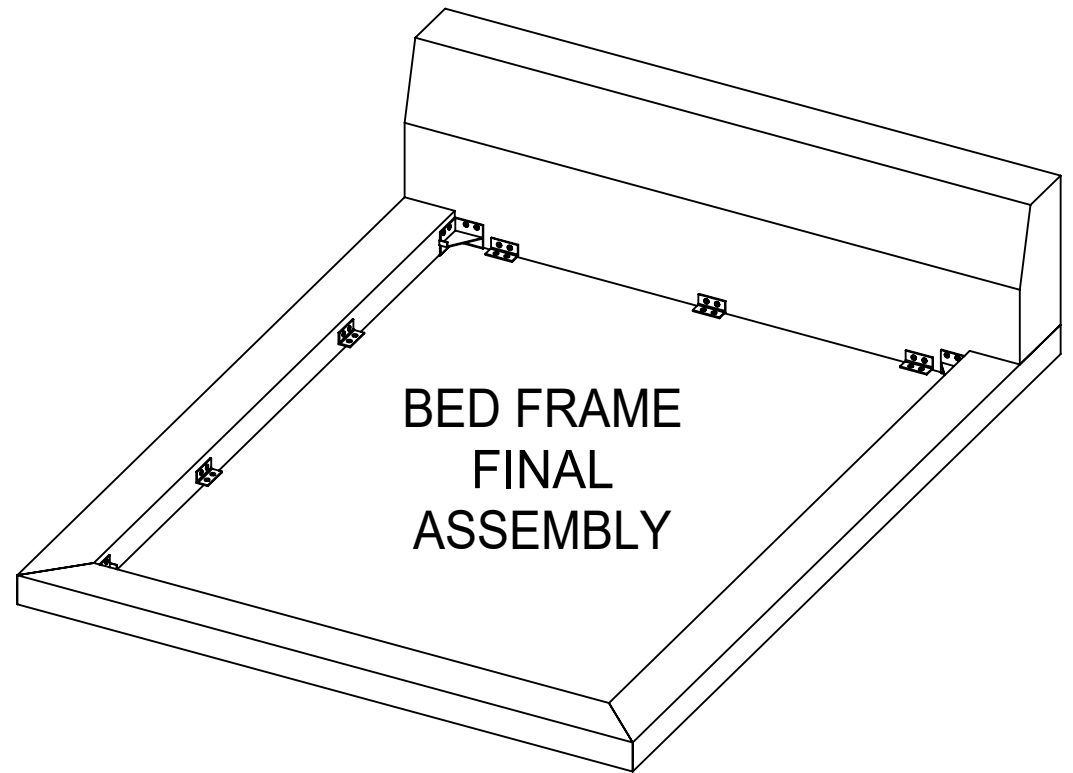
STEP 3





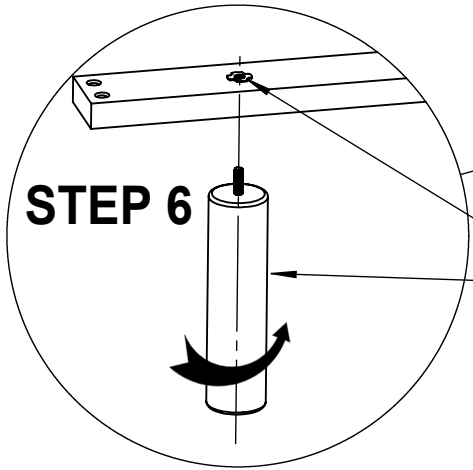
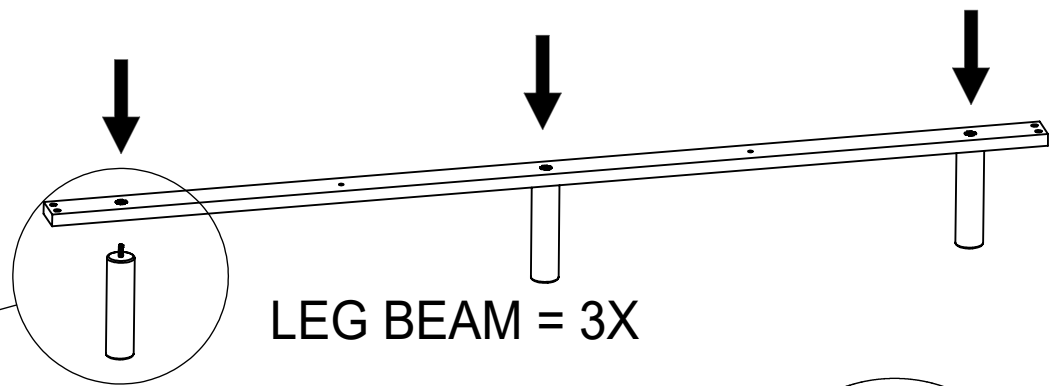
ASSEMBLY INSTRUCTION

JANE MD323

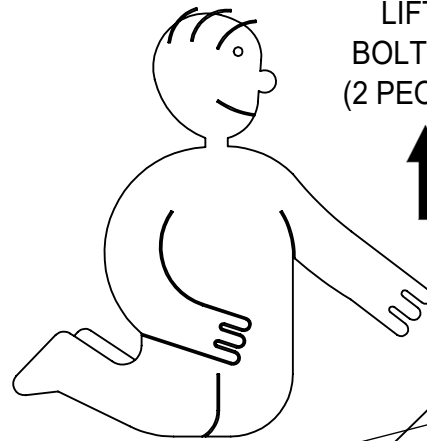




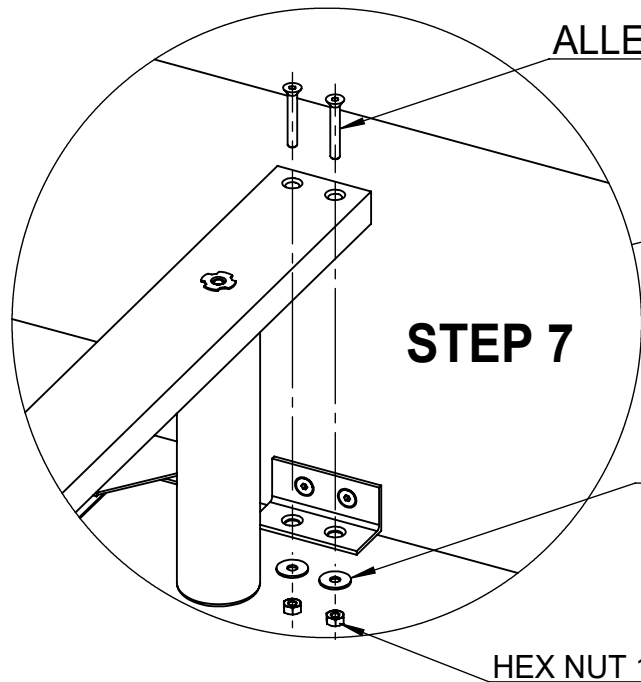
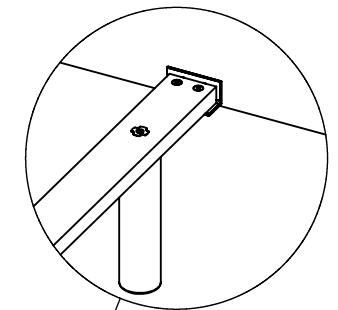
ASSEMBLY INSTRUCTION JANE MD323



ASSEMBLY THE LEGS IN THE NUTS



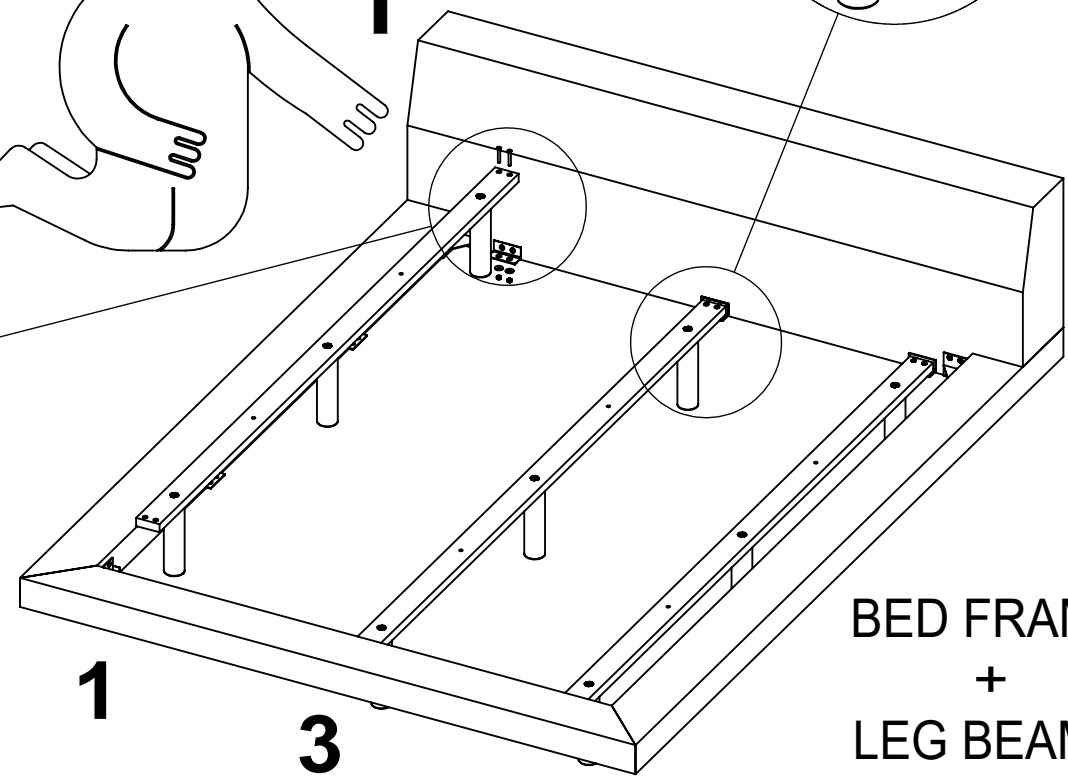
LIFT THE BED TO BOLT THE LEG BEAM (2 PEOPLE REQUIRED)



ALLEN 1/4 X 2"

FLAT WASHER 1/4"

HEX NUT 1/4"



FOLLOW THE SEQUENCE FOR AN EASY ASSEMBLY



ASSEMBLY INSTRUCTION JANE MD323

FLAT WASHER 1/4"

HEX NUT 1/4"

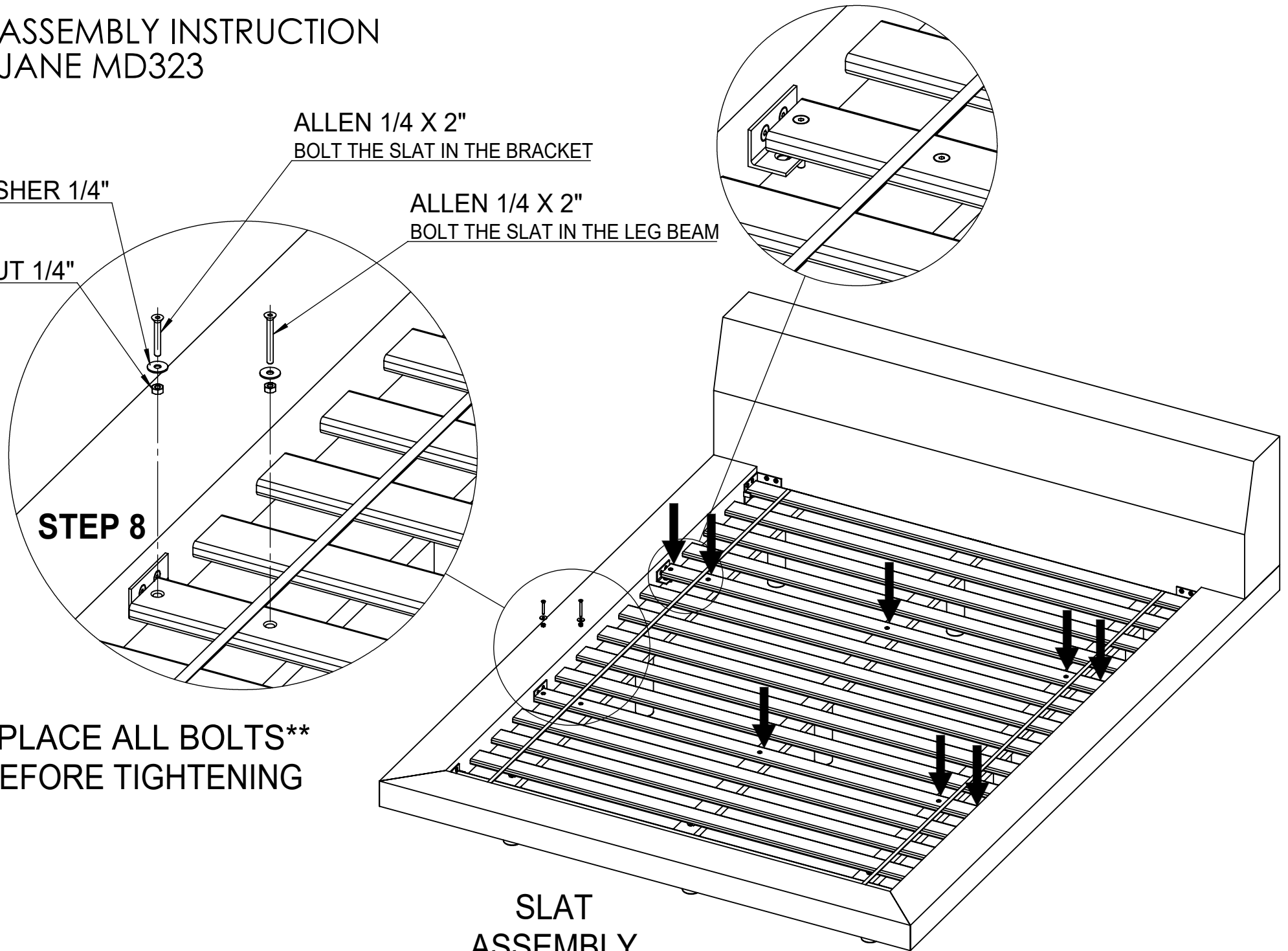
ALLEN 1/4 X 2"
BOLT THE SLAT IN THE BRACKET

ALLEN 1/4 X 2"
BOLT THE SLAT IN THE LEG BEAM

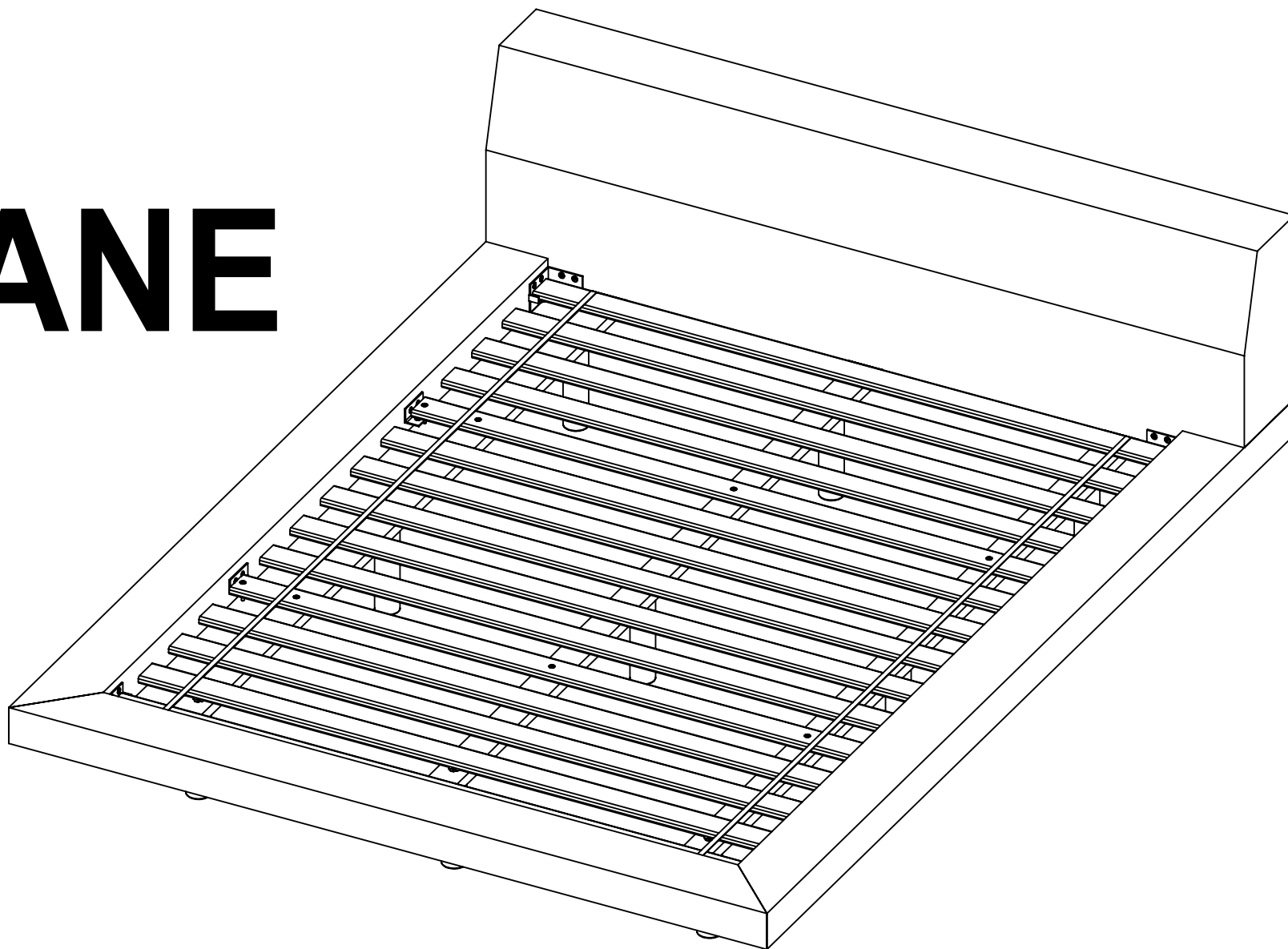
STEP 8

****PLACE ALL BOLTS**
BEFORE TIGHTENING**

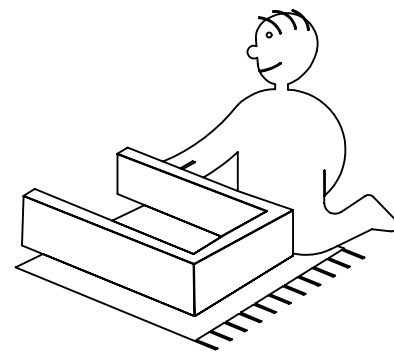
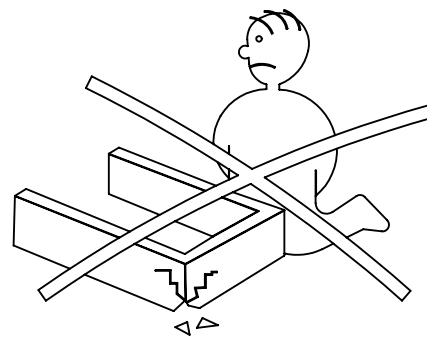
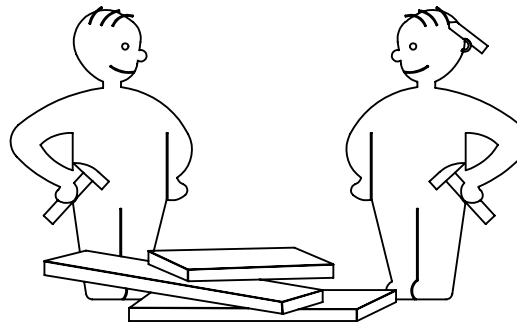
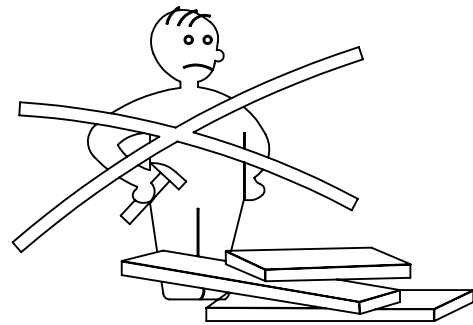
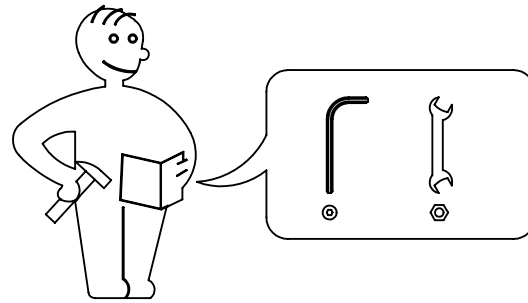
SLAT
ASSEMBLY



JANE

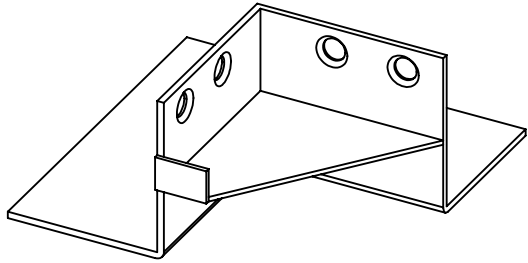


MODLOFT

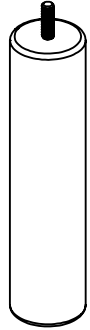




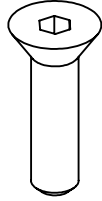
ASSEMBLY INSTRUCTION JANE MD323



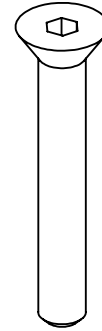
CORNER BRACKET
4X



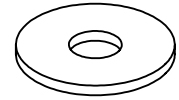
LEG
9X



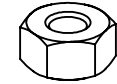
ALLEN 1/4 X 1"
36X



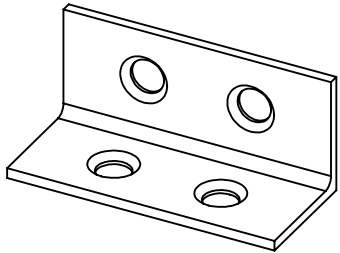
ALLEN 1/4 X 2"
22X



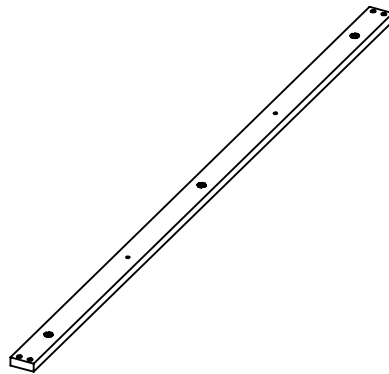
FLAT WASHER 1/4
22X



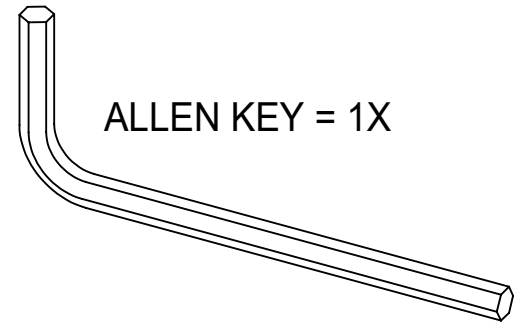
HEX NUT 1/4
22X



BRACKET
10X



LEG BEAM
3X



ALLEN KEY = 1X

Q = QUEEN • K/CK = KING / CAL-KING



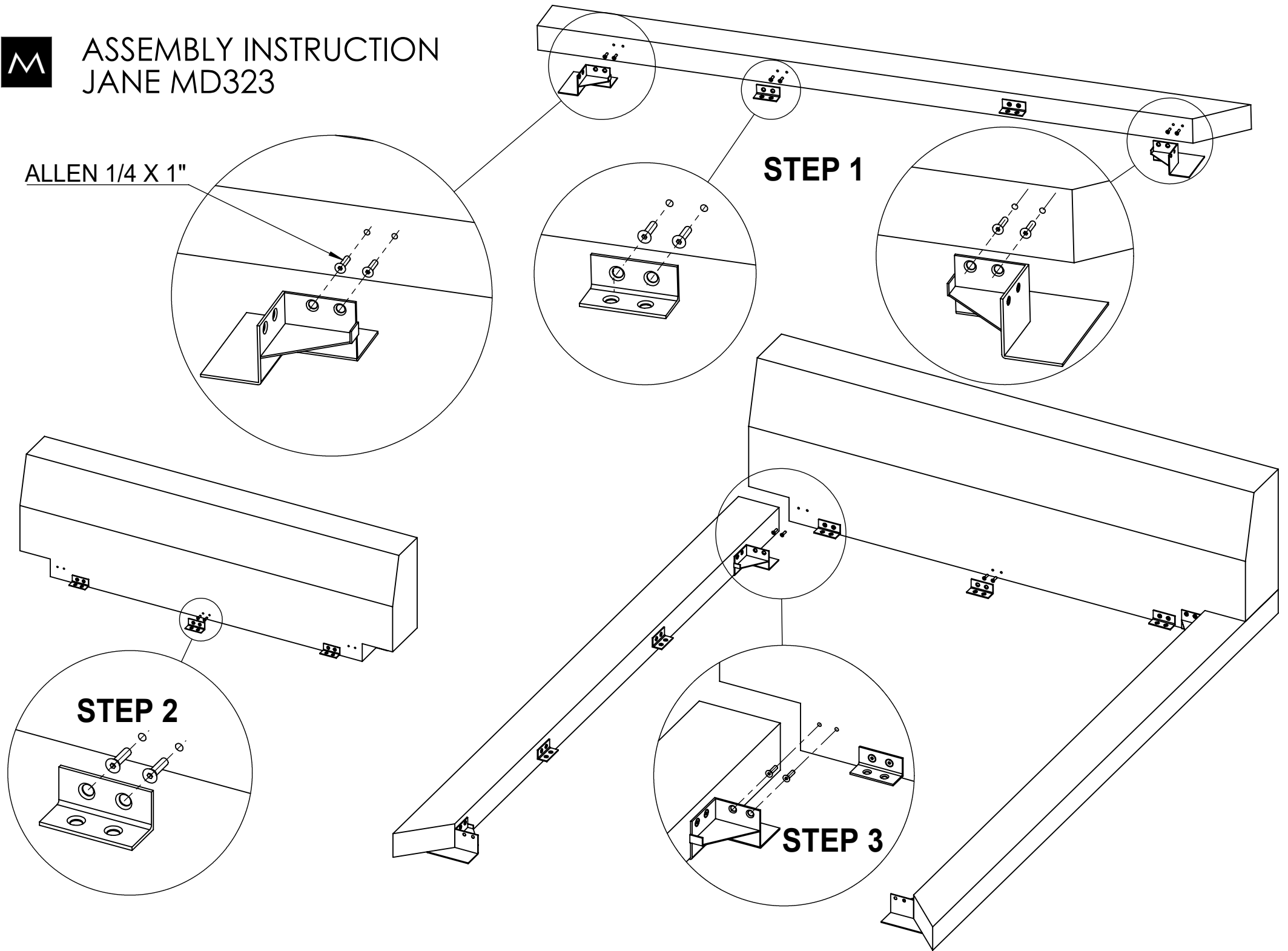
ASSEMBLY INSTRUCTION JANE MD323

ALLEN 1/4 X 1"

STEP 1

STEP 2

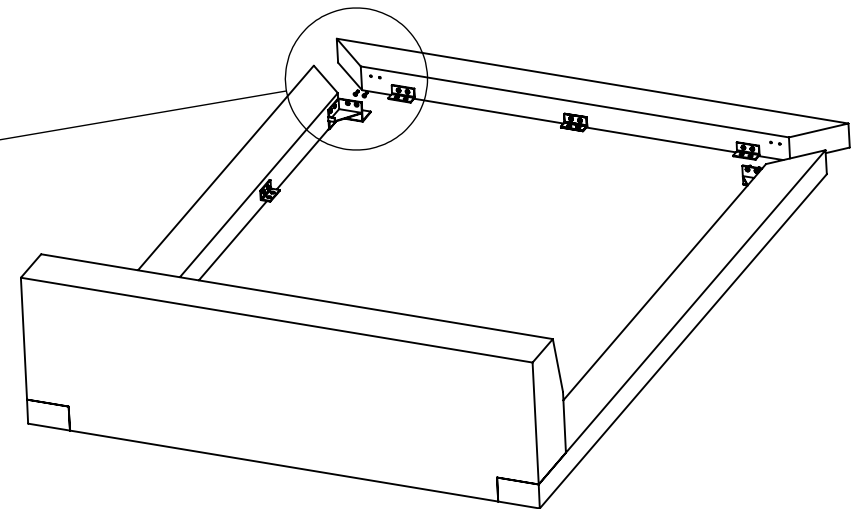
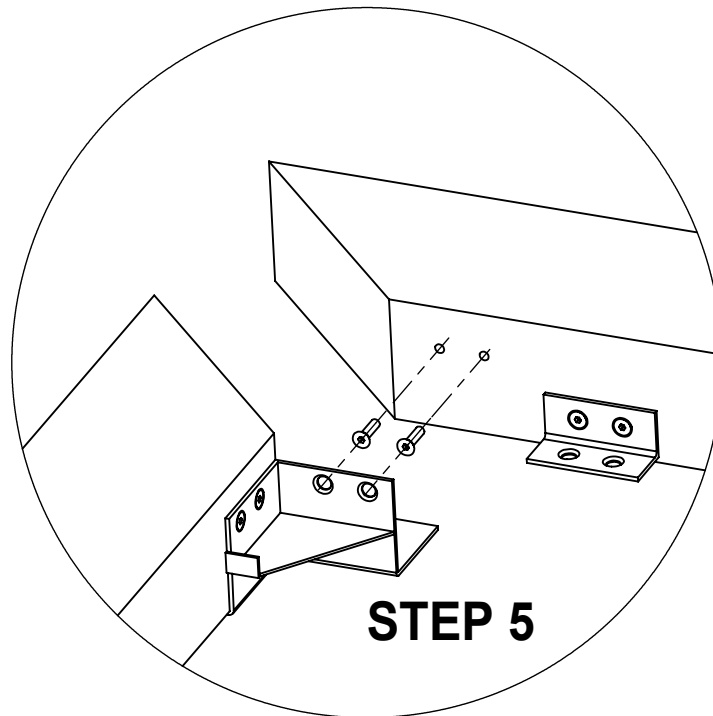
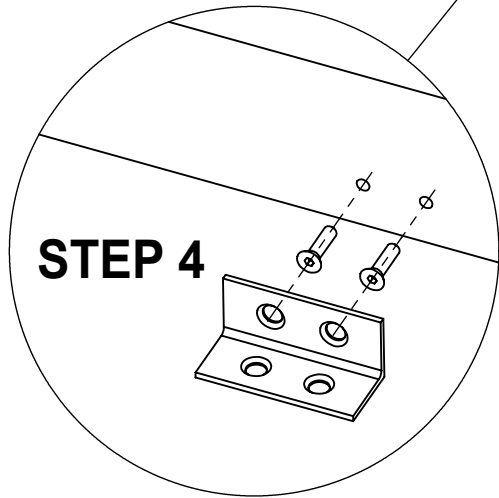
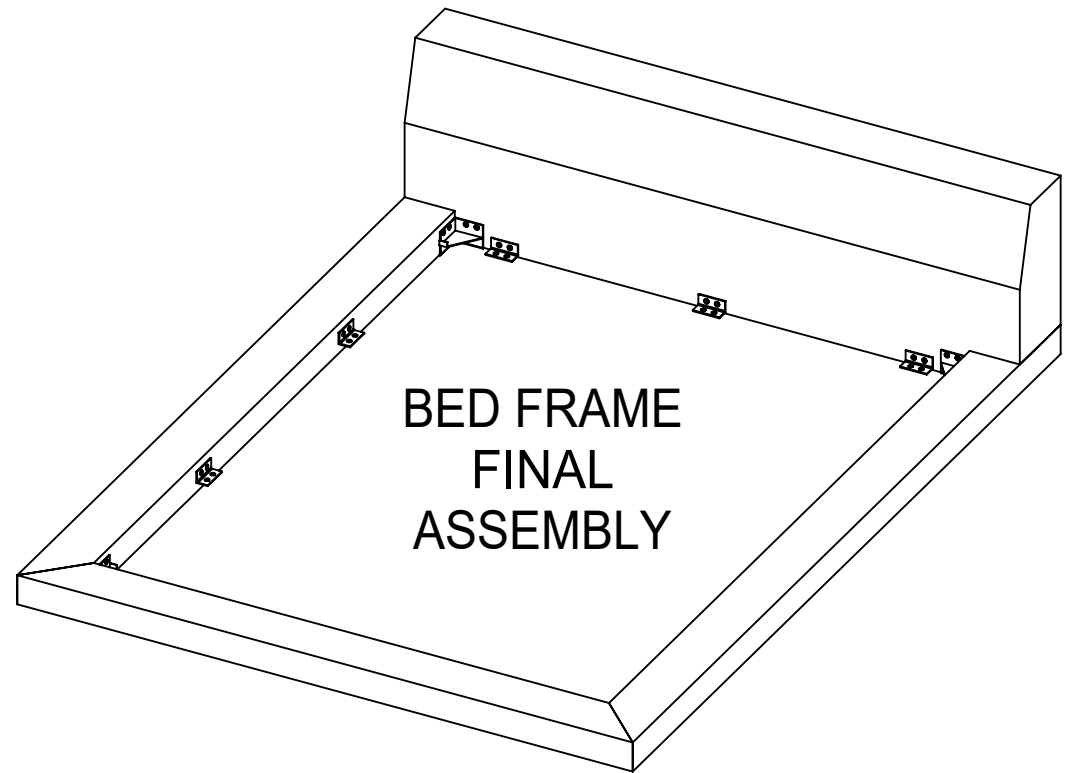
STEP 3





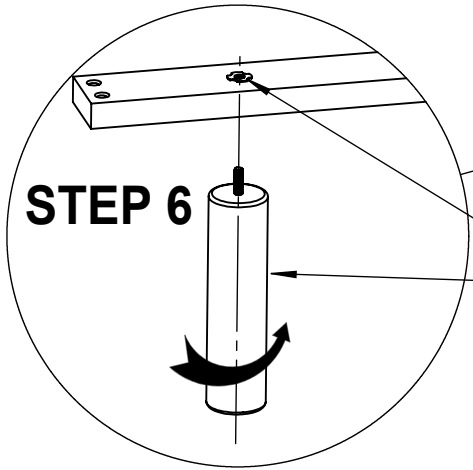
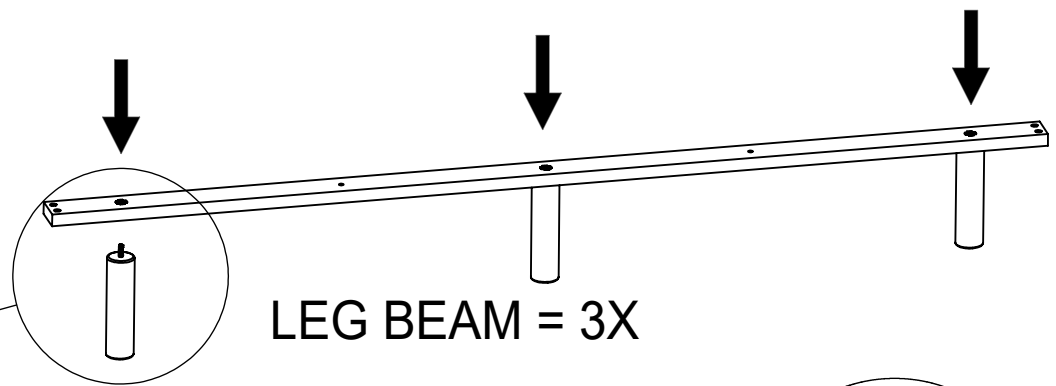
ASSEMBLY INSTRUCTION

JANE MD323

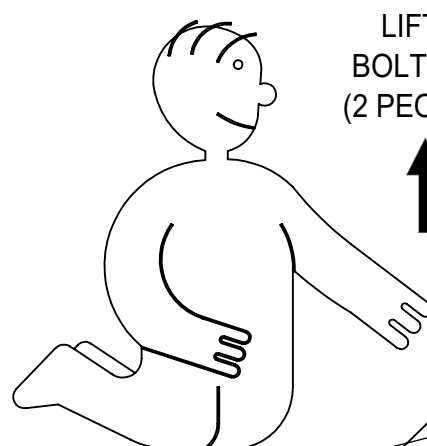




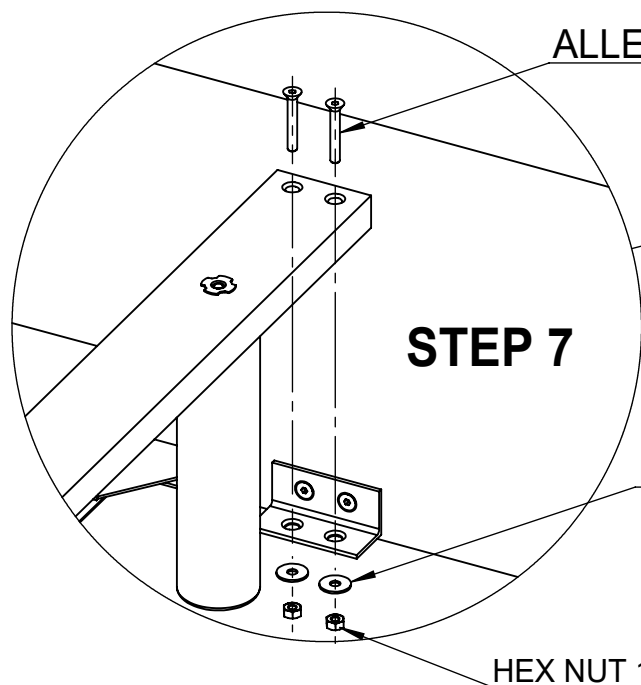
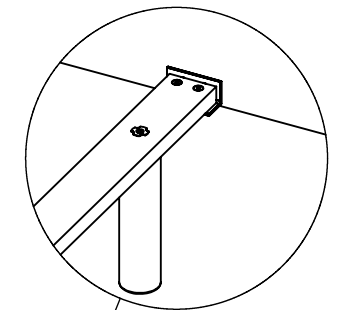
ASSEMBLY INSTRUCTION JANE MD323



ASSEMBLY THE
LEGS IN THE NUTS



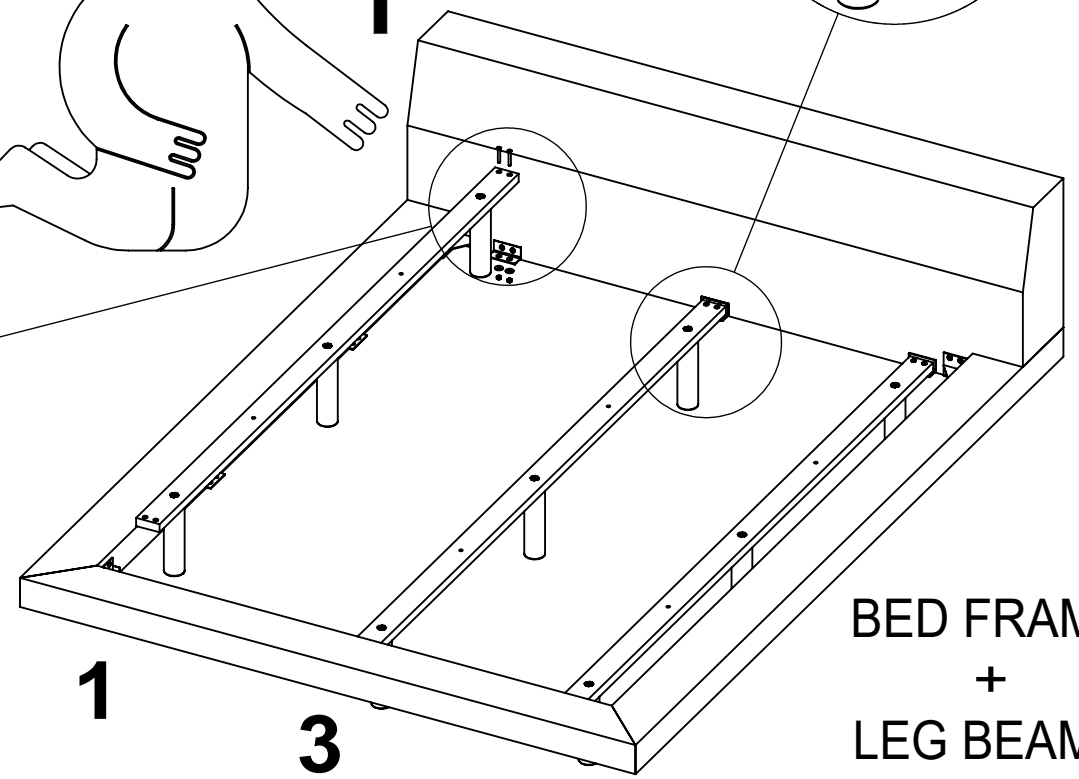
LIFT THE BED TO
BOLT THE LEG BEAM
(2 PEOPLE REQUIRED)



ALLEN 1/4 X 2"

FLAT WASHER 1/4"

HEX NUT 1/4"



FOLLOW THE SEQUENCE
FOR AN EASY ASSEMBLY



ASSEMBLY INSTRUCTION JANE MD323

FLAT WASHER 1/4"

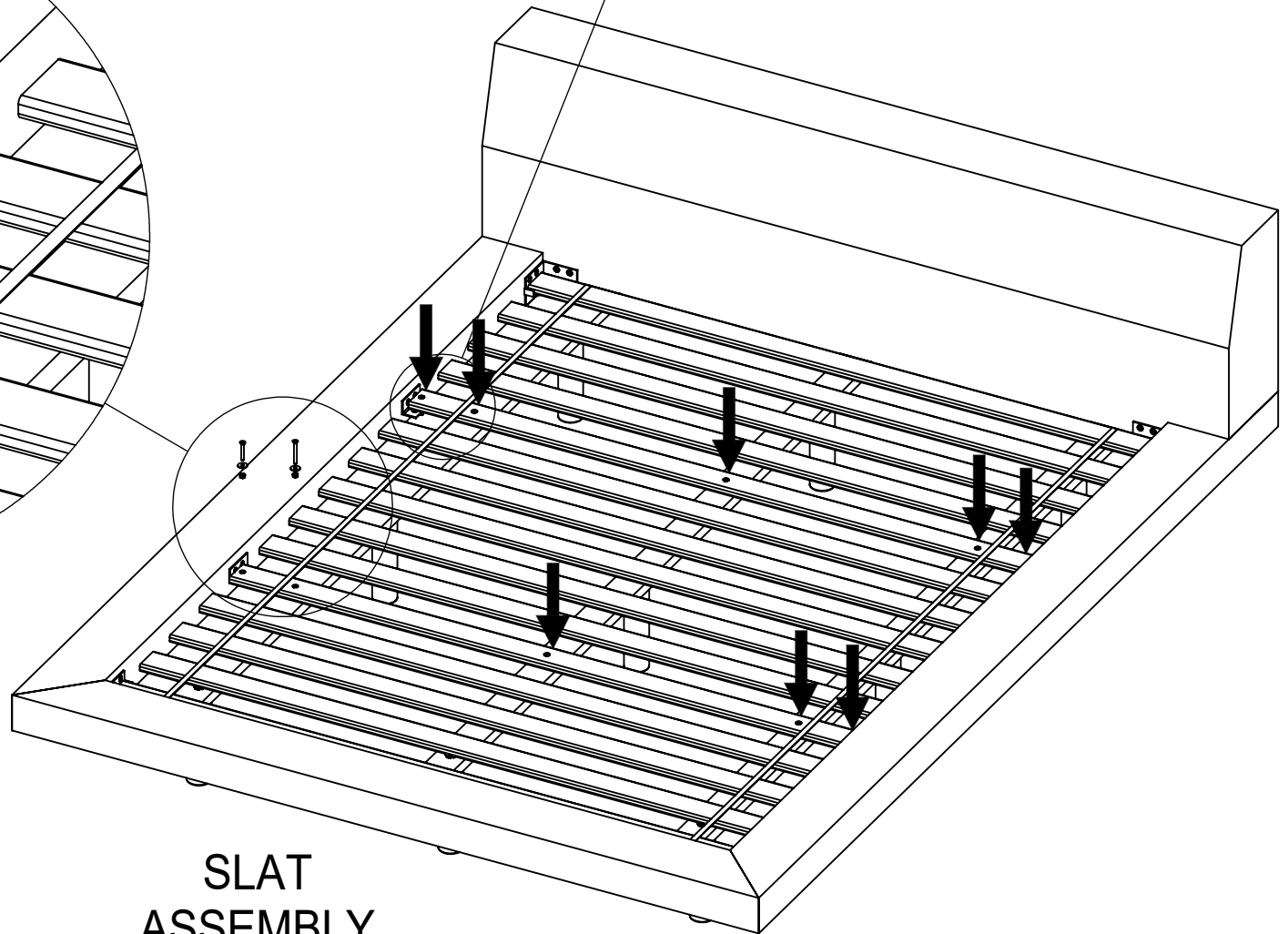
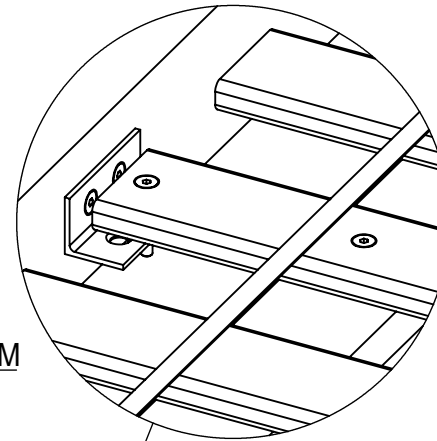
HEX NUT 1/4"

ALLEN 1/4 X 2"
BOLT THE SLAT IN THE BRACKET

ALLEN 1/4 X 2"
BOLT THE SLAT IN THE LEG BEAM

STEP 8

****PLACE ALL BOLTS**
BEFORE TIGHTENING**



SLAT
ASSEMBLY