

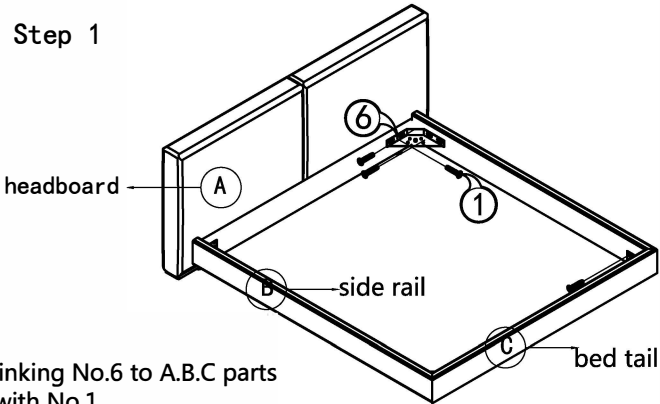
INSTALL INSTRUCTIONS

HB106

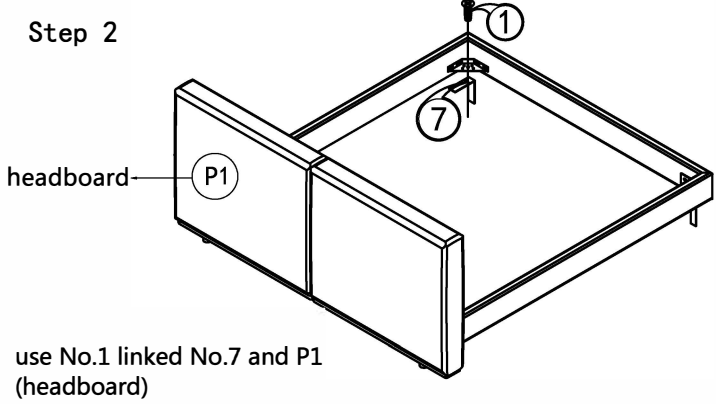


①	②	③	④	⑤	⑥
M8*30 screw=42pcs	non slip mat=9pcs	250*90*38=4pcs corner code	bed feet =1pc L=1855	54*36*45=2pcs small corner code	250*90*38=4pcs corner code
⑦					
125*100*40=2pcs small corner code					

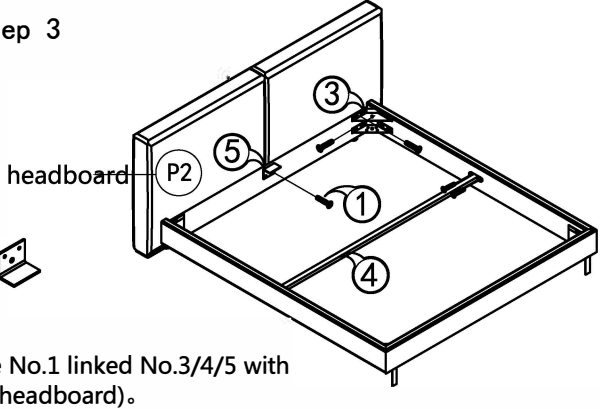
Step 1



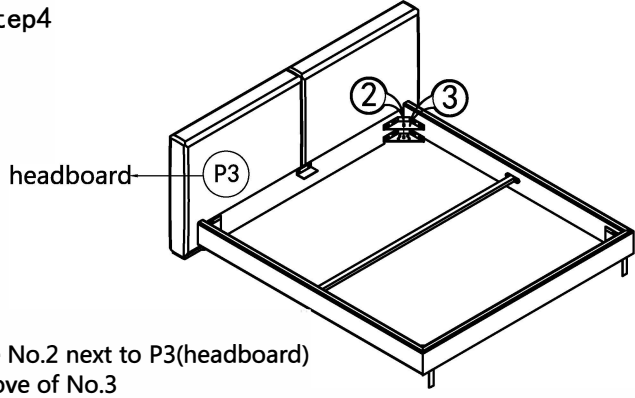
Step 2



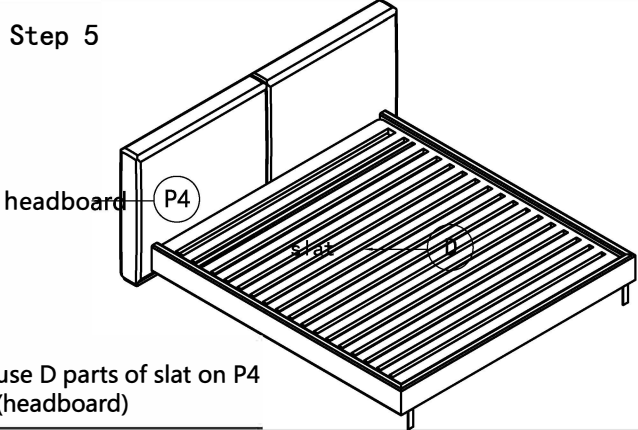
Step 3



Step4



Step 5



Step 6

