






HARU SIDEBOARD

L1800 x W500 x H750 mm

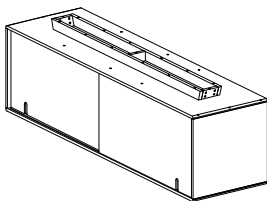
ASSEMBLY INSTRUCTIONS

HARDWARE FOR WOODEN

No.	Hardware	Q.ty
1	Bolt M8x35 	8
2	Washer Ø8xØ12 	8
3	Washer Ø8xØ16 	8
4	Latches 	16
5	Key K4 	1



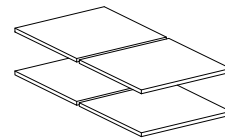
20 MIN



A x 1

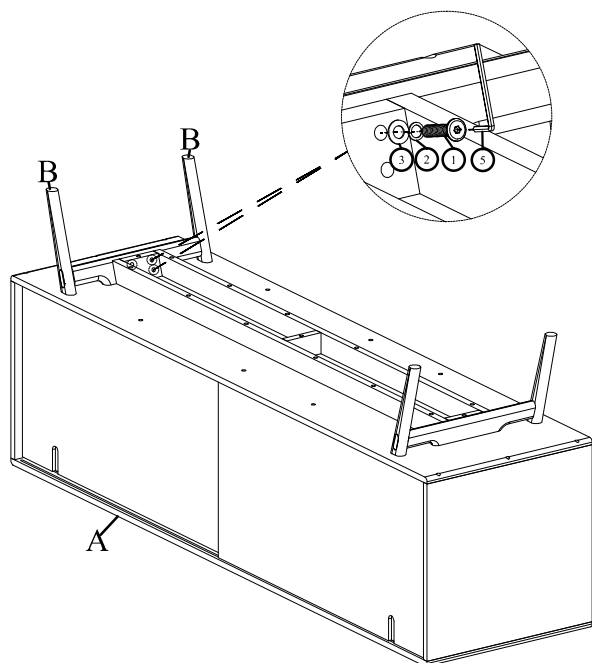


B x 2

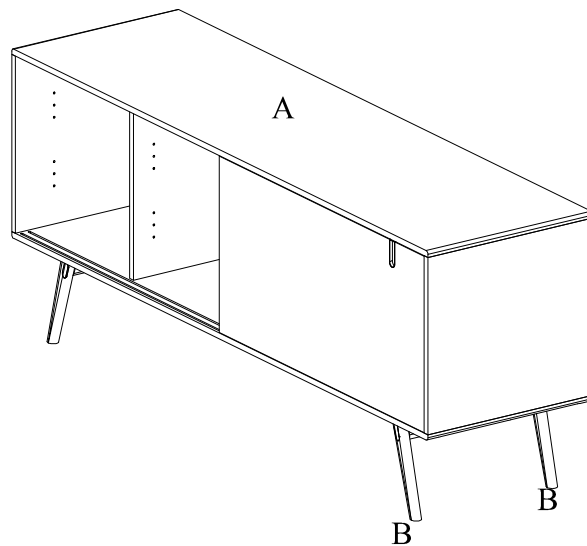
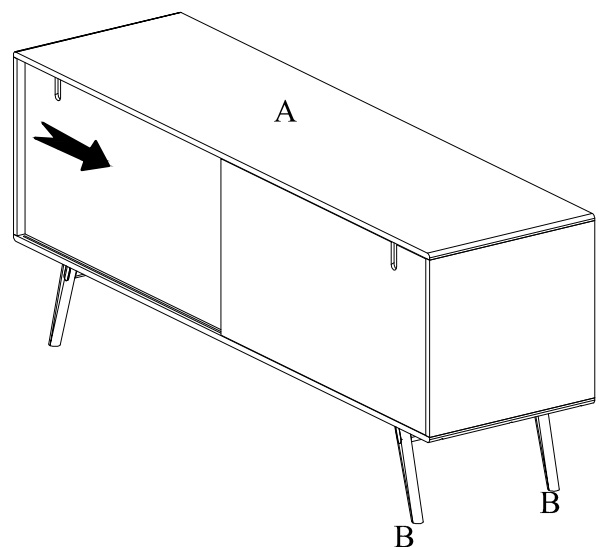
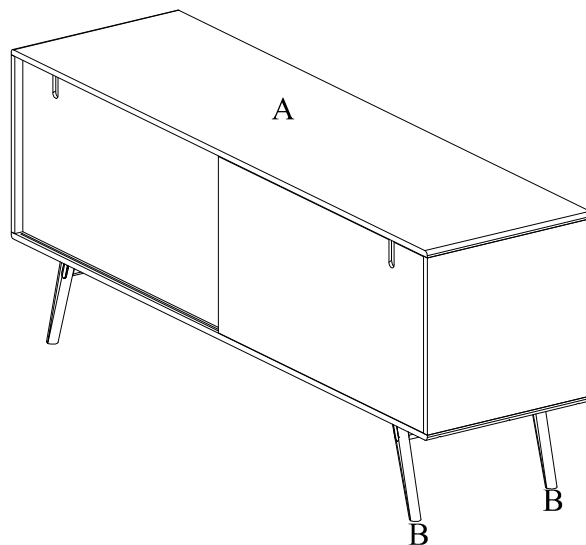


C x 4

STEP 1



STEP 2



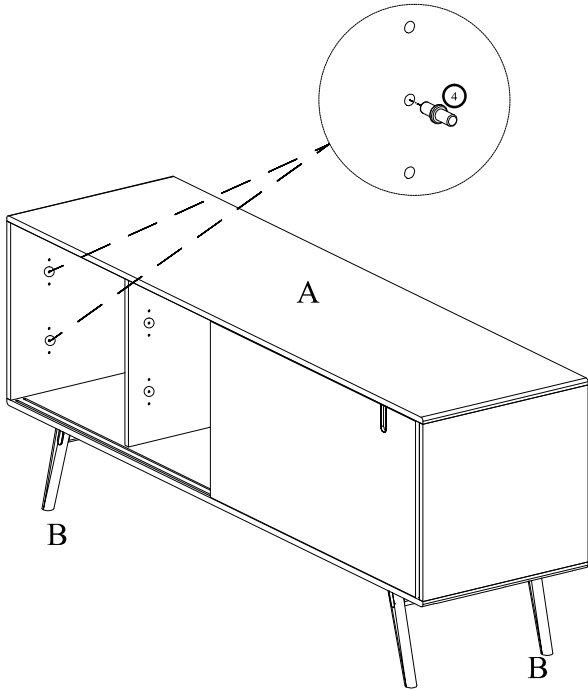
STEP 3

HARU SIDEBORD

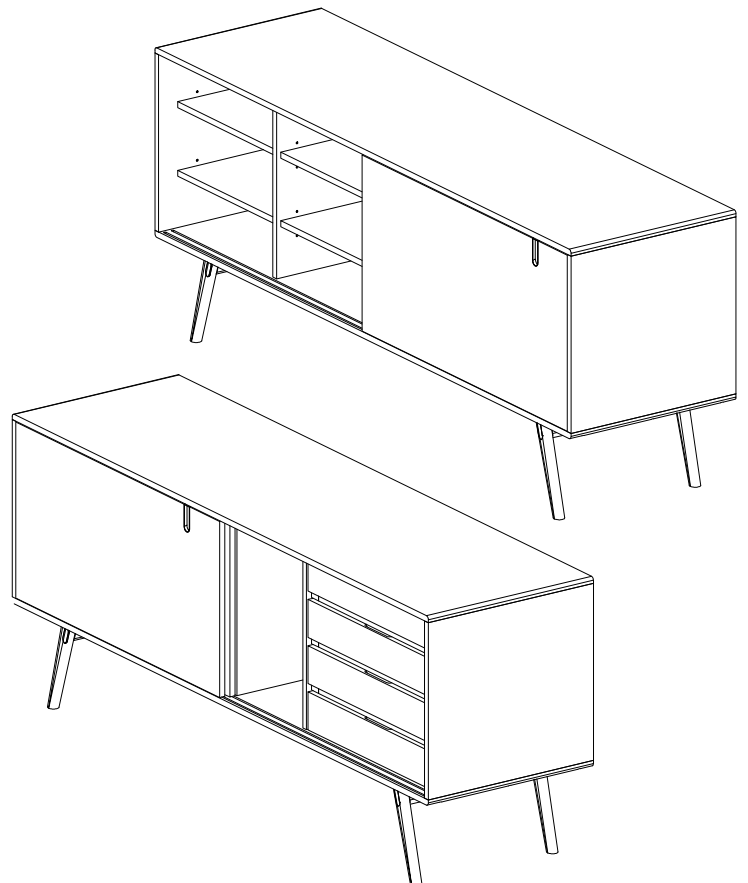
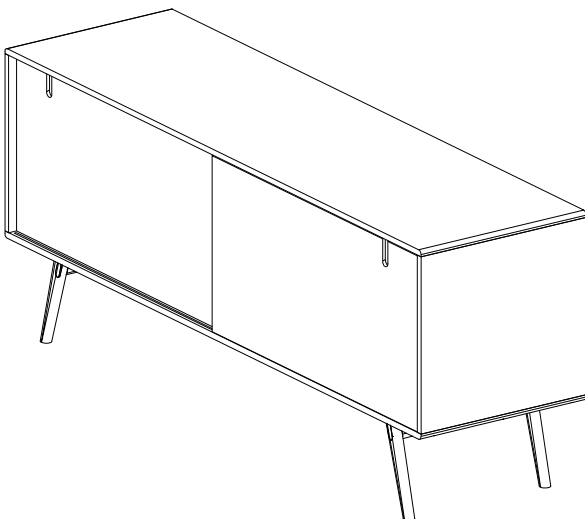
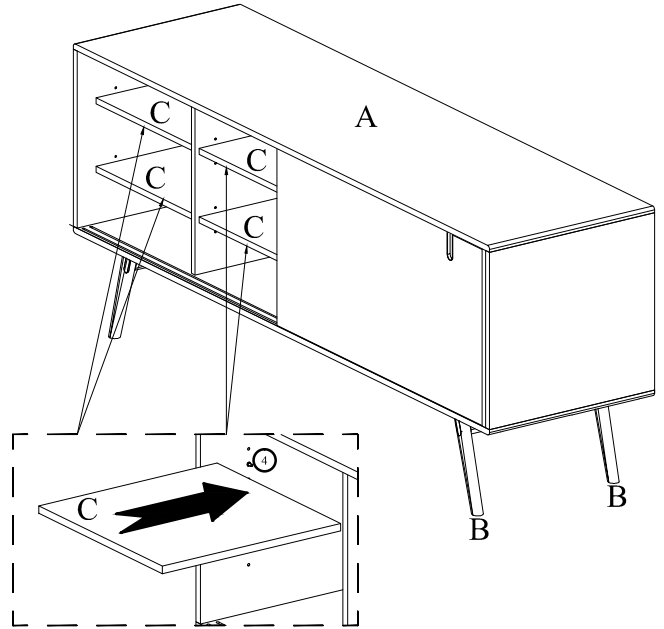
L1800 x W500 x H750 mm

ASSEMBLY INSTRUCTIONS

STEP 4



STEP 5



FINISHED