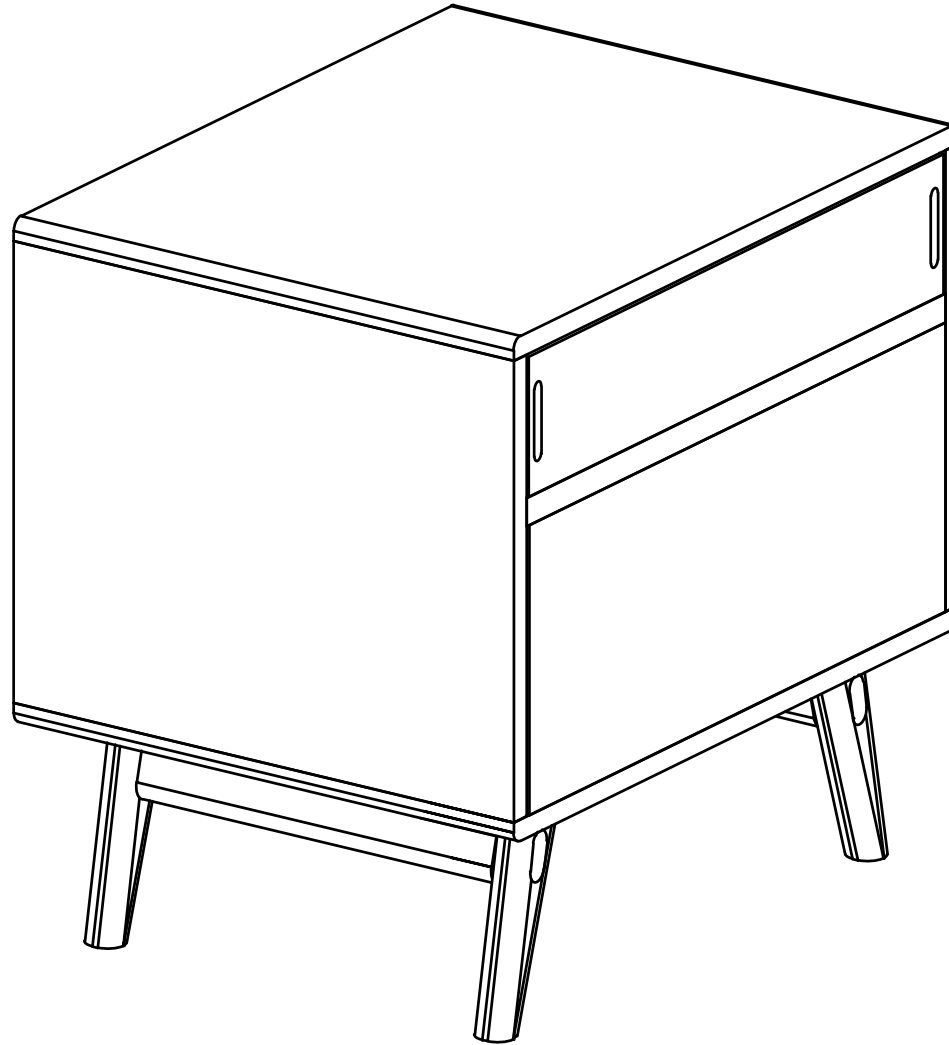


HARU



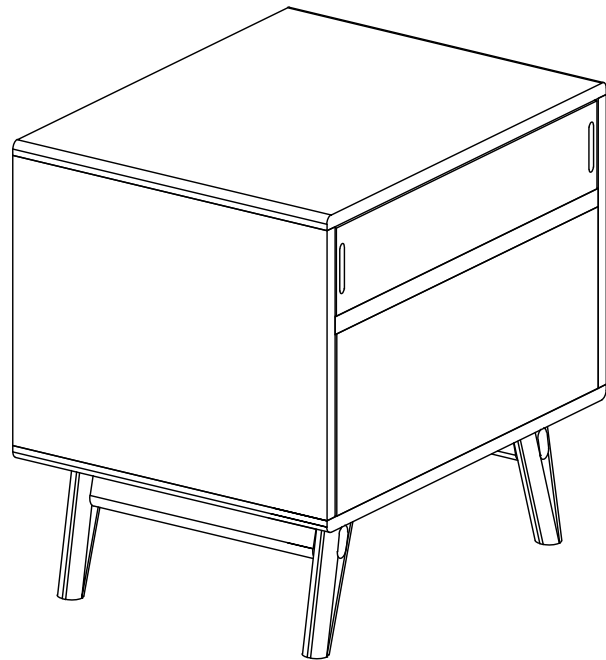
MODLOFT



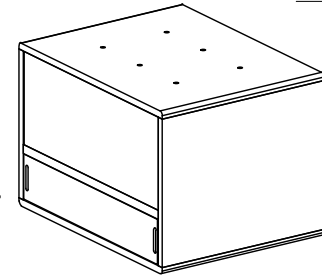
ASSEMBLY INSTRUCTION

HARU DE-SKA-014636

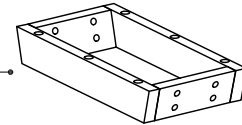
PARTS



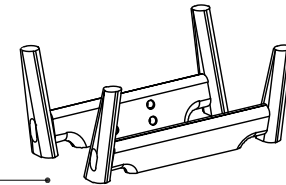
① x 1



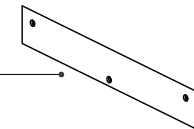
② x 1



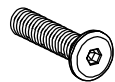
③ x 2 (Left - Right)



④ x 1



HARDWARE



M8x35mm

Ⓐ x 8



M6x30mm

Ⓑ x 8



Ø8x12

Ⓒ x 8



Ø8x16

Ⓓ x 8



M4mm

Ⓔ x 8

TOOL



4mm

Ⓕ x 1

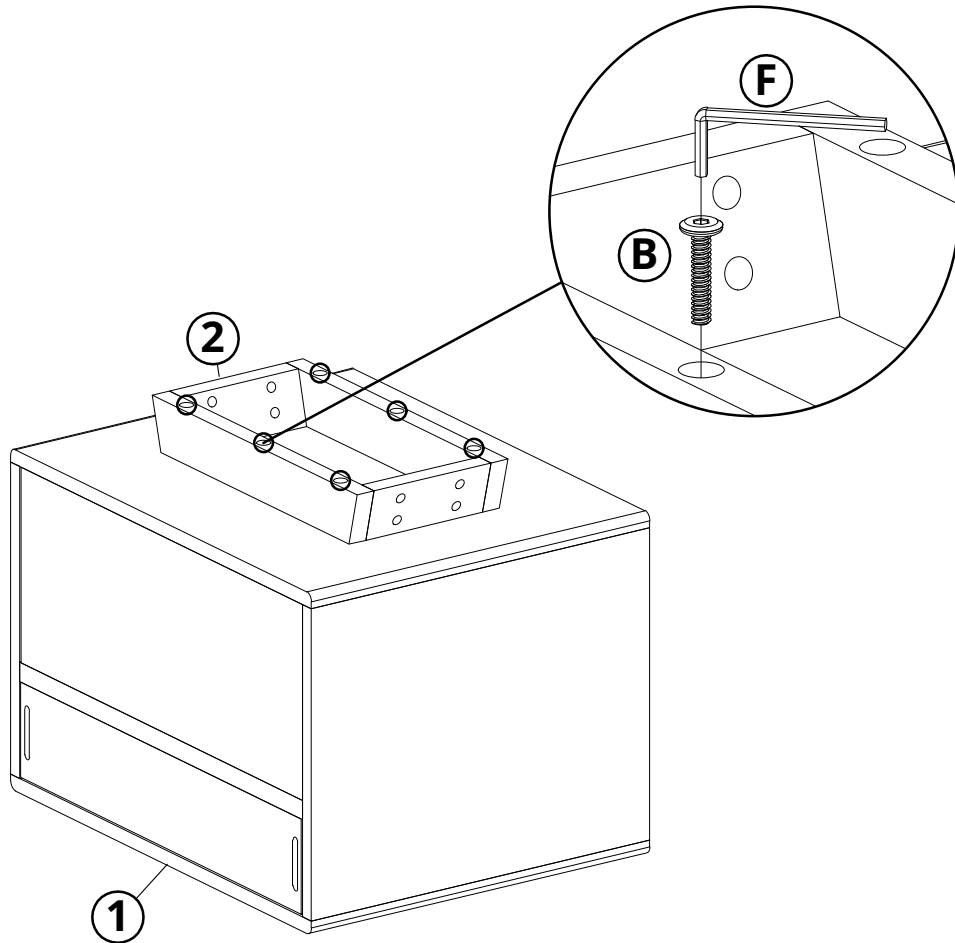


ASSEMBLY INSTRUCTION

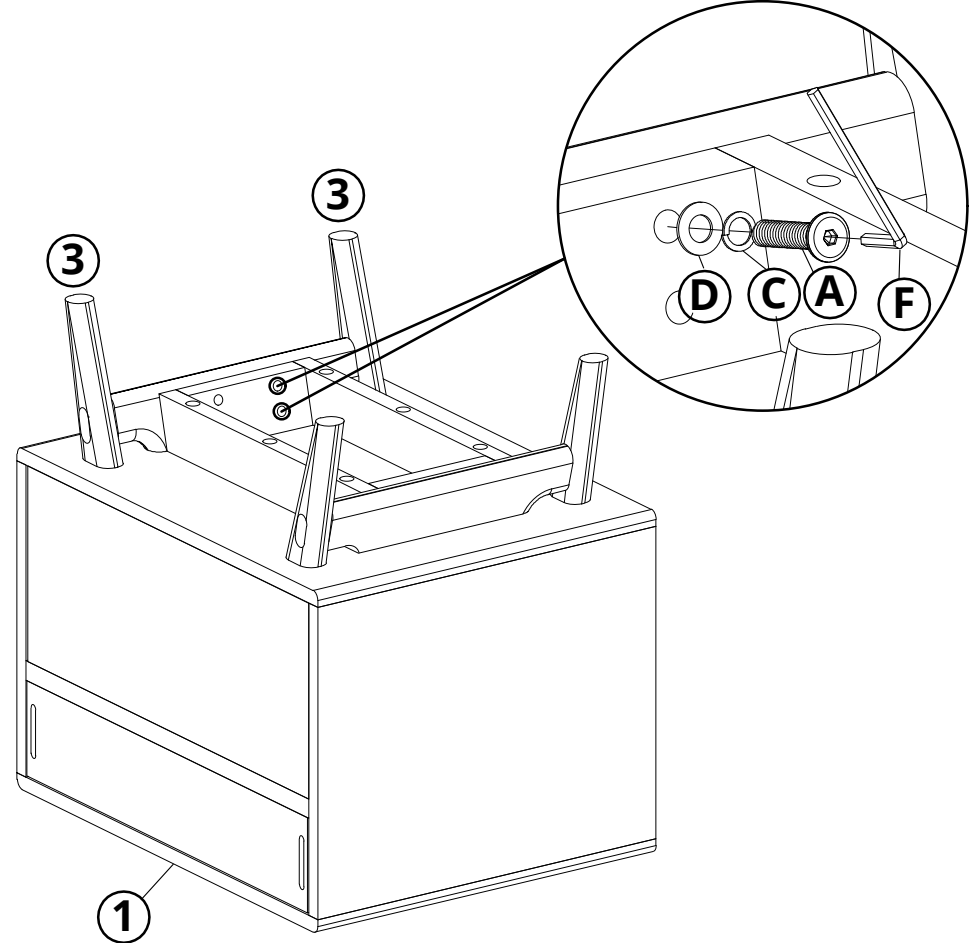
HARU DE-SKA-014636

USE LEG

STEP 1

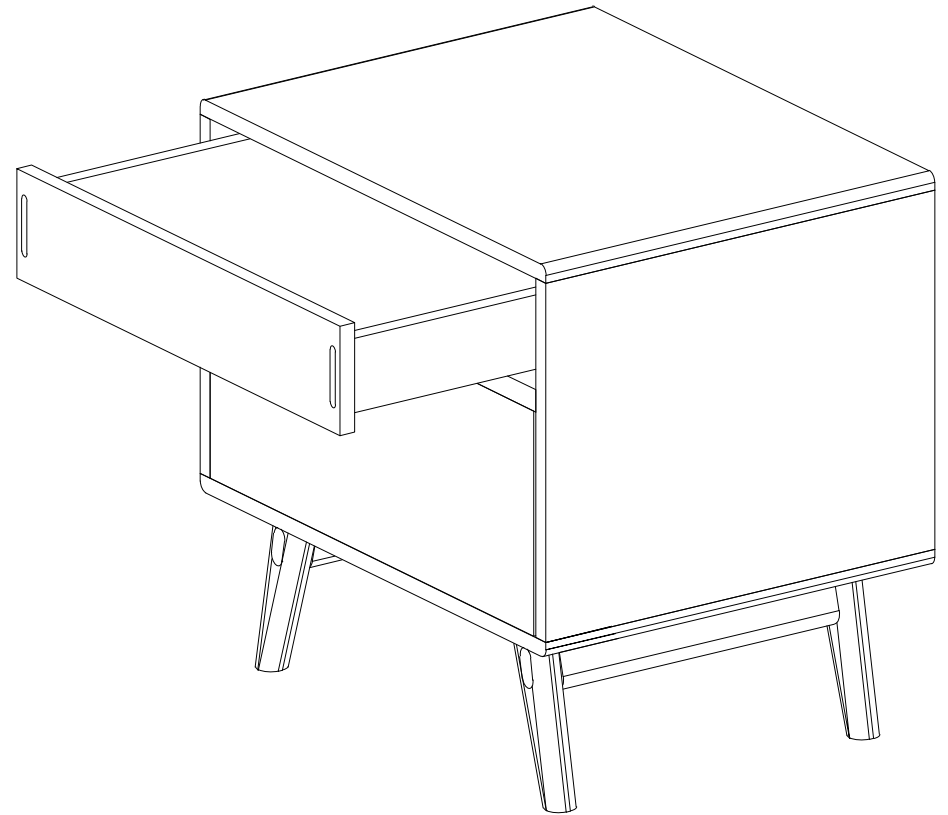
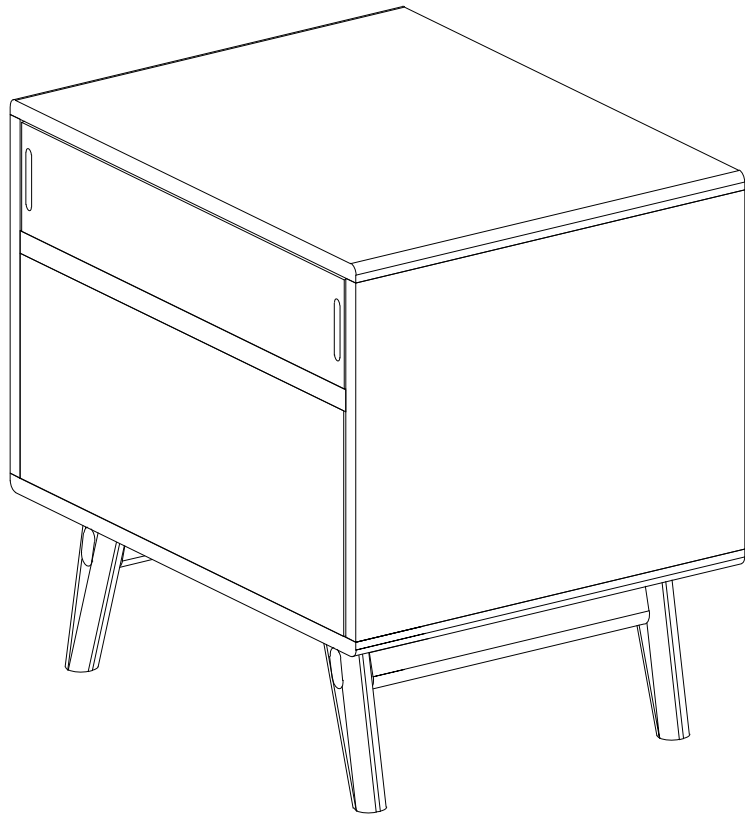


STEP 2





ASSEMBLY INSTRUCTION
HARU DE-SKA-014636





ASSEMBLY INSTRUCTION
HARU DE-SKA-014636

WALL MOUNT

