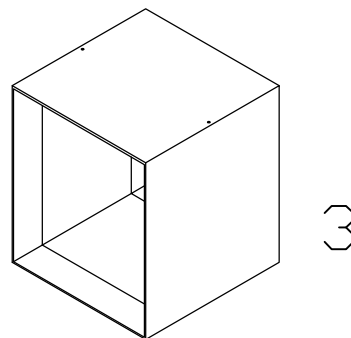
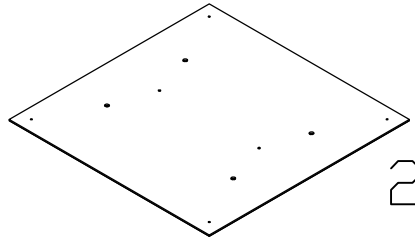
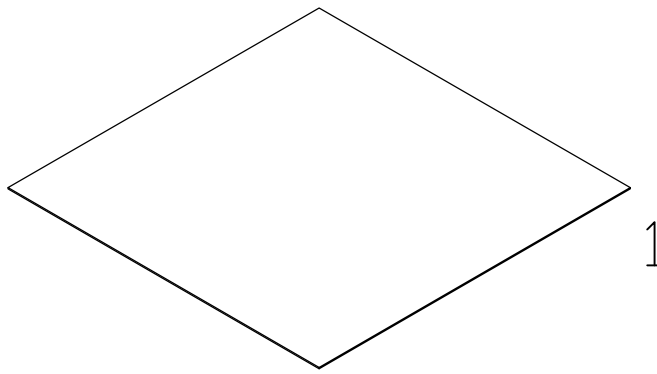
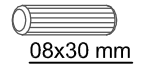


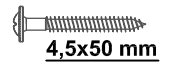
# PARTS



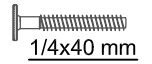
A



B



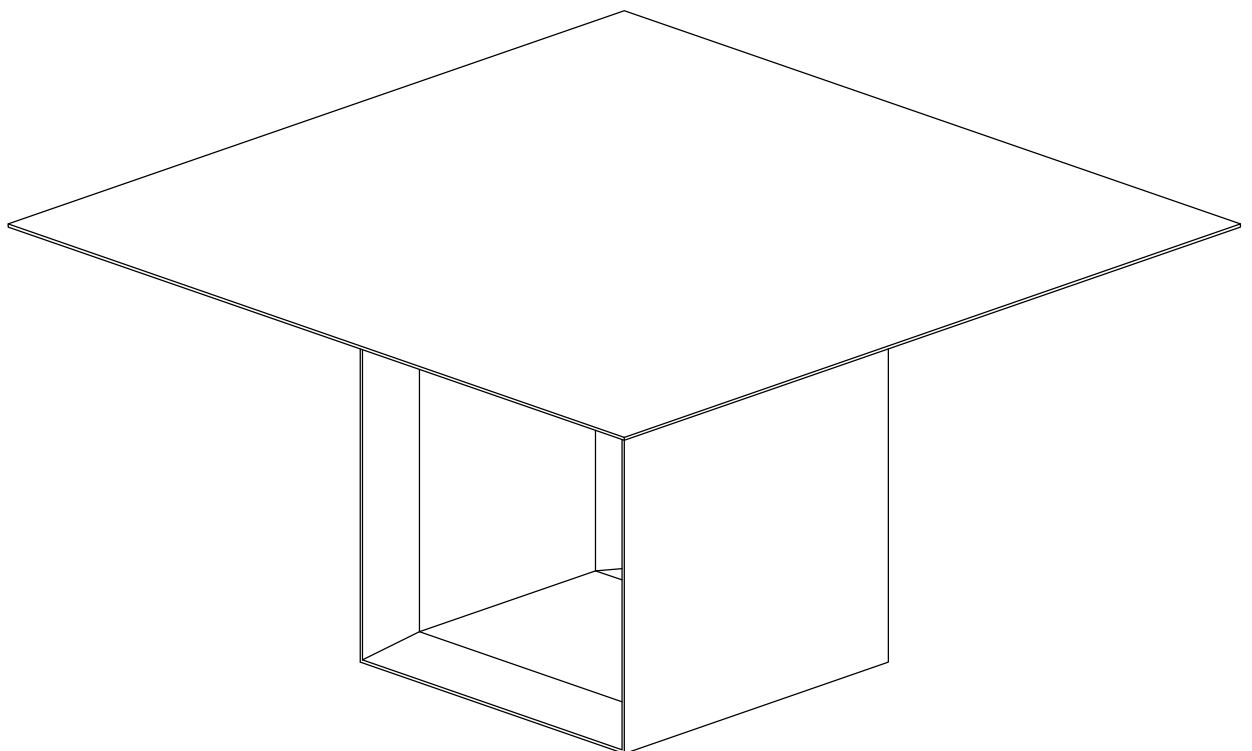
C

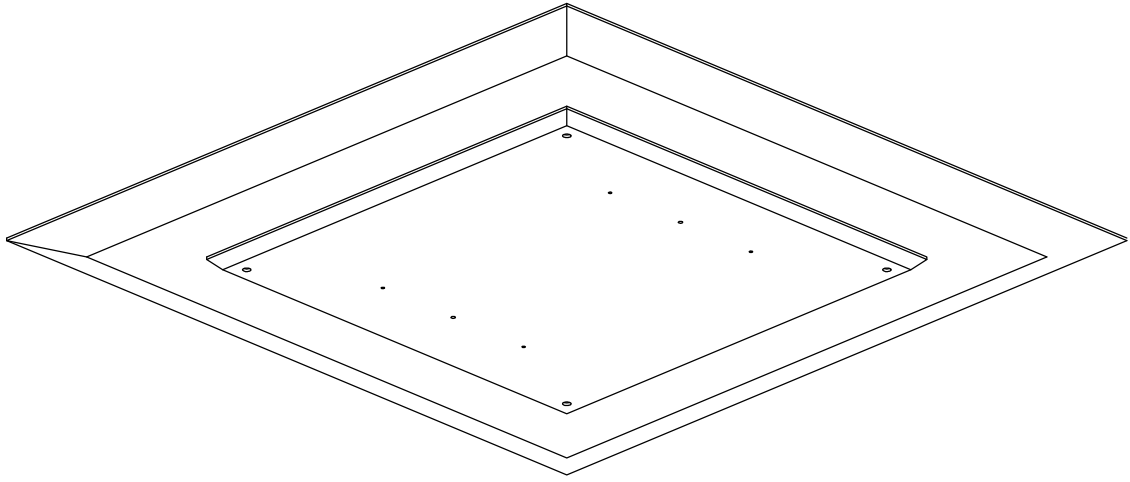


**MODLOFT**®

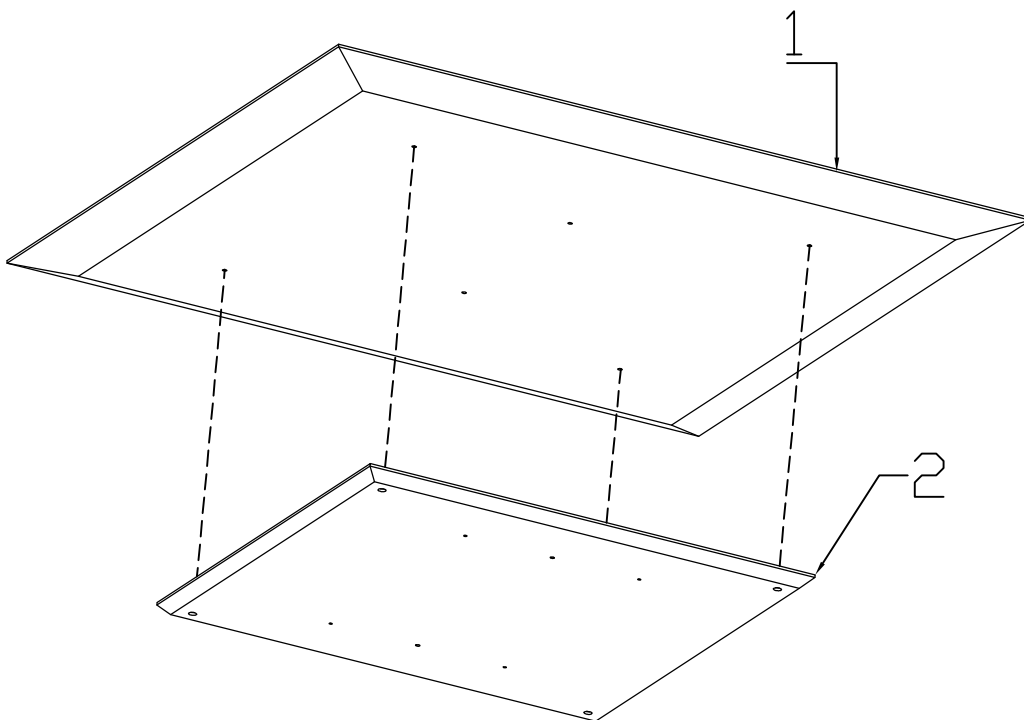
1810 NE 144 ST • NORTH MIAMI, FL • 33181  
MODLOFT.COM

## SQUARE GREENWICH DINING TABLE






Unscrew the inset from the table top, the screws are needed further in the process.

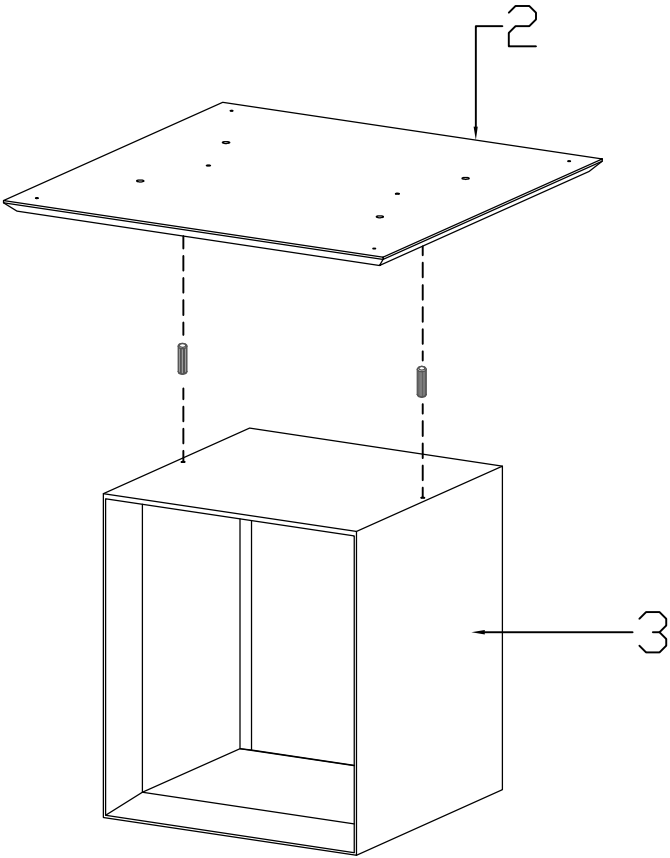


**A**




08x30 mm

**02**

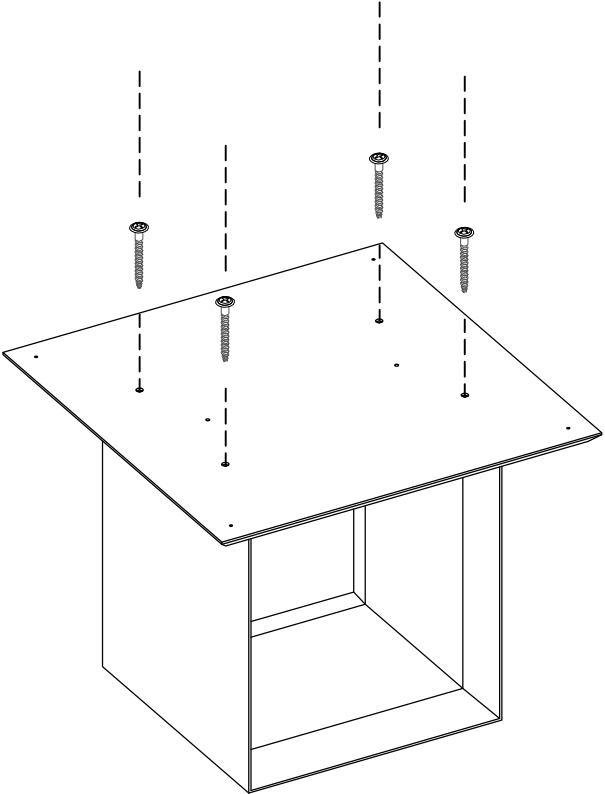


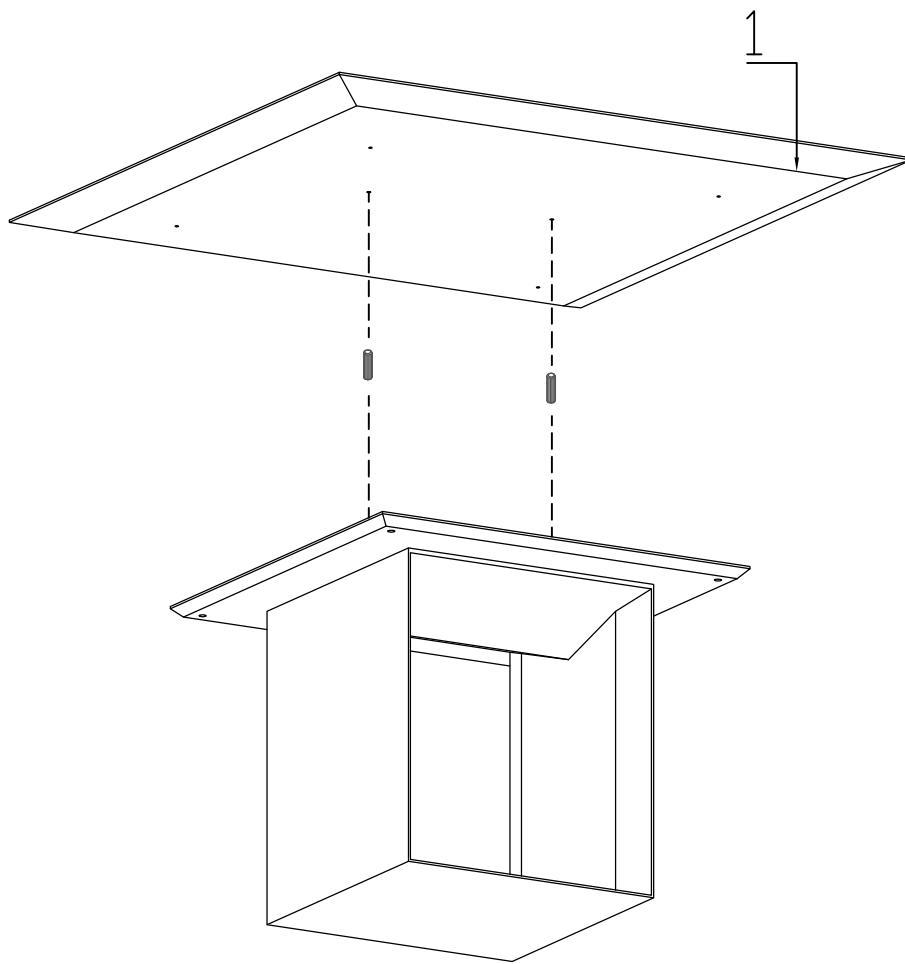
**B**




4,5x50 mm

**04**



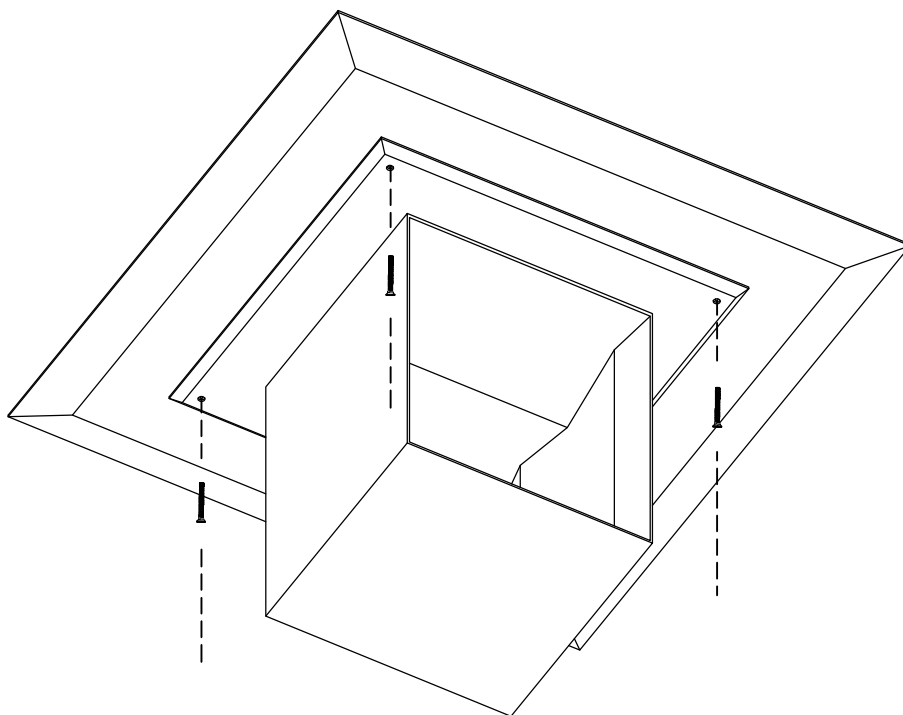


**A**

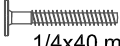


08x30 mm

02



**C**



1/4x40 mm

08