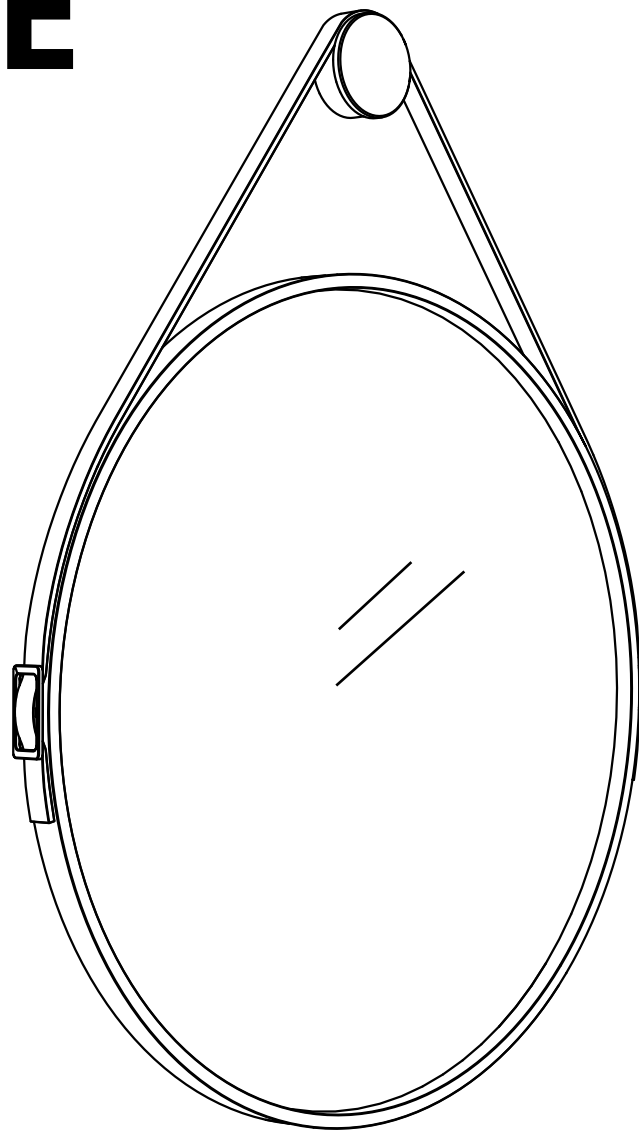


# GEORGE



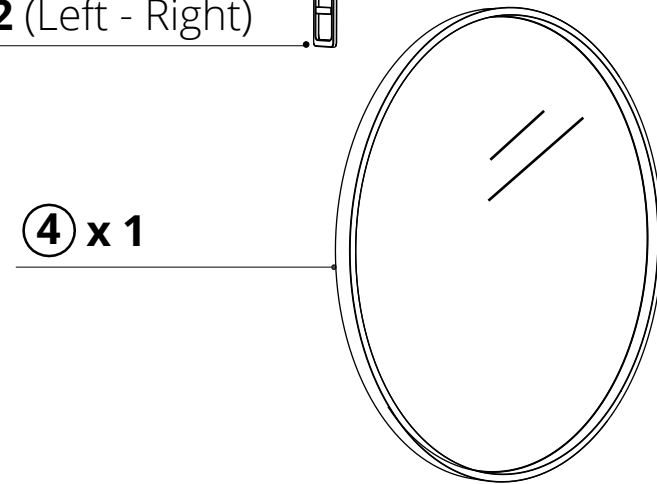
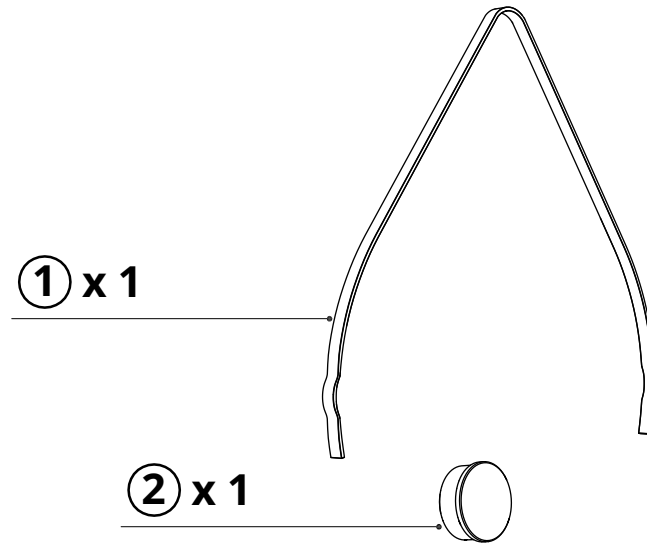
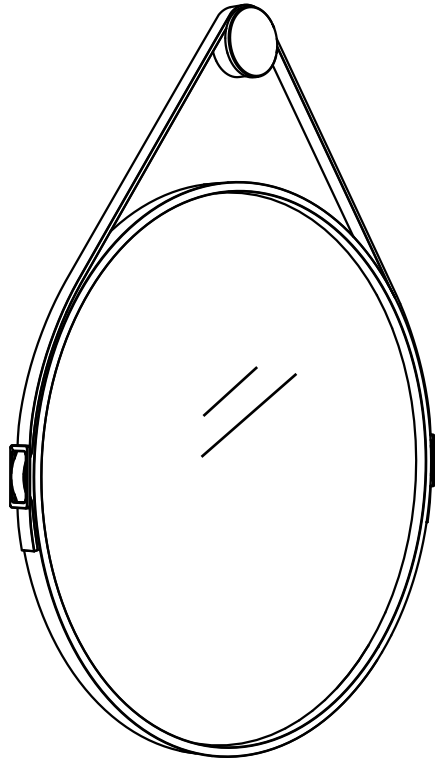
MODLOFT

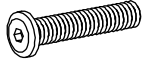
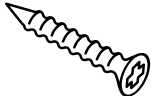
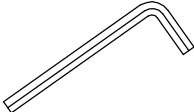


# ASSEMBLY INSTRUCTION

## GEORGE EPB-285

### PARTS



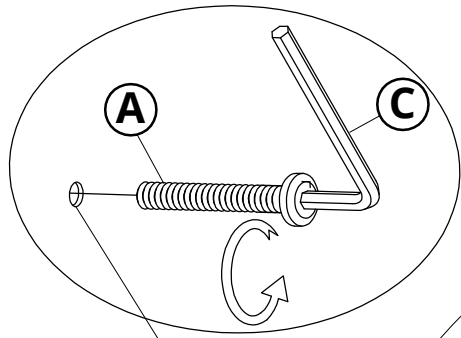
HARDWARE		TOOL
		
<b>A x 4</b>	<b>B x 1</b>	<b>C x 1</b>



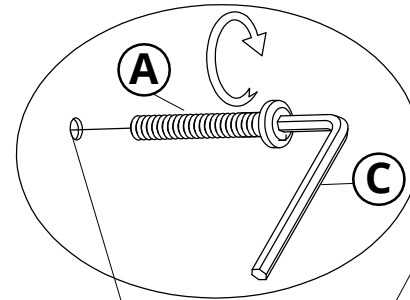
# ASSEMBLY INSTRUCTION

## GEORGE EPB-285

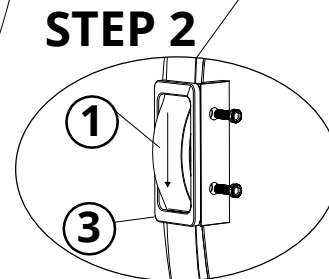
BACK VIEW



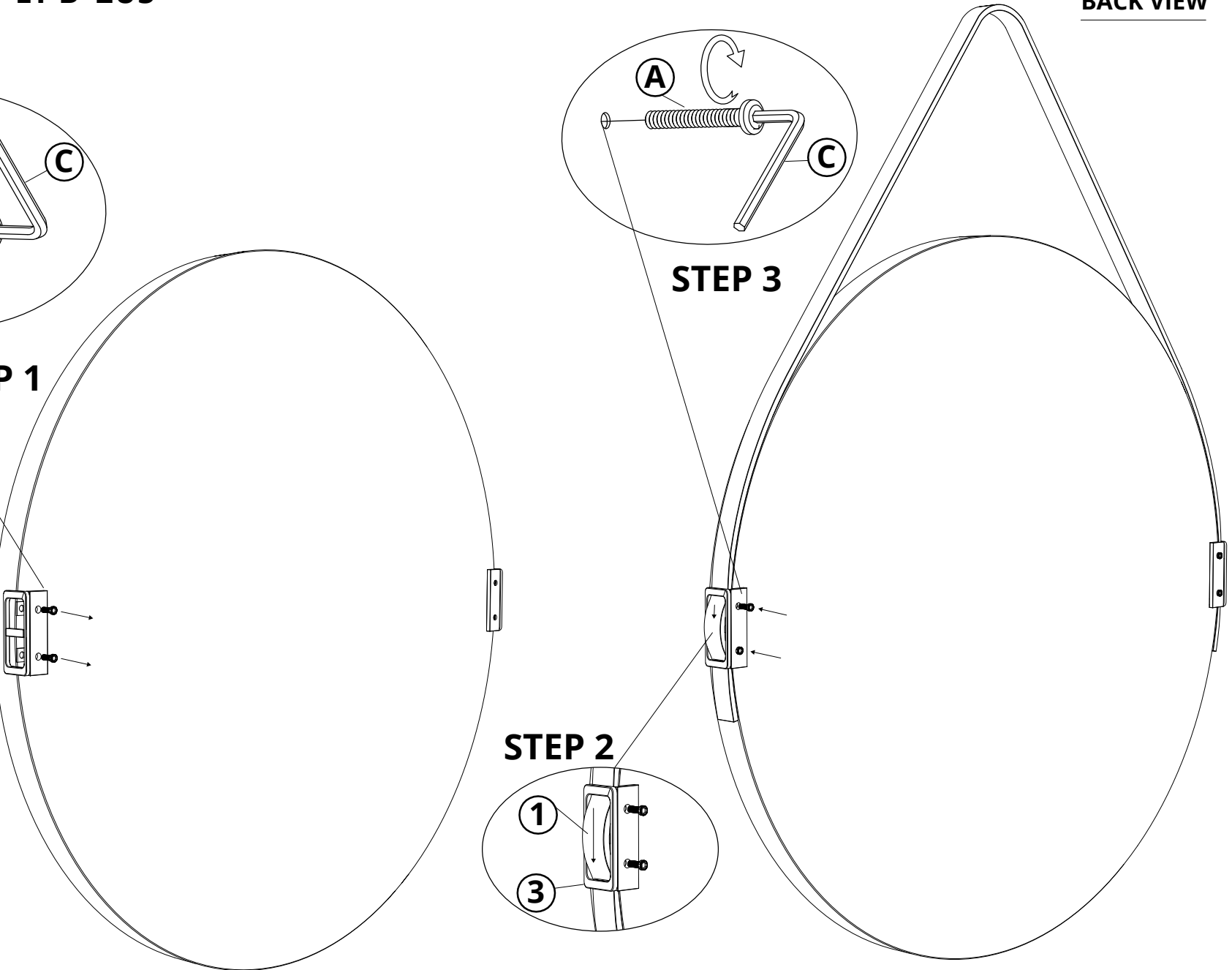
**STEP 1**



**STEP 3**



**STEP 2**





**ASSEMBLY INSTRUCTION**  
**GEORGE EPB-285**

