


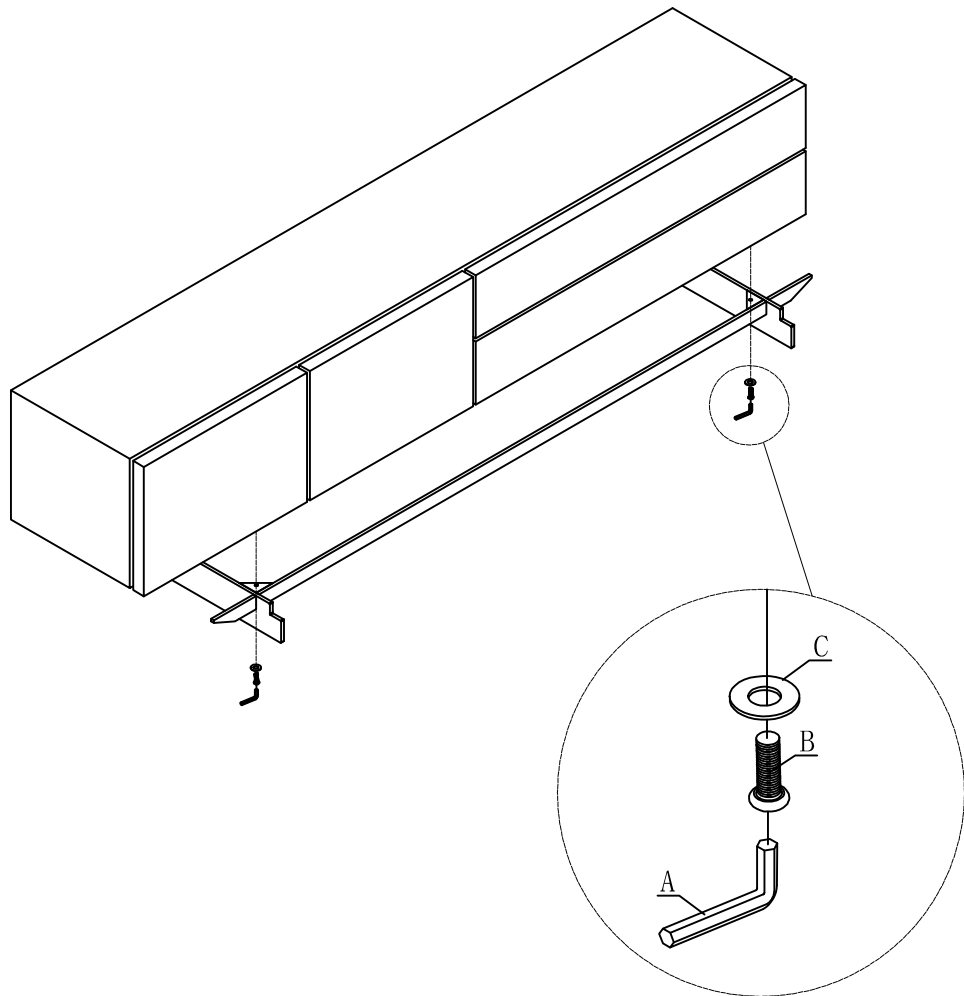


VERSION: MD207

SETTING FITTINGS

| FITTING | SPEC.   | AMOUNT | FITTING | SPEC.   | AMOUNT |
|---------|---|--------|---------|---|--------|
| A       |  4mm           | 1SETS  | B       |  M6*15 | 6PCS   |
| C       |  $\phi 13*6*1$ | 6PCS   |         |   |        |

STEP 1



STEP 2

