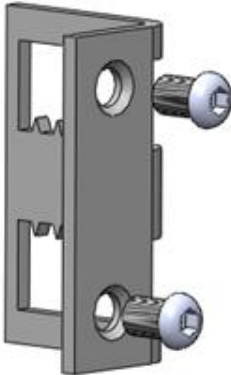
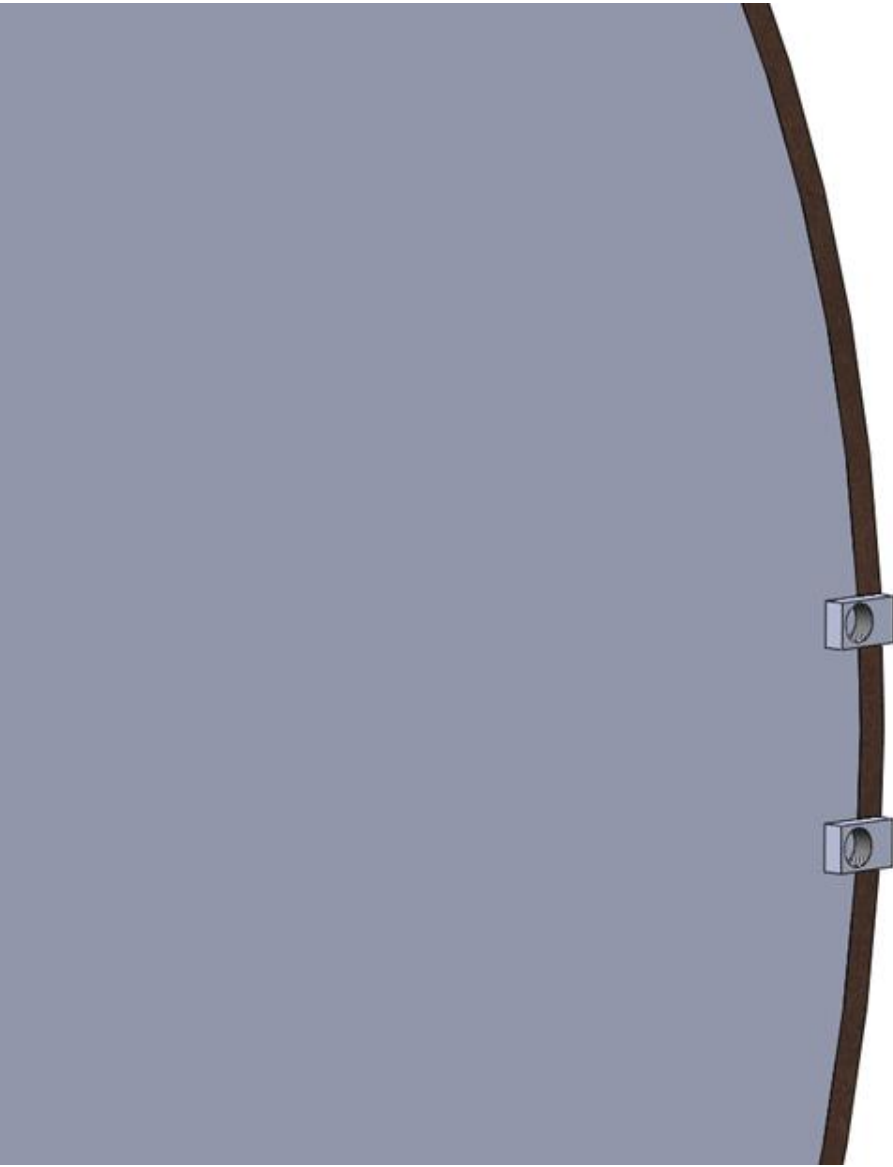


## GEORGE MIRROR ASSEMBLY INSTRUCTION

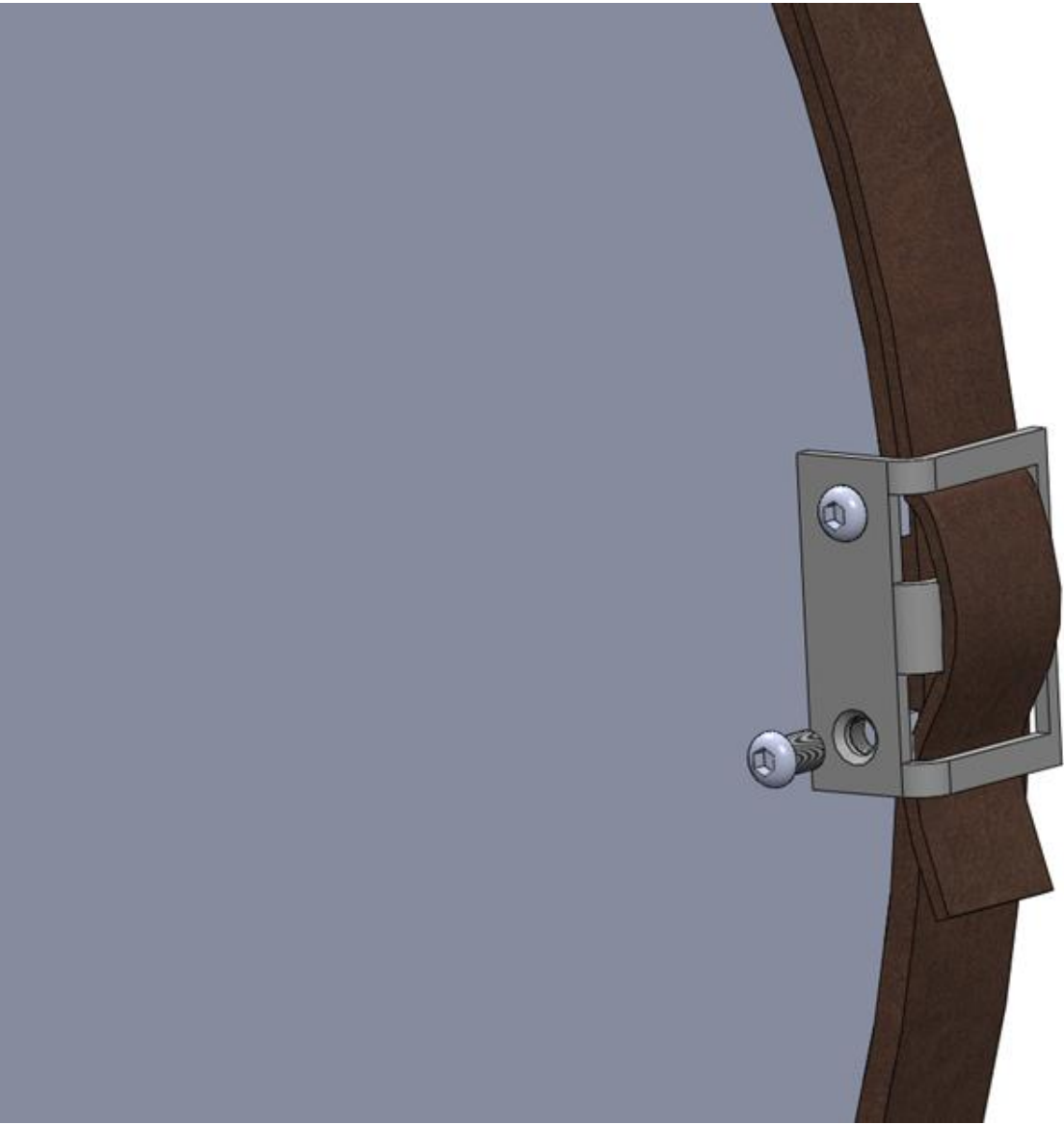




Remove the screws that are strapless

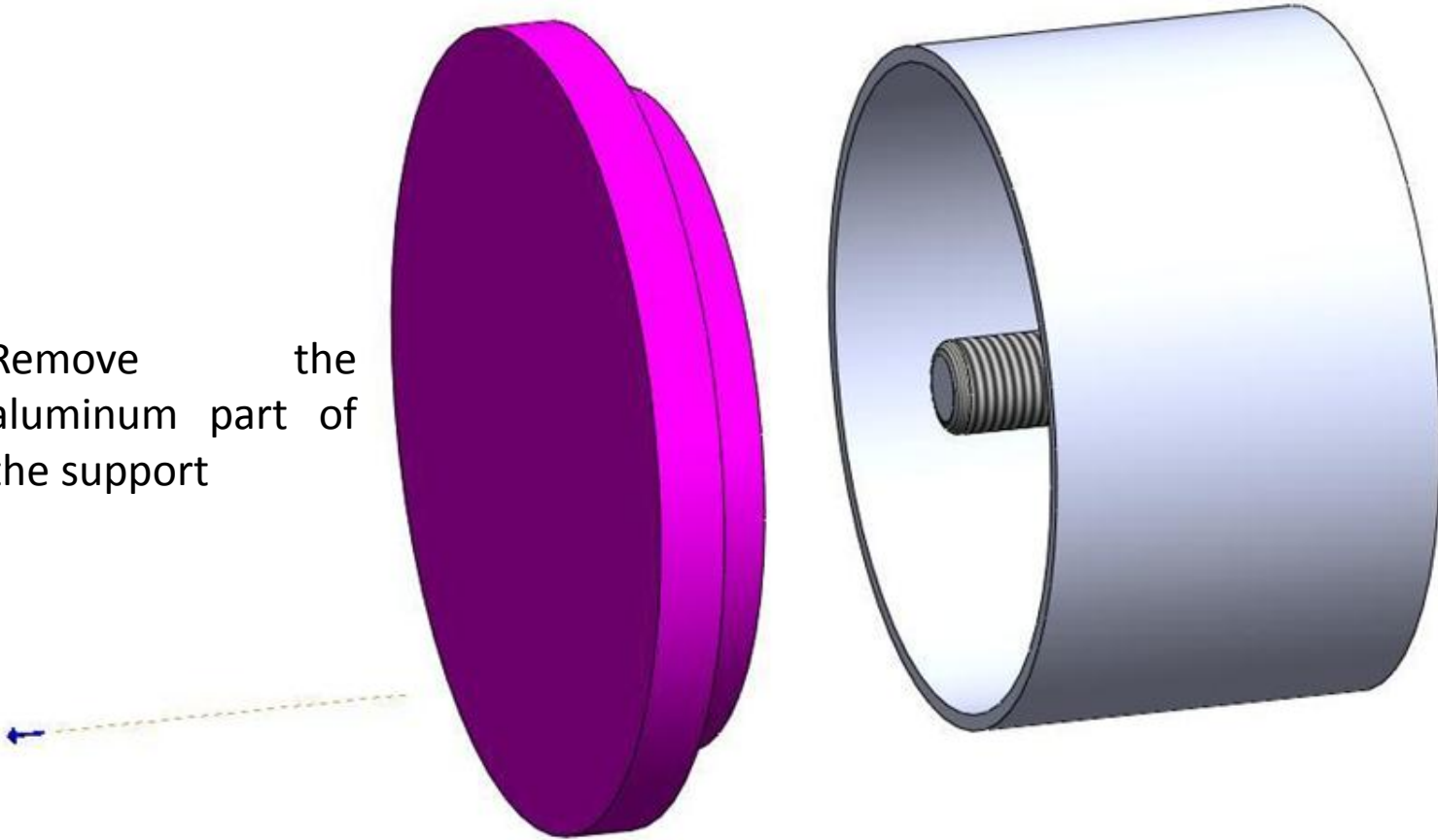


Insert the handle inside the buckle to fix it again in the hoop.



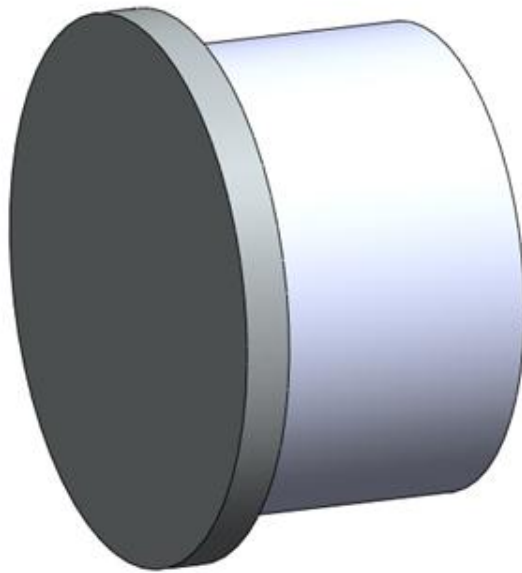
Fasten the buckle with screws.

Remove the aluminum part of the support

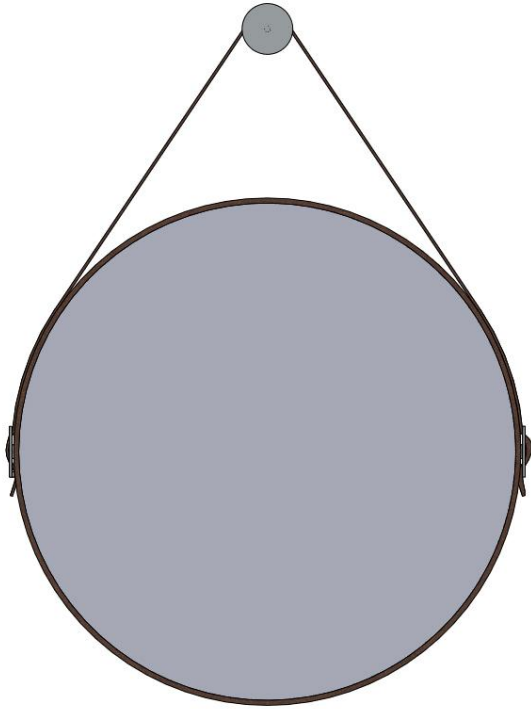




Fix the bracket on the wall through the hole inside the bottom bracket.



Replace the aluminium  
part on the support  
already fixed on the wall.



Hang mirror on bracket attached.