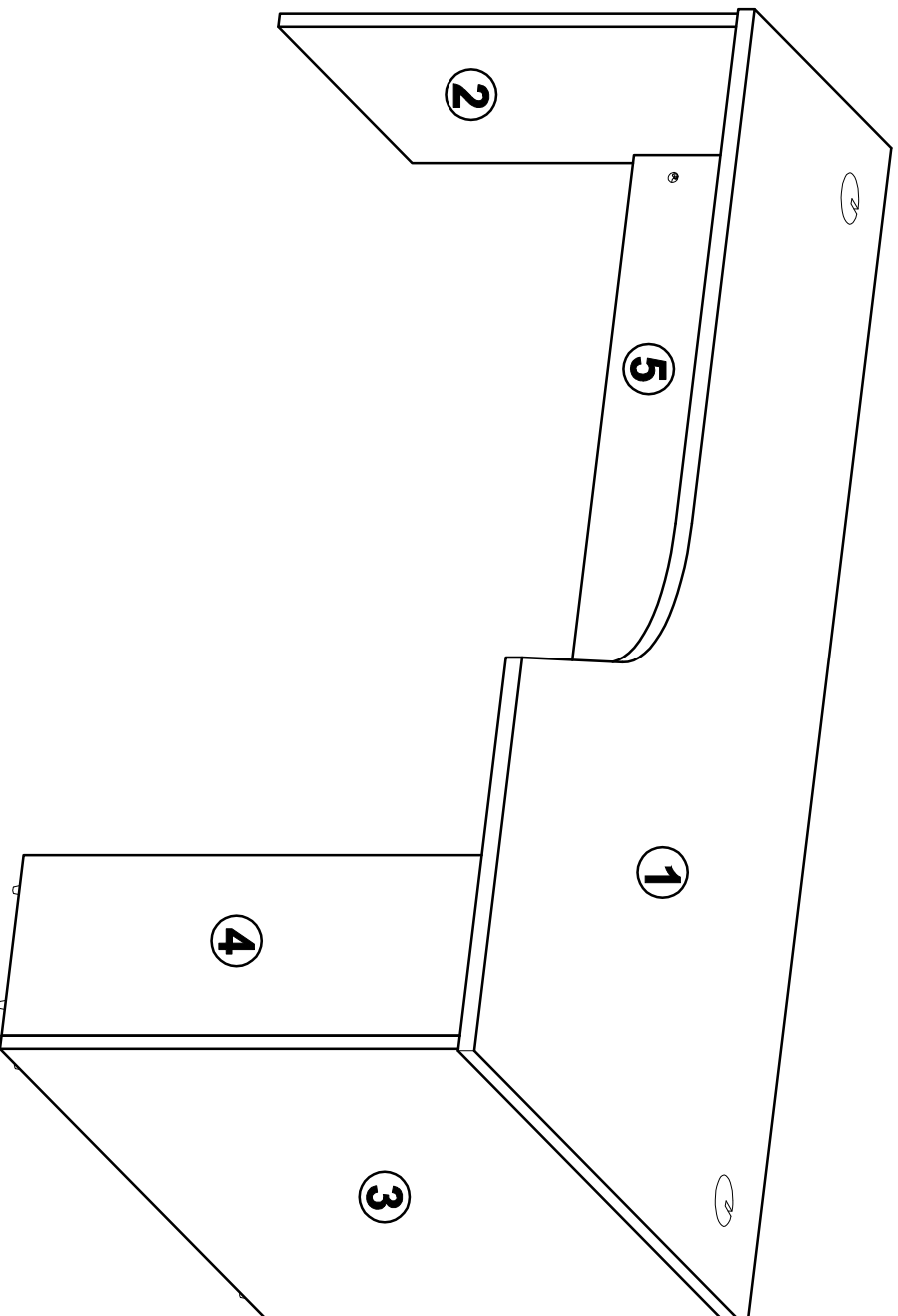


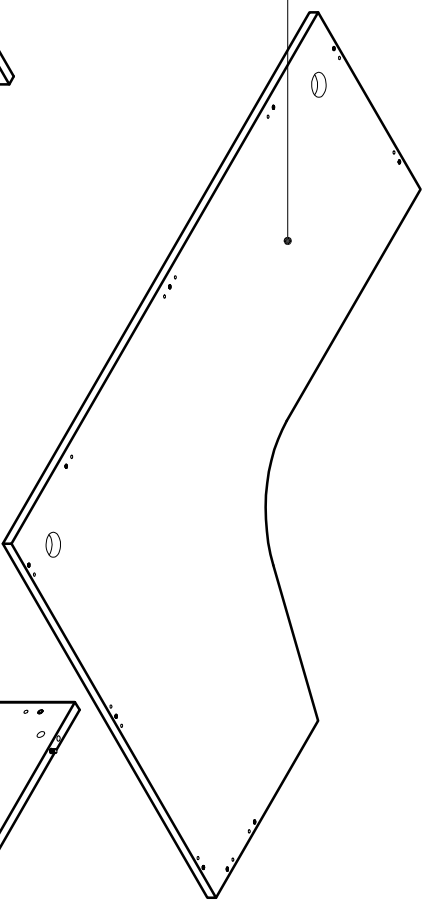
# ASSEMBLY INSTRUCTION

## BROOME- CORNER DESK R

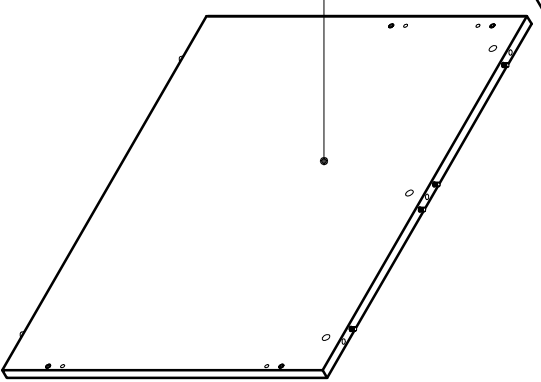


# PARTS

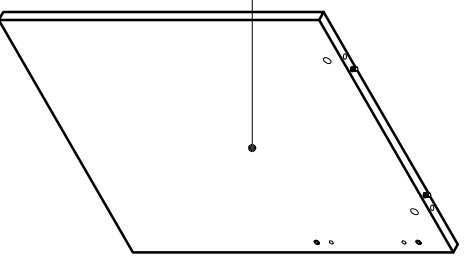
1x1



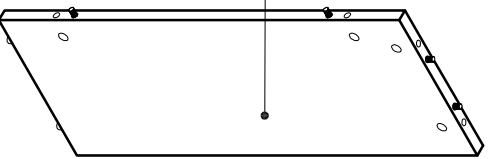
3x1



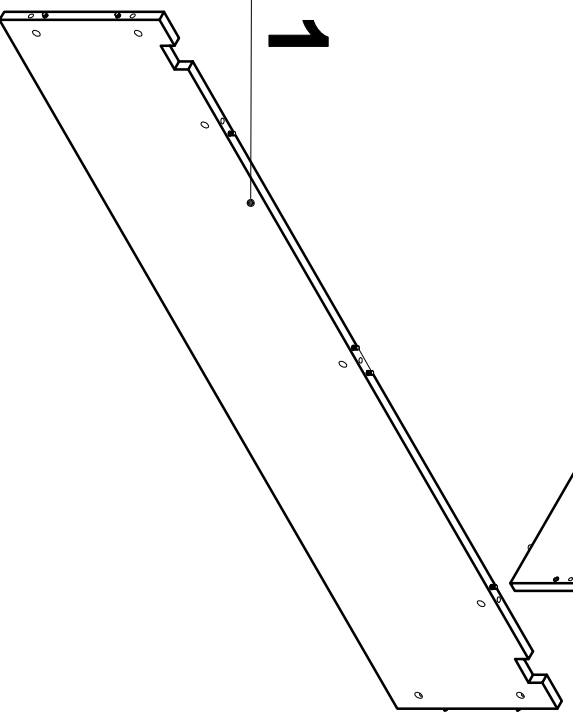
2x1



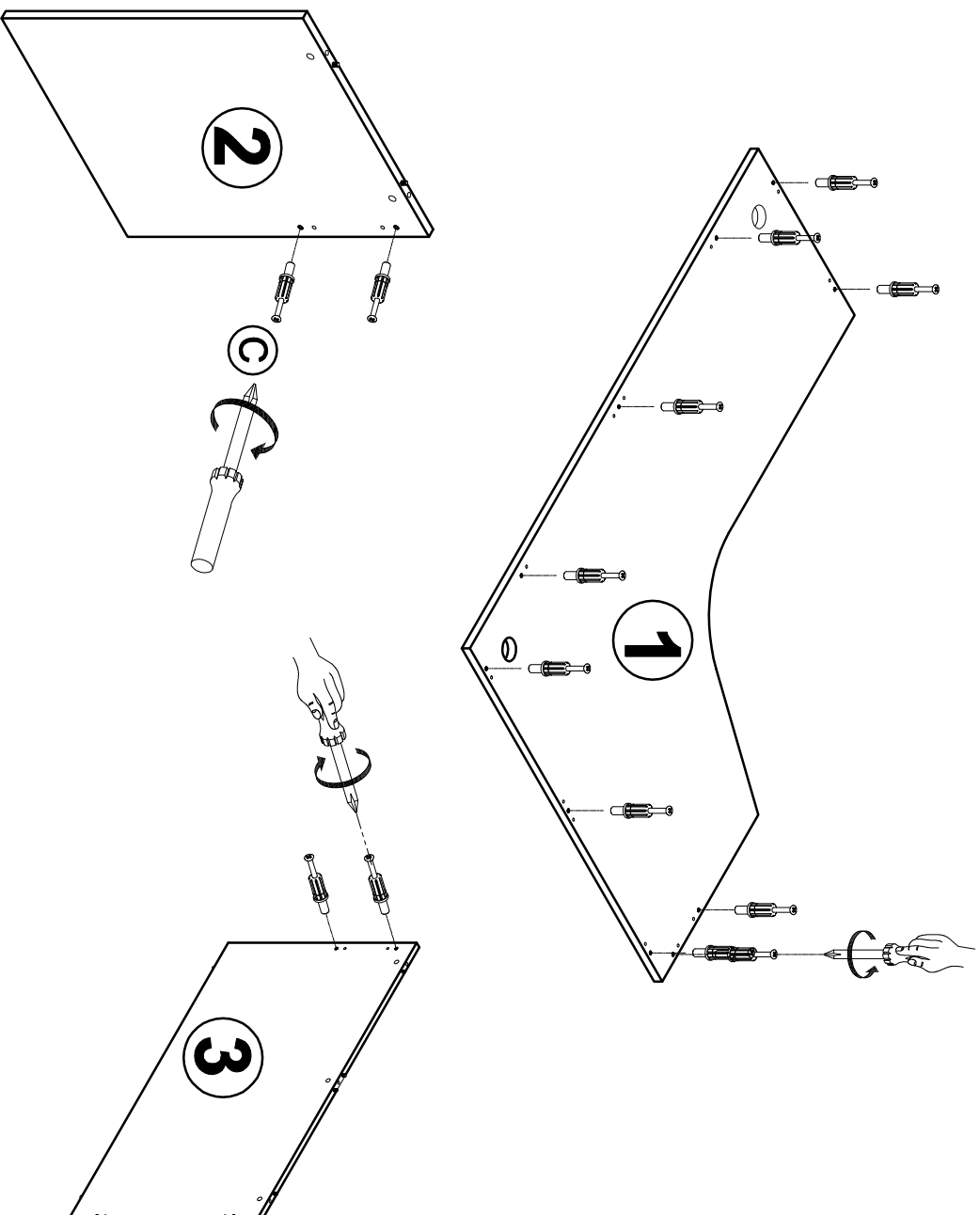
4x1



5x1



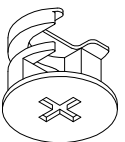
# STEP 1



## HARDWARE



**A** x 2

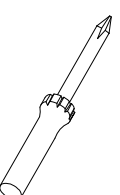


**B** x 16

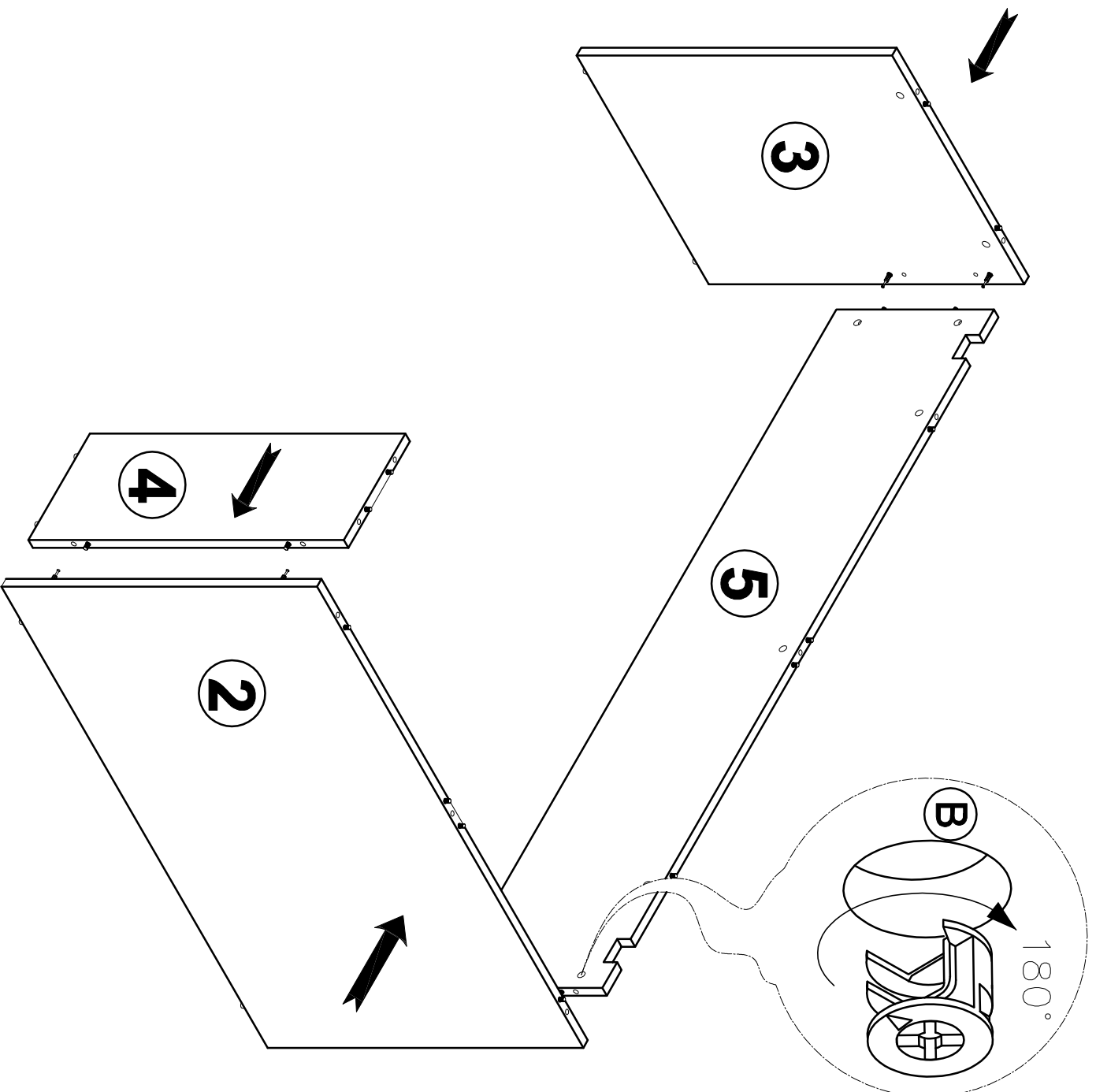


**C** x 16

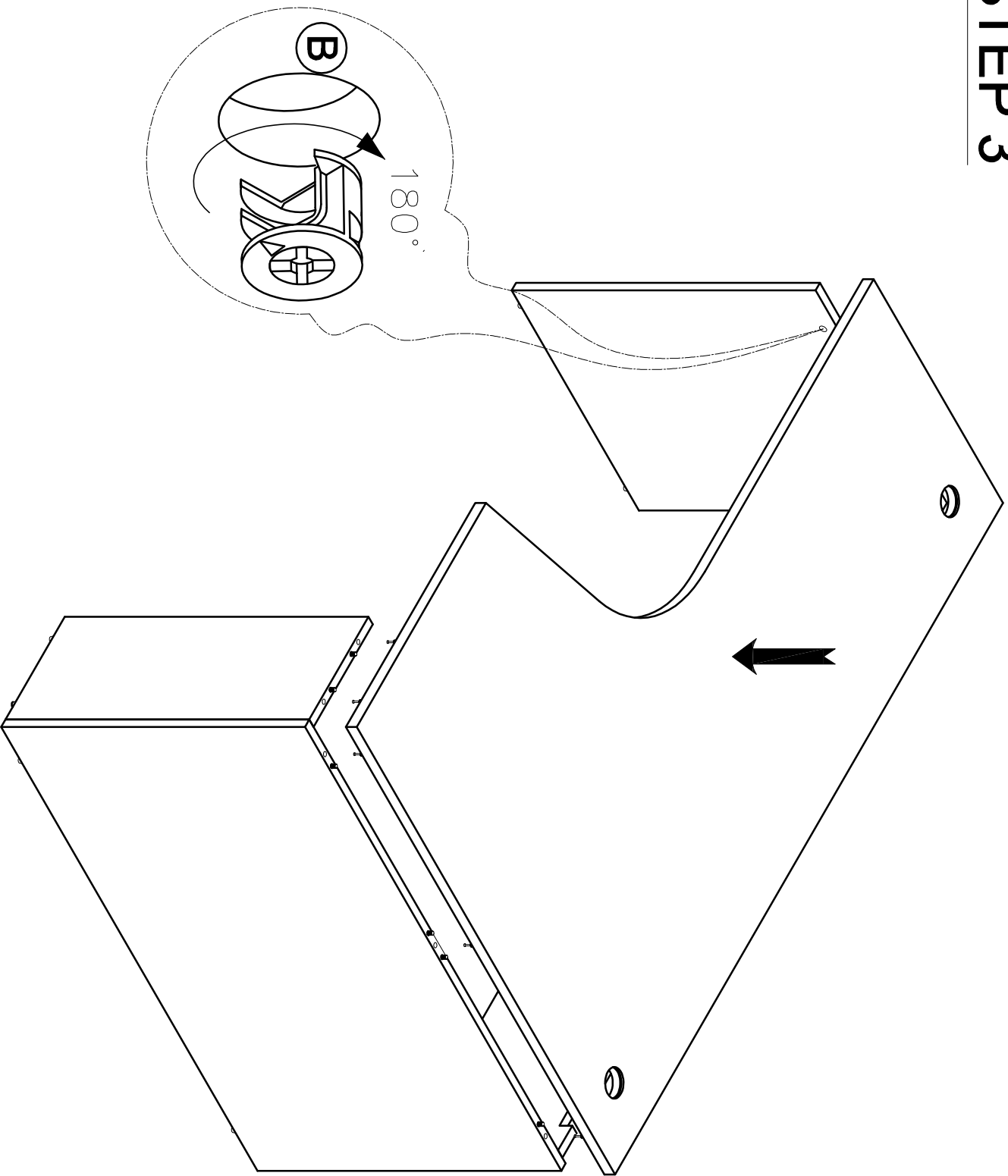
## TOOL



# STEP 2



# STEP 3



# STEP 4

