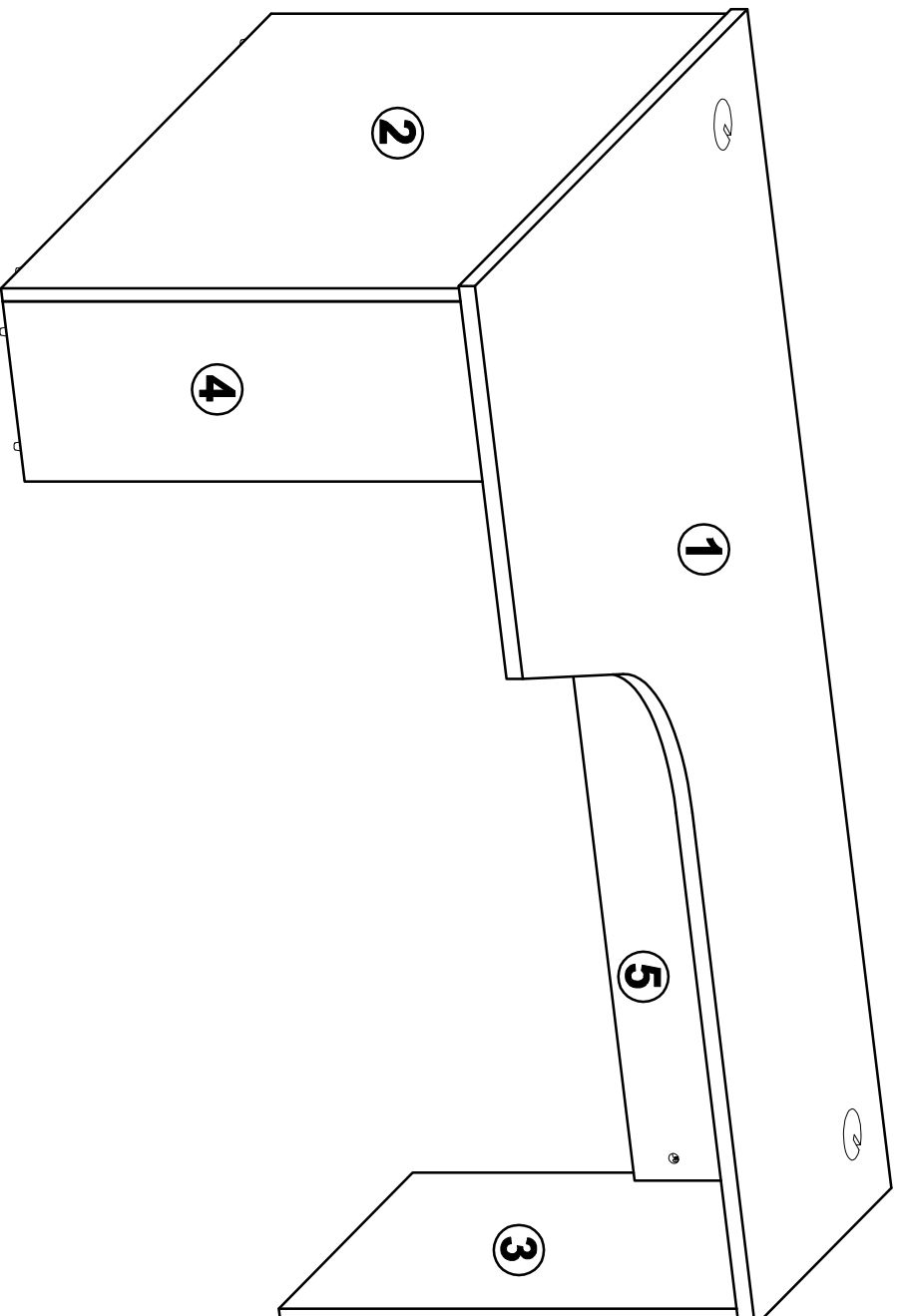


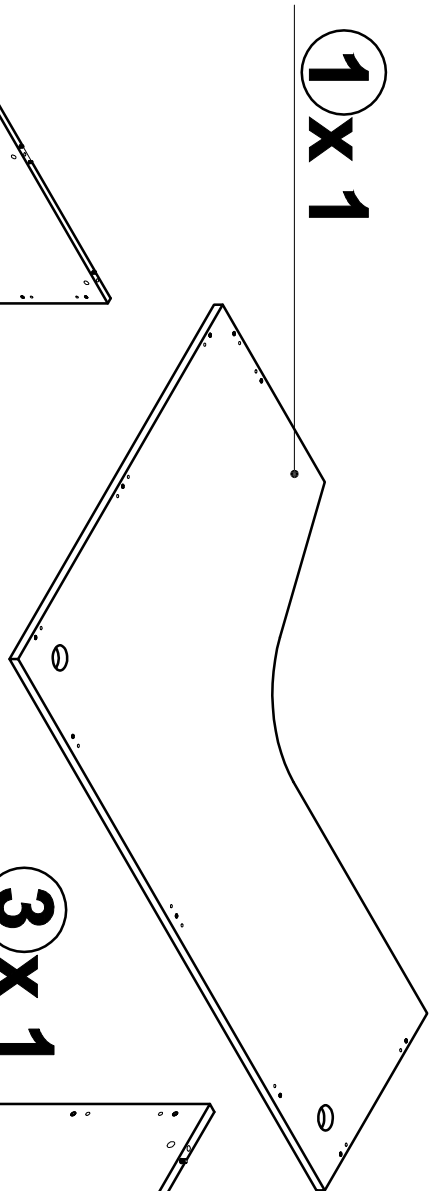
ASSEMBLY INSTRUCTION

BROOME - CORNER DESK L

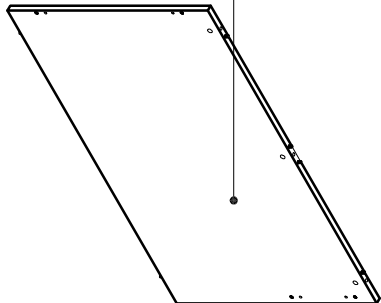


PARTS

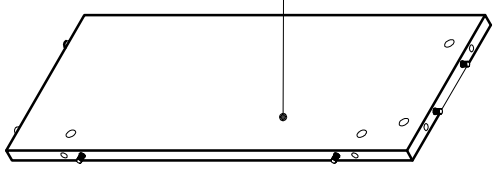
1x1



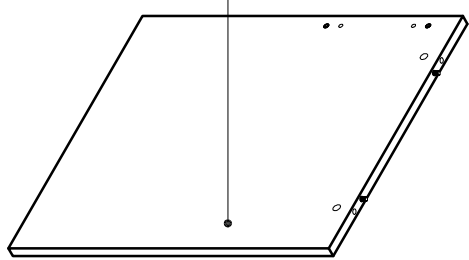
2x1



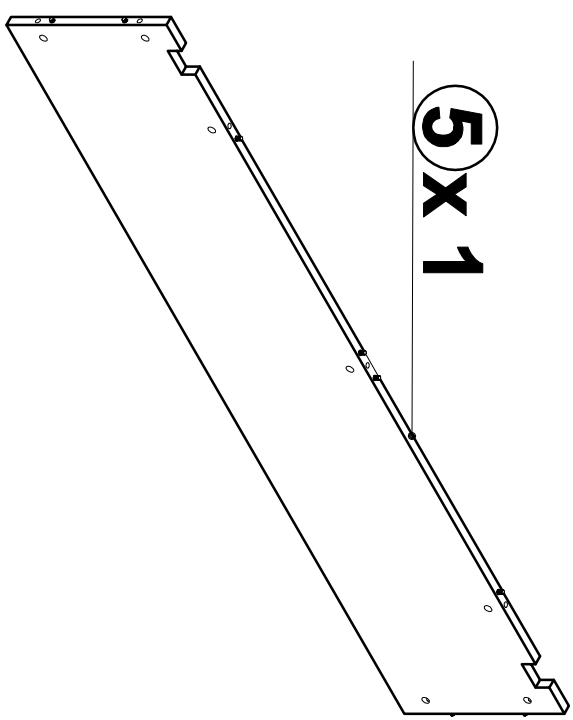
4x1



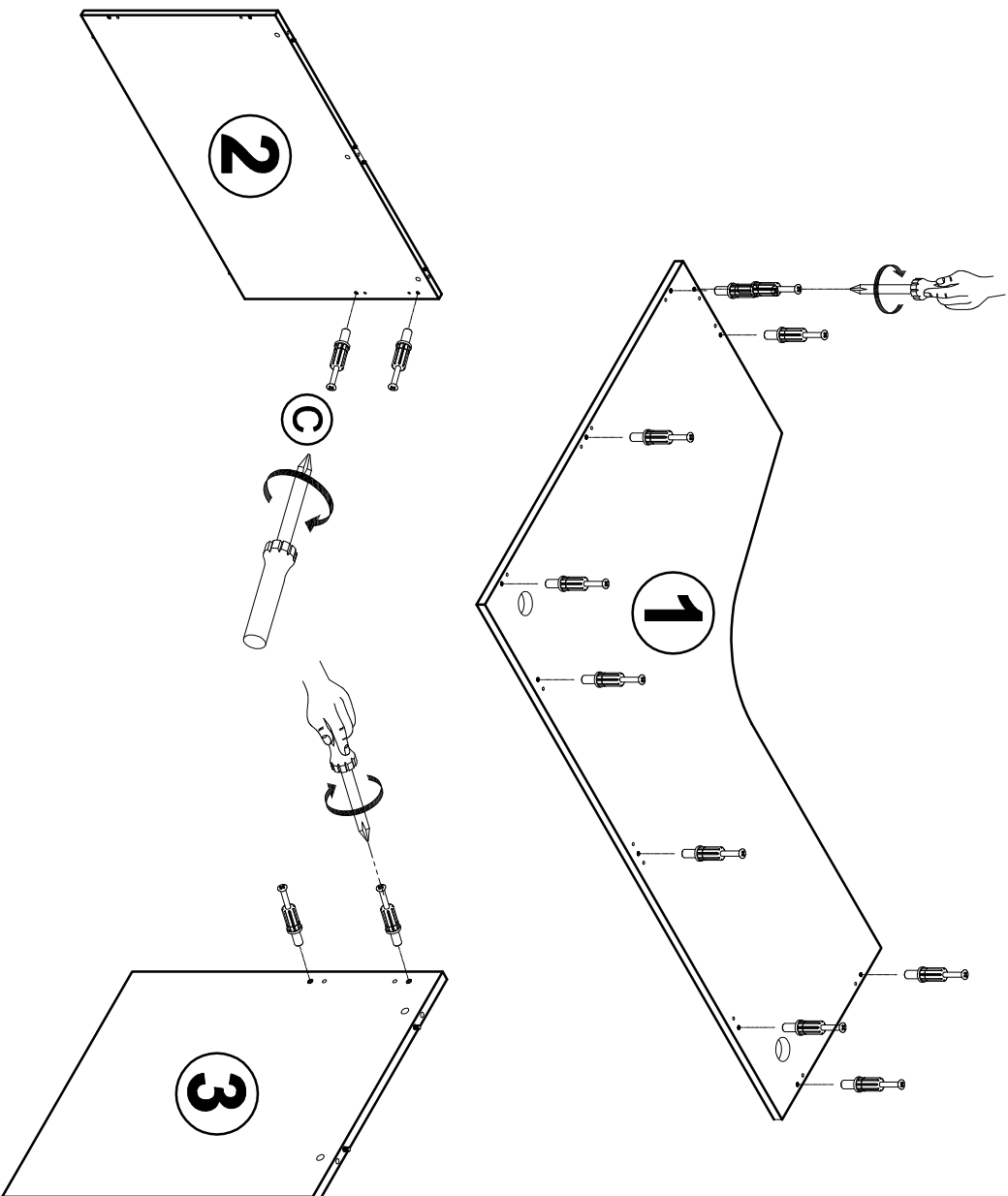
3x1



5x1



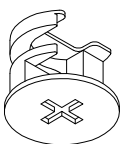
STEP 1



HARDWARE



(A) x 2

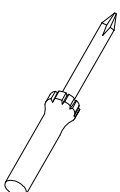


(B) x 16

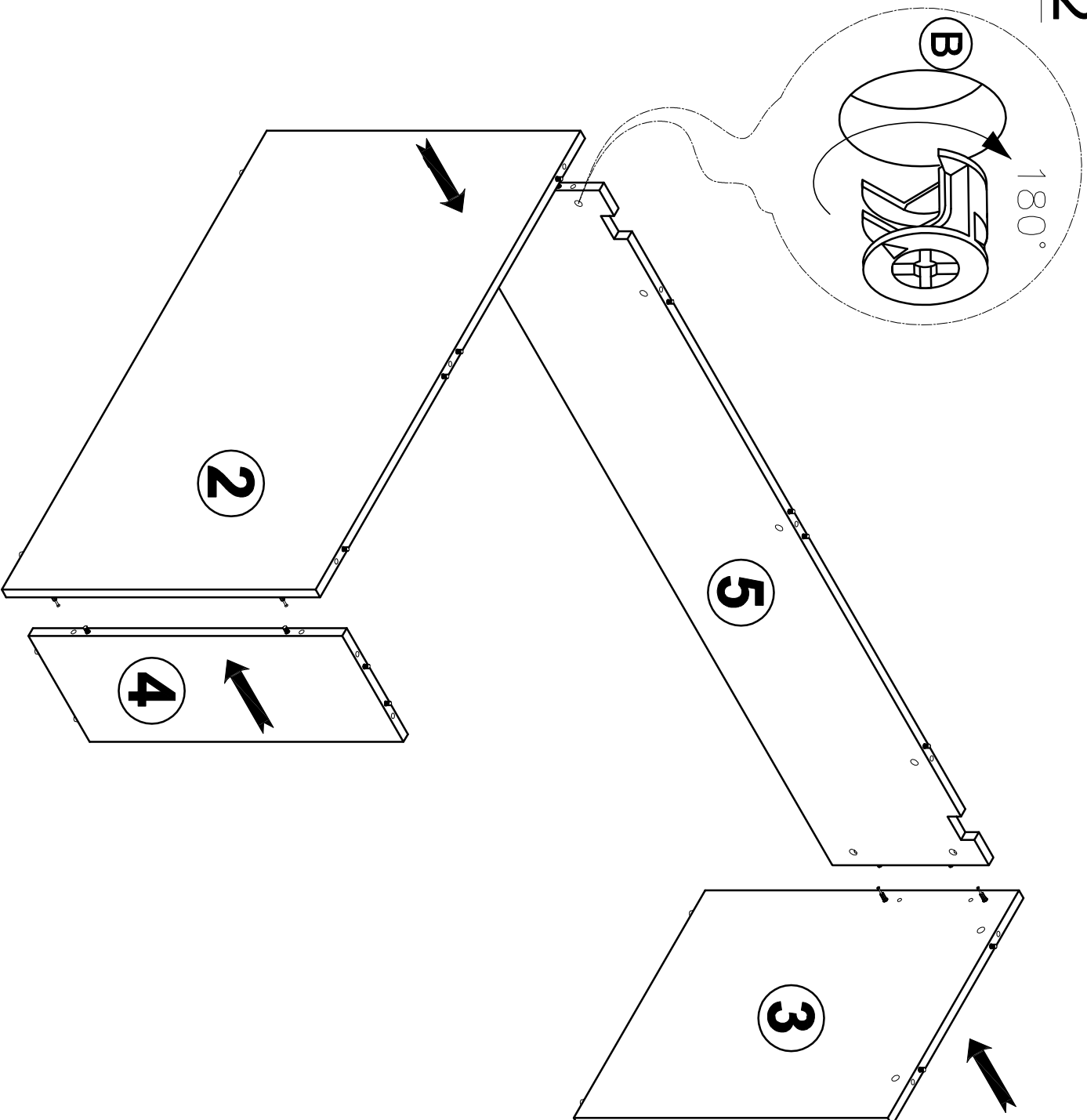


(C) x 16

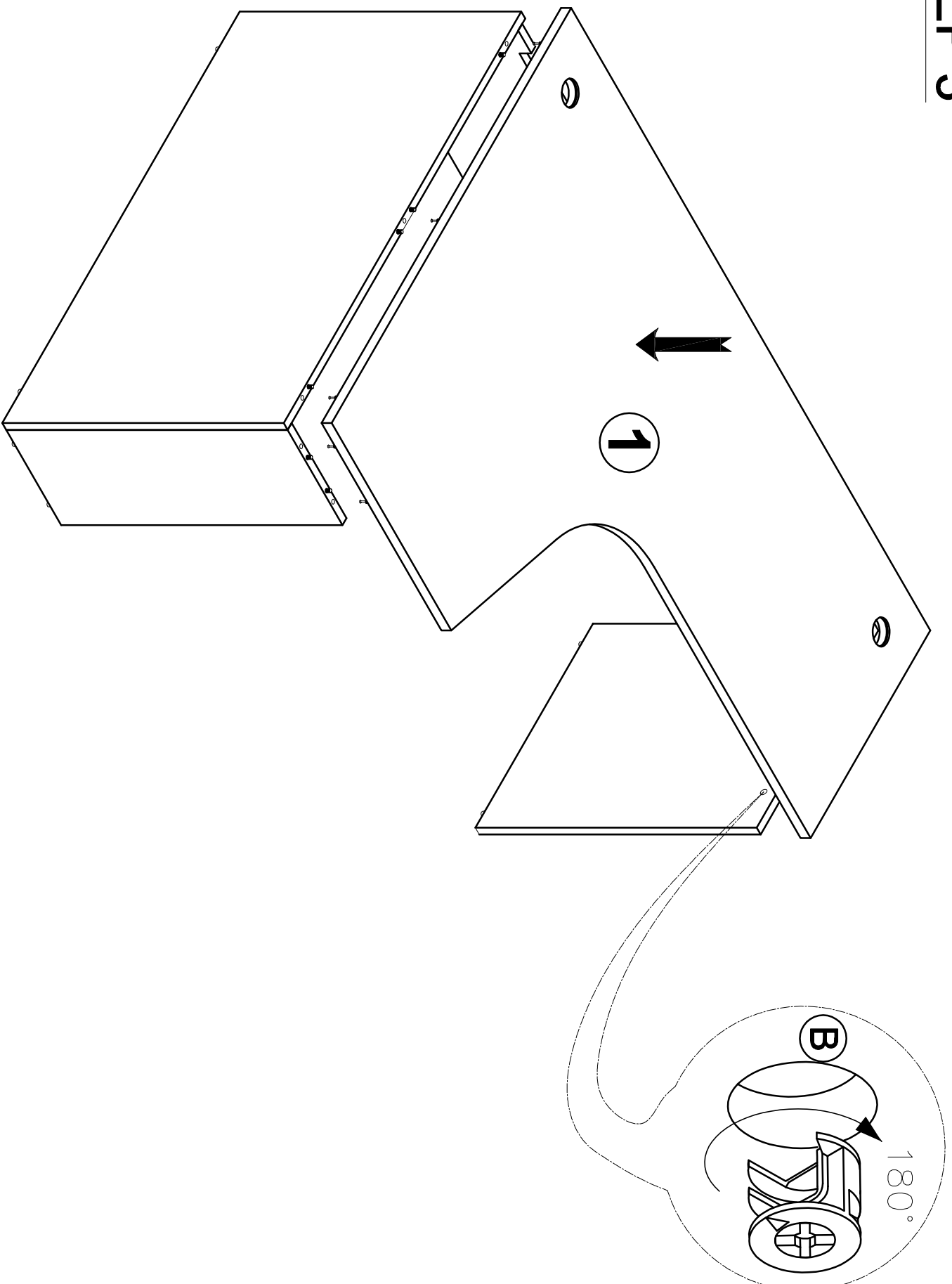
TOOL



STEP 2



STEP 3



STEP 4

