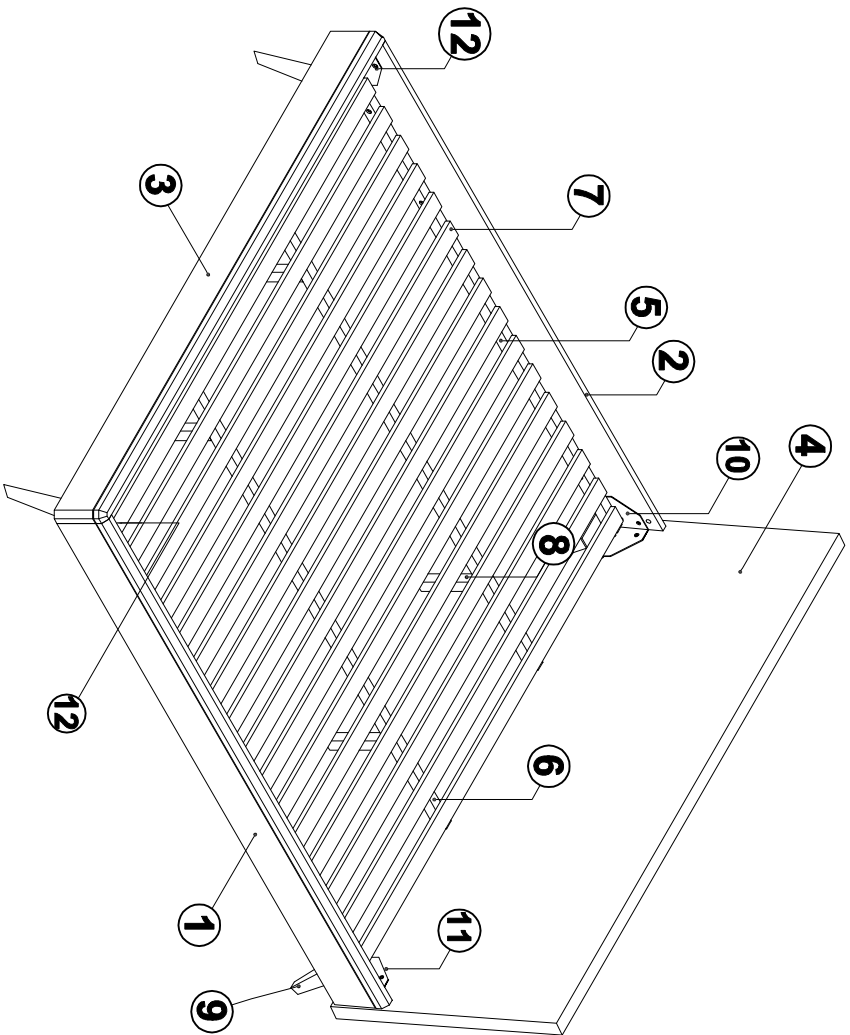


ASSEMBLY INSTRUCTION

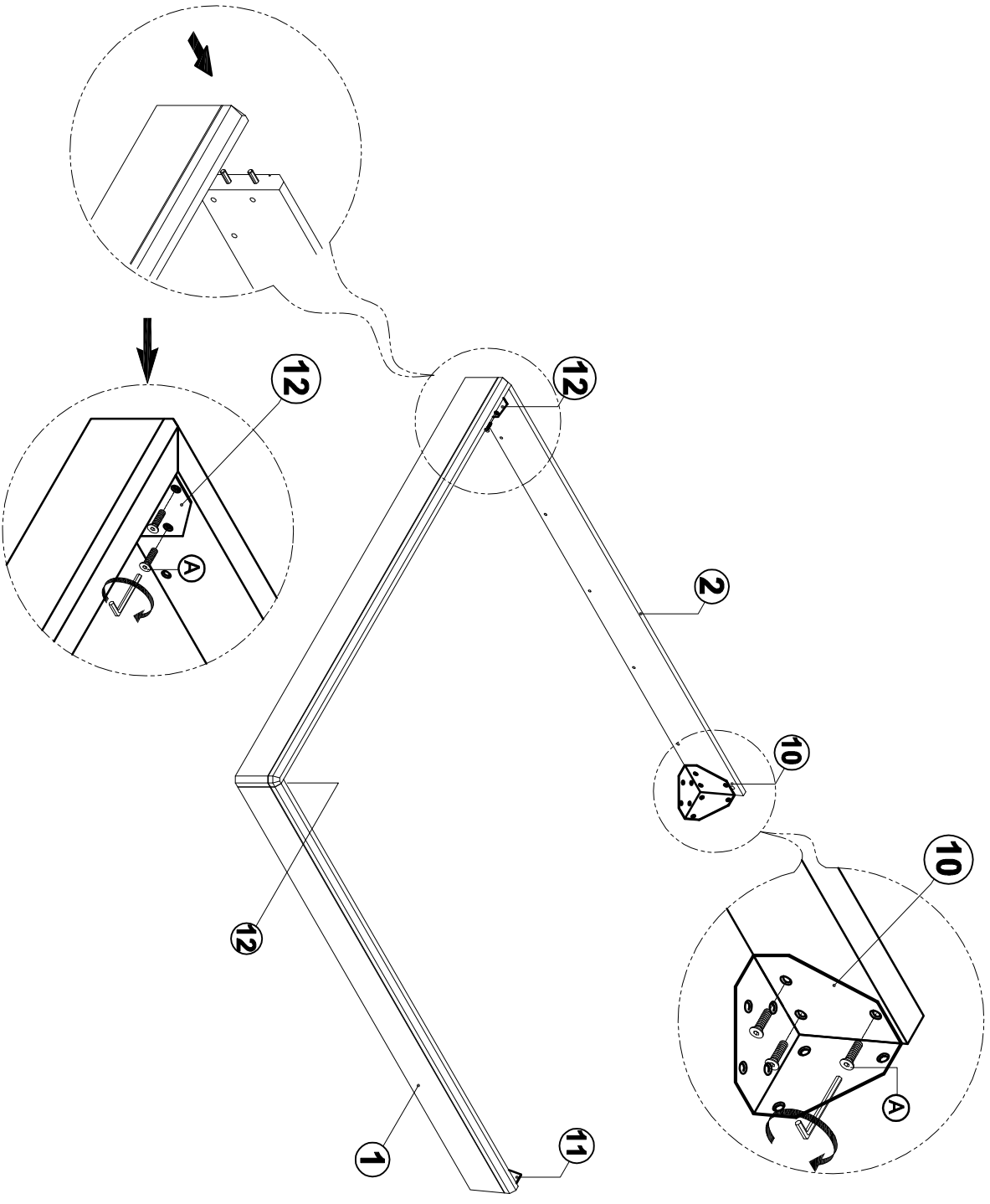
RIVINGTON - CALIFORNIA BED







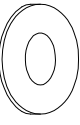
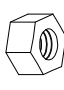
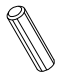

PARTS

- ① x 1
 - ② x 1
 - ③ x 1
 - ④ x 1
 - ⑤ x 2
 - ⑥ x 2
 - ⑦ x 17
 - ⑧ x 4
 - ⑨ x 4
 - ⑩ x 1
 - ⑪ x 1
 - ⑫ x 2
 - ⑬ x 4
-


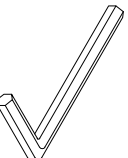
STEP 1



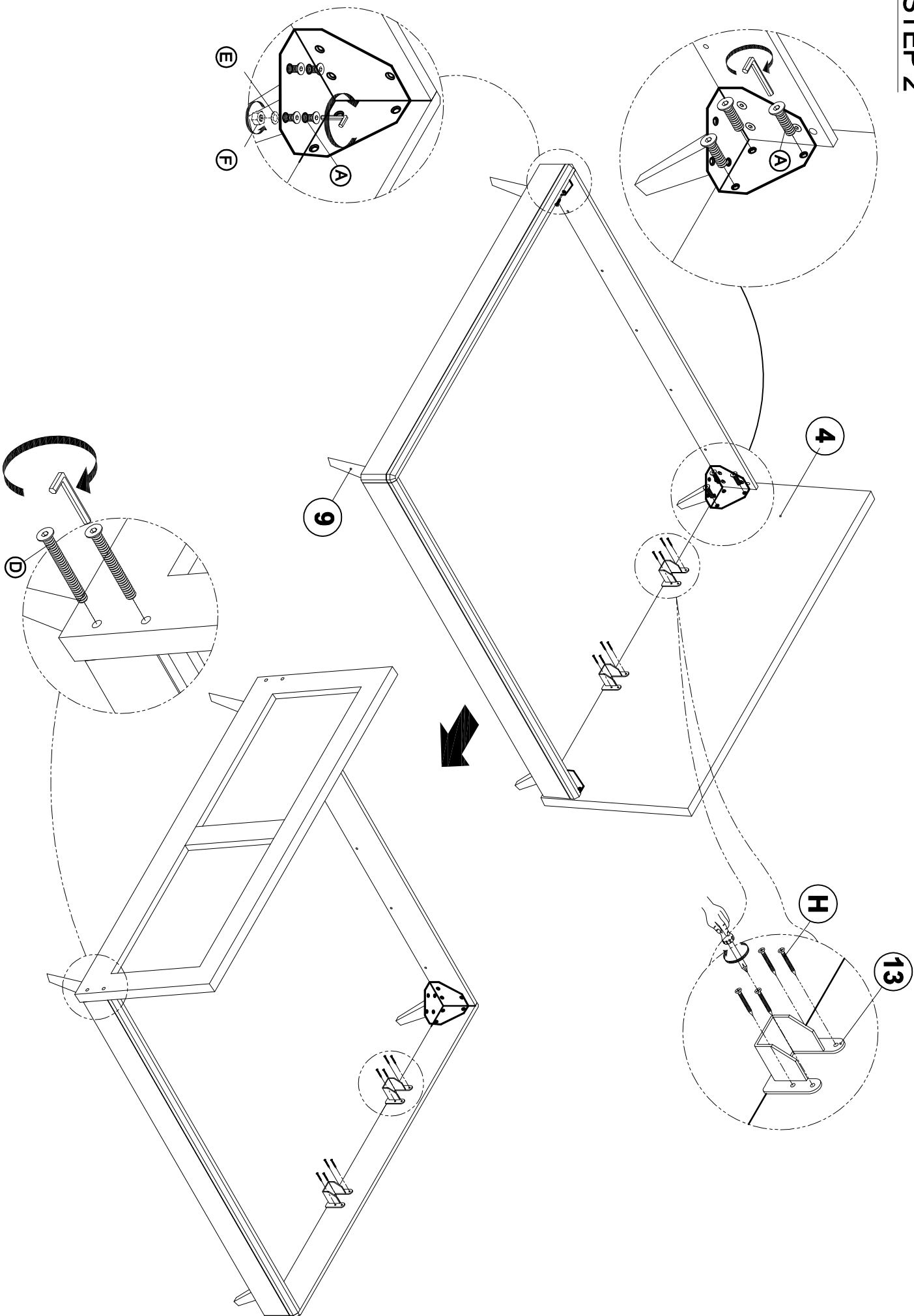
HARDWARE

-  **A** x 40
(M8 x 15)
-  **B** x 10
(M8 x 50)
-  **C** x 4
(M8 x 60)
-  **D** x 4
(M8 x 100)
-  **E** x 16
(WASHER (8x20))
-  **F** x 16
(NUT M8)
-  **G** x 4
DOWEL
-  **H** x 16
(M4 x 15)

TOOL

-  WRENCH 13
-  ALLEN KEY 4

STEP 2



STEP 3

