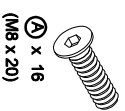
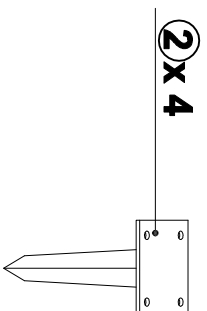
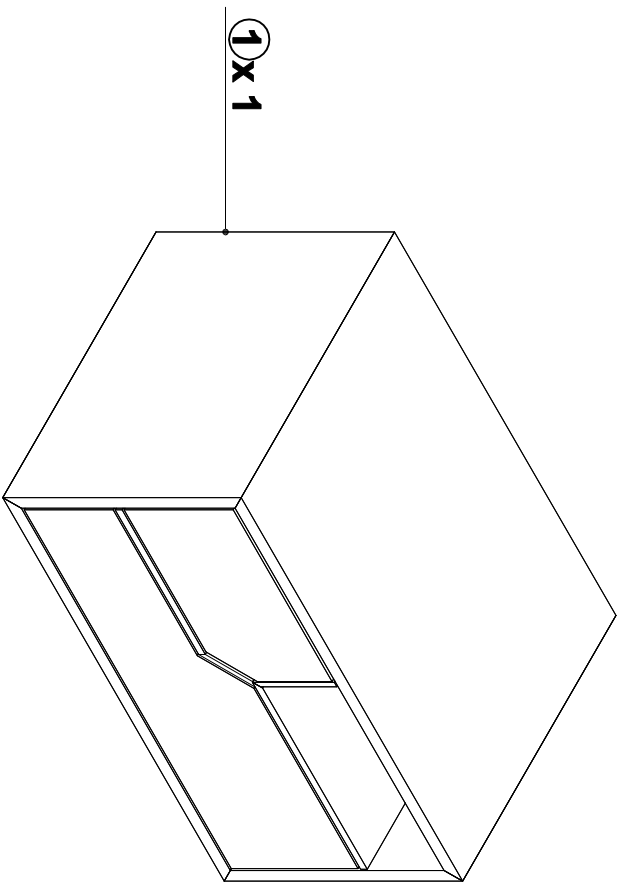
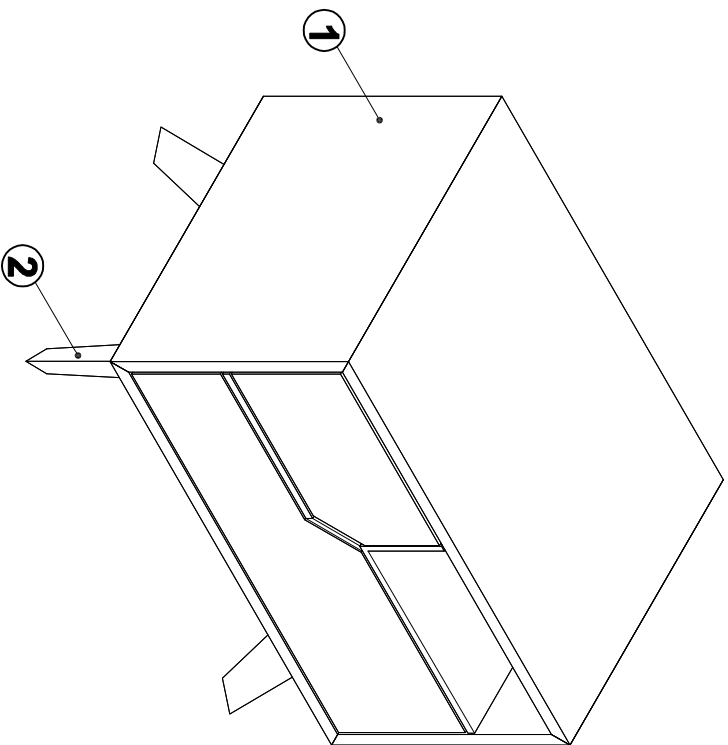
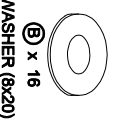


ASSEMBLY INSTRUCTION

RIVINGTON - NIGHTSTANDS LEFT



A x 16
(M6 x 20)

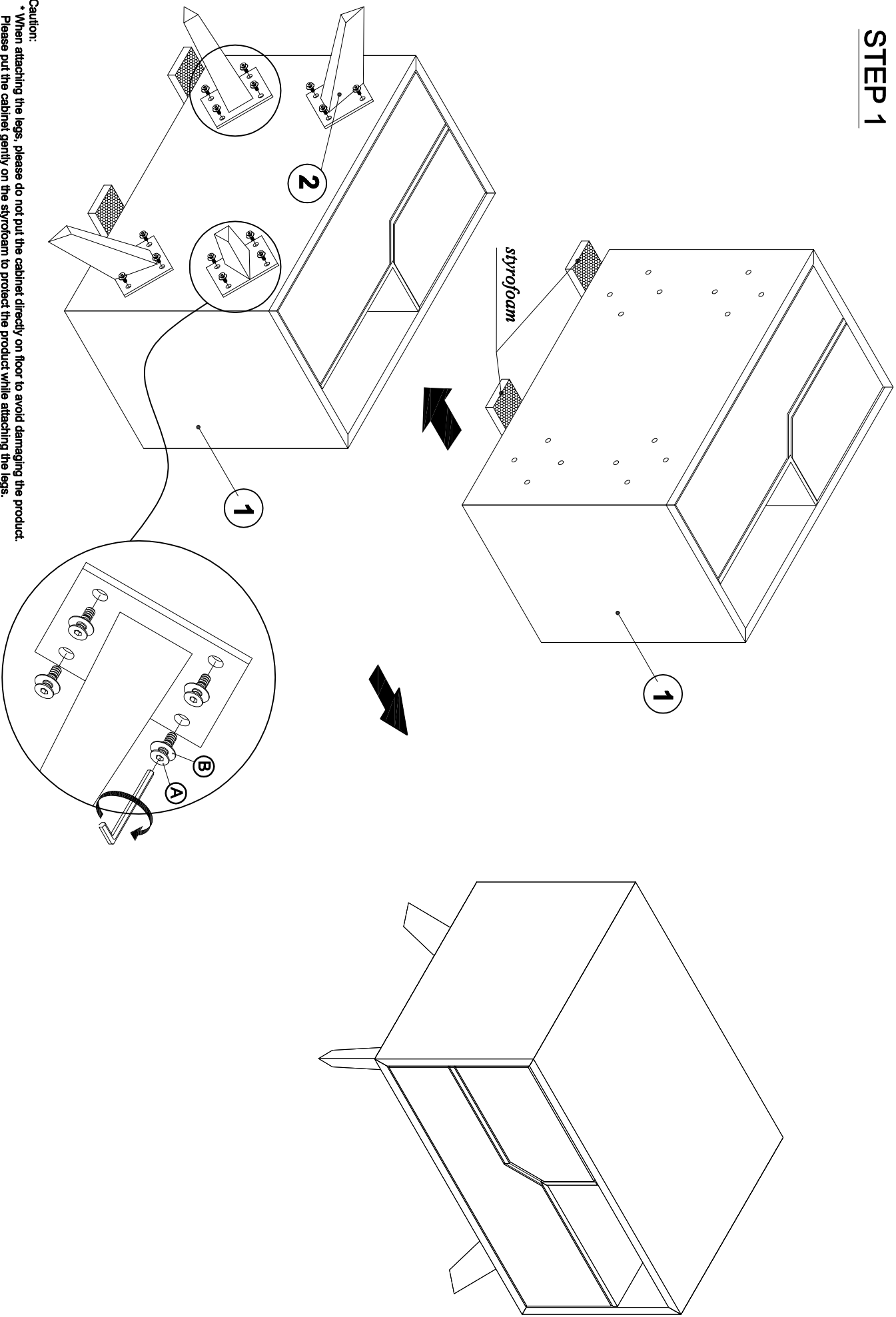


B x 16
WASHER (8x20)



ALLEN KEY FOR M6

STEP 1



Caution:

- * When attaching the legs, please do not put the cabinet directly on floor to avoid damaging the product.
- * Please put the cabinet gently on the styrofoam to protect the product while attaching the legs.
- * When attaching the table stretcher bar to metal leg, put all screws tightly in place before tightening them.
- * To protect the product, do not use too much force when tightening the screws.