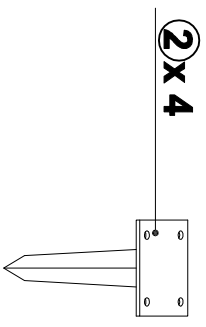
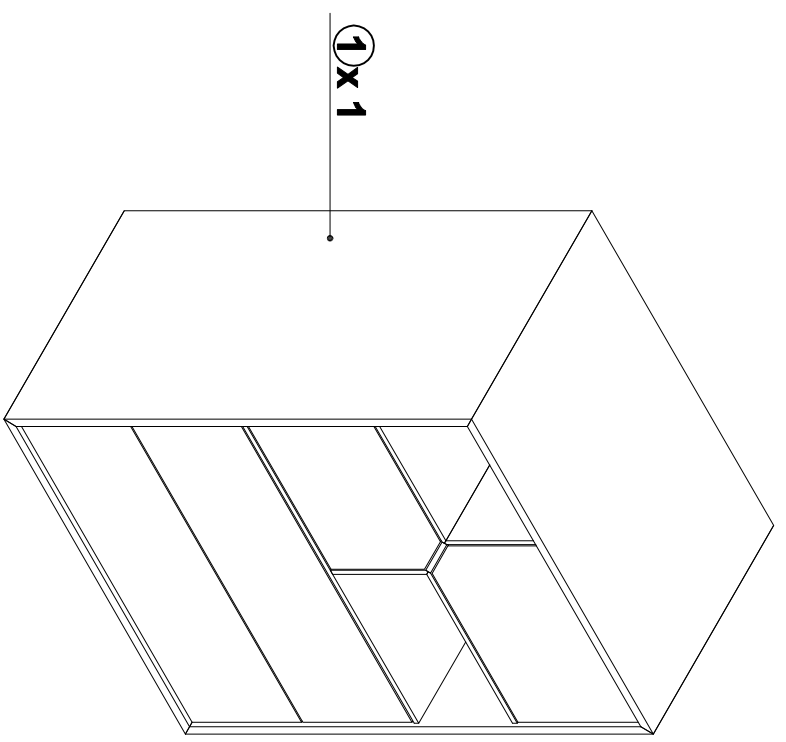
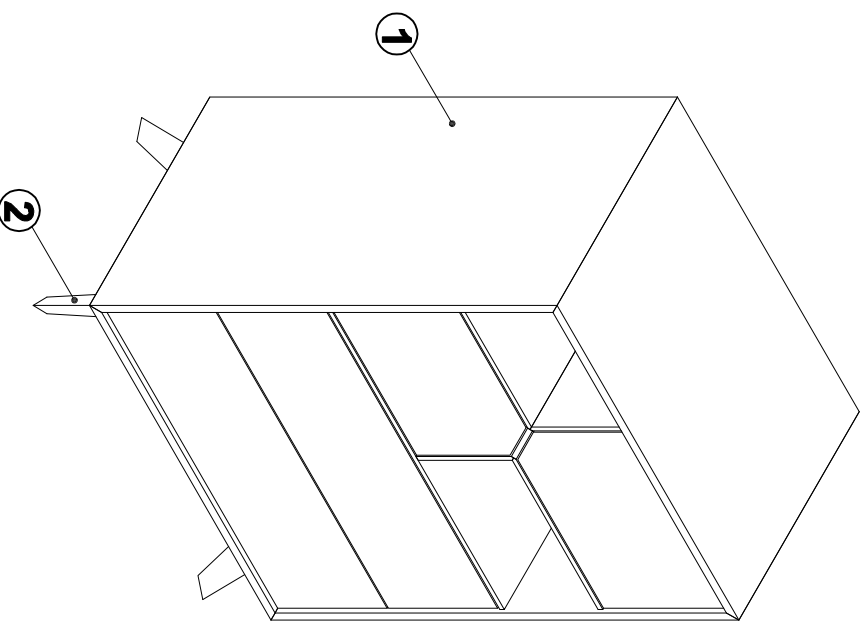


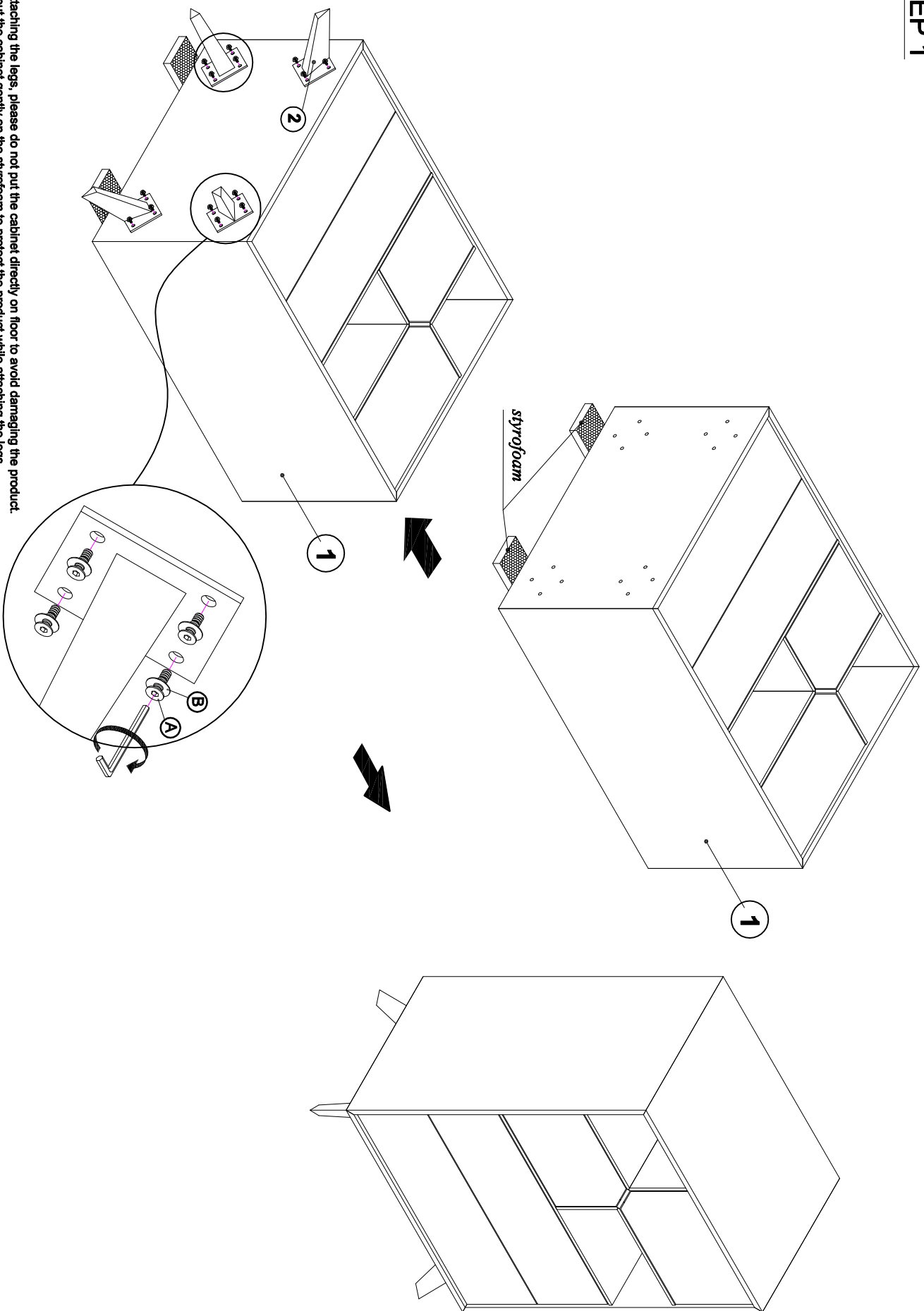
ASSEMBLY INSTRUCTION

RIVINGTON - TALLBOY LOW



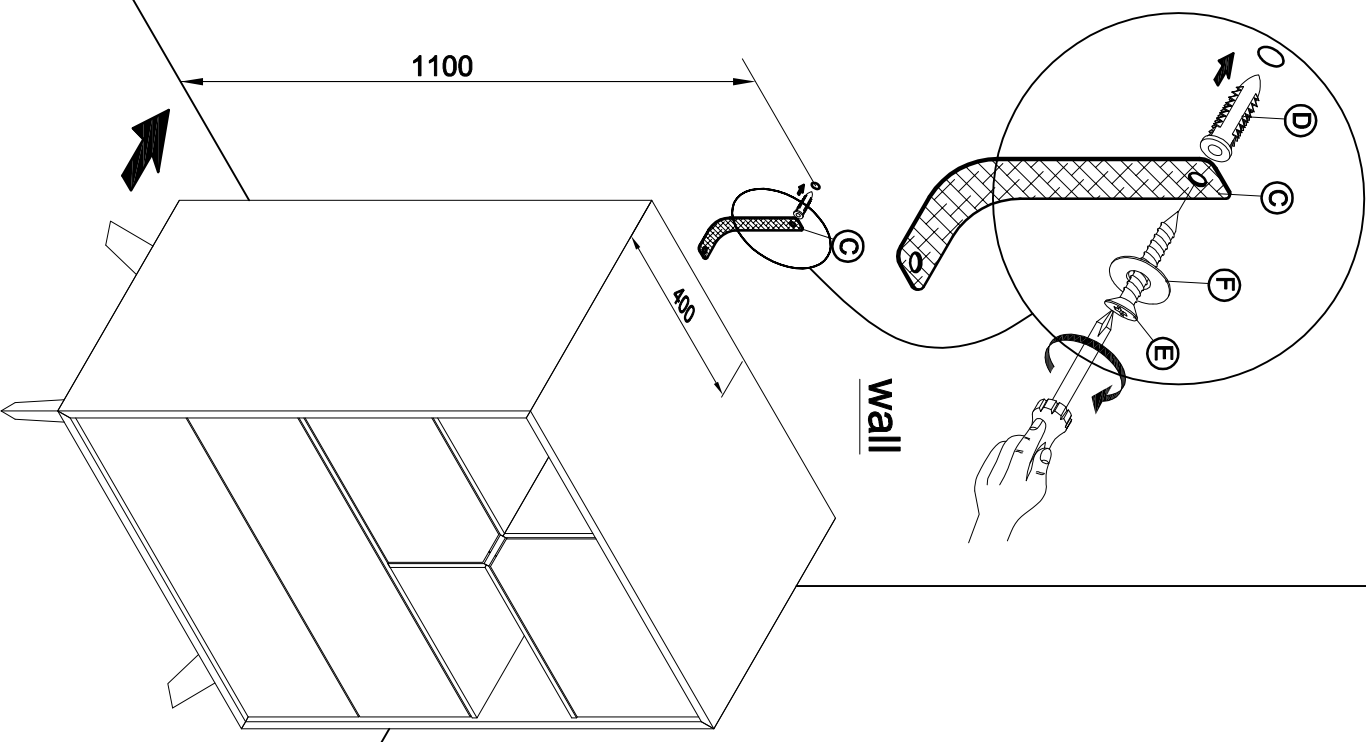
(A) x 17 (M8 x 20)	WASHER (B) x 11	STRAPS (C) x 1	PLASTIC STOPPER (D) x 1	(E) x 1 (M5 x 50)	WASHER (F) x 1	ALLEN KEY 3.0MM

STEP 1



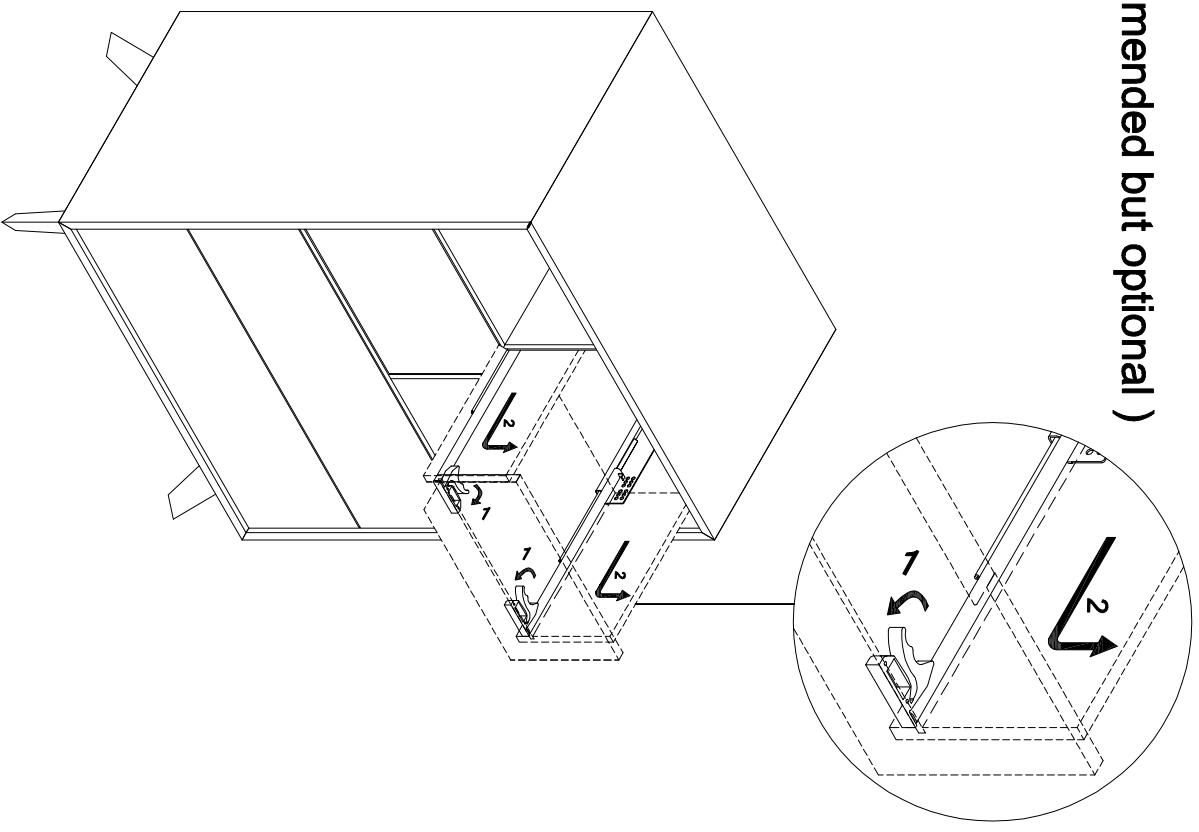
- Caution:**
- * When attaching the legs, please do not put the cabinet directly on floor to avoid damaging the product.
 - * Please put the cabinet gently on the styrofoam to protect the product while attaching the legs.
 - * When attaching the table stretcher bar to metal leg, put all screws tightly in place before tightening them.
 - * To protect the product, do not use too much force when tightening the screws.

STEP 2



STEP 3

(Recommended but optional)



STEP 4

