


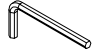


HARU DRESSER

L1500 x W500 x H740mm

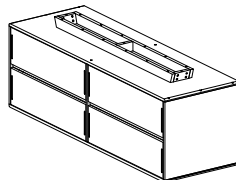
ASSEMBLY INSTRUCTIONS

HARDWARE FOR WOODEN

No.	Hardware	Q.ty
1	Bolt M8x35 	8
2	Washer Ø8xØ12 	8
3	Washer Ø8xØ16 	8
4	Key K4 	1



20 MIN

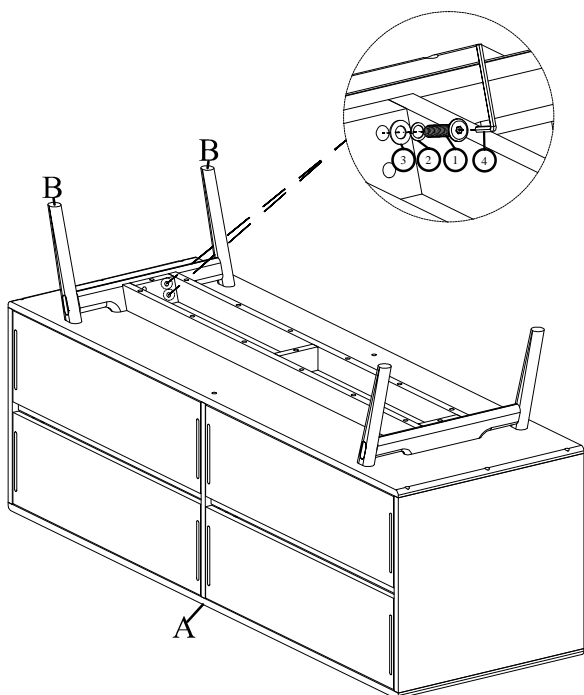


A x 1

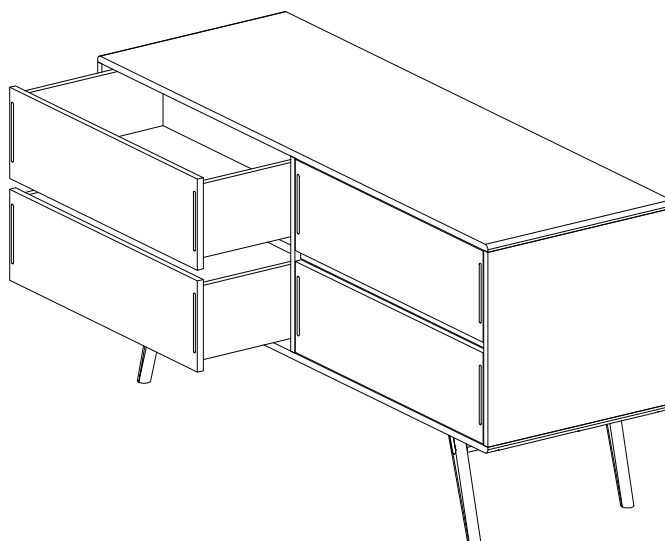
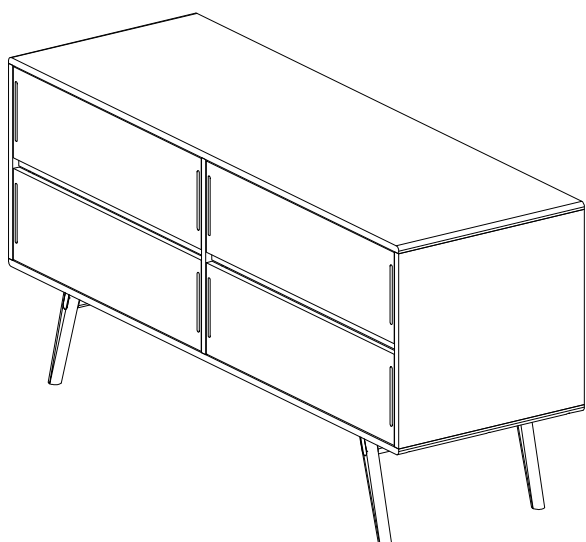
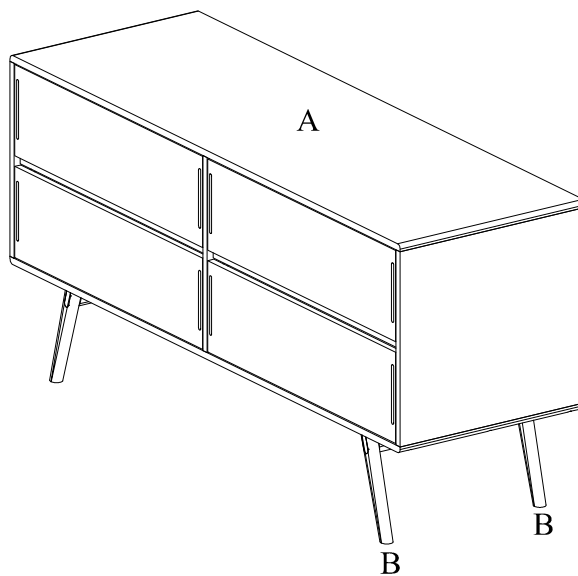


B x 2

STEP 1



STEP 2



FINISHED