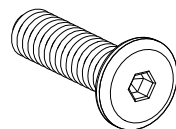


# ASSEMBLY INSTRUCTION

## Haru Console table

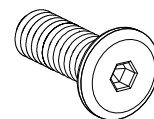


A = 08 PCS

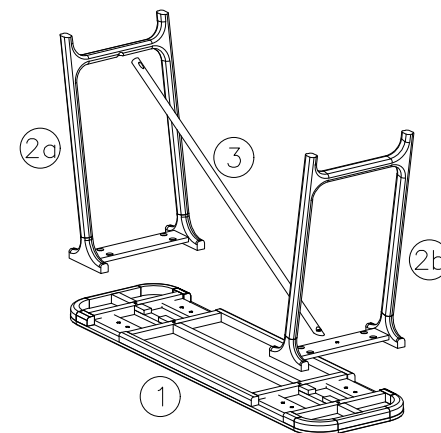


M8 x 25 mm

B = 01 PCS



M8 x 20 mm



C = 09 PCS



Ø12 x H2 mm

D = 09 PCS



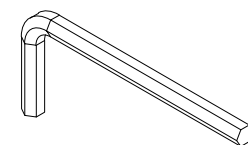
Ø16 x H1 mm

E = 01 PC



M4 x 30 mm

F = 1 PC



Key K4

