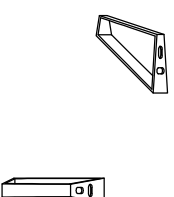
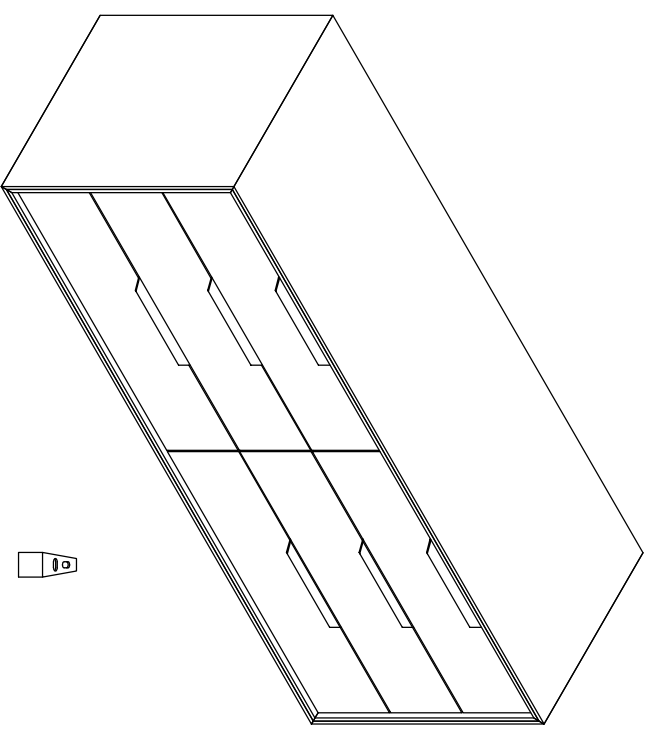
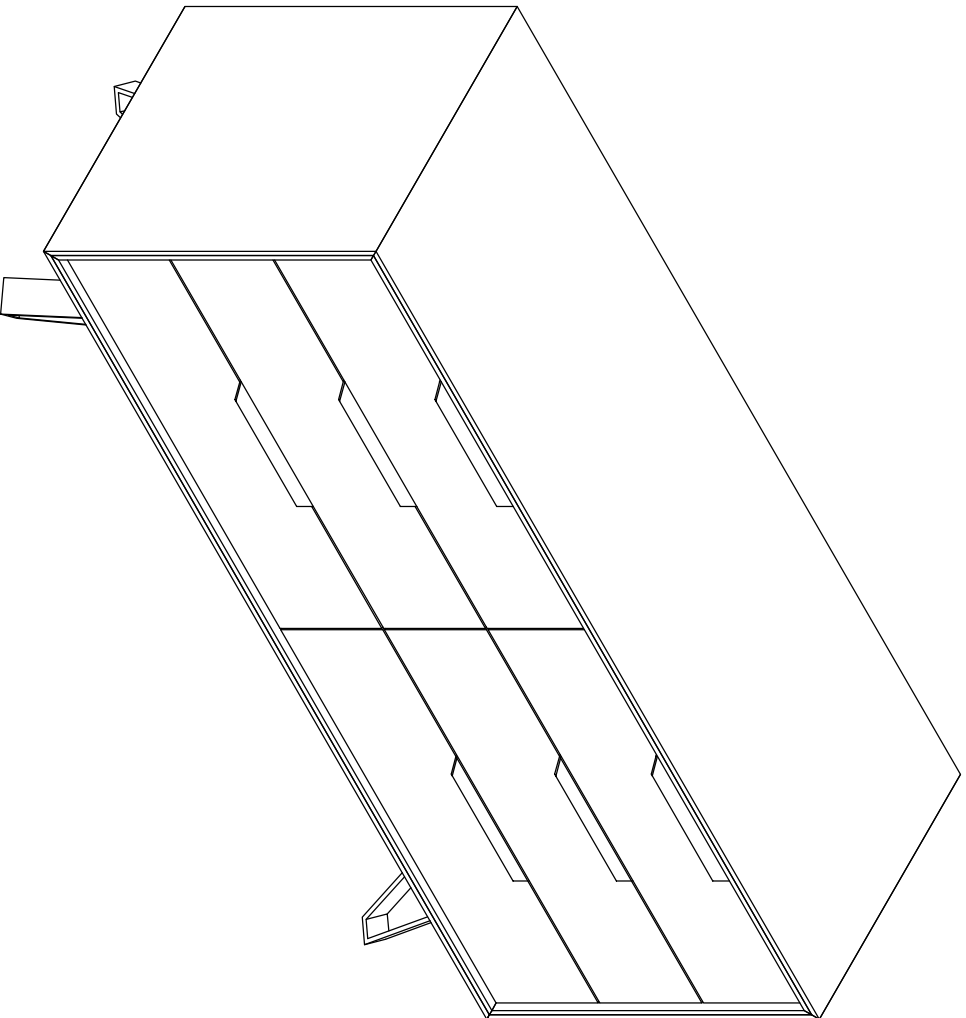
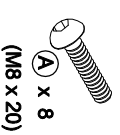


# ASSEMBLY INSTRUCTION

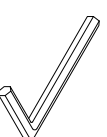
## GRAND - CHEST



### HARDWARE

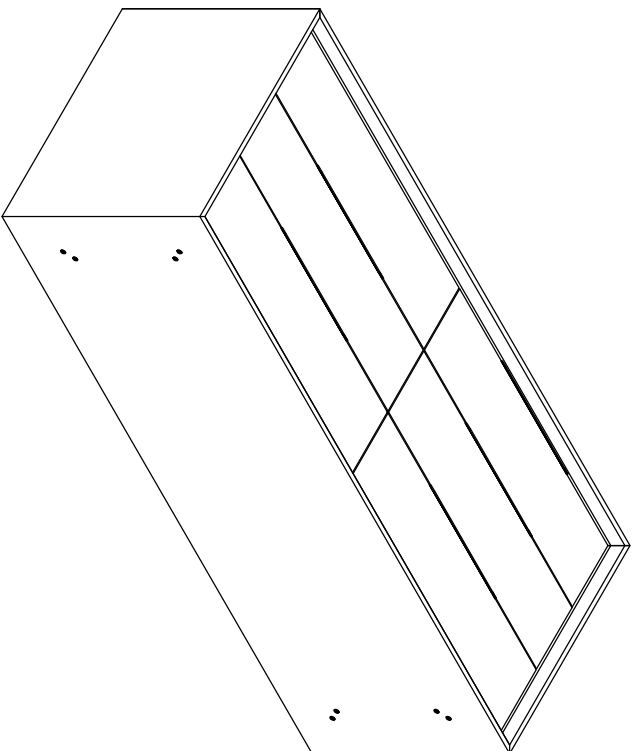


(B) x 8  
WASHER (8x20)



ALLEN KEY 5 FOR M8

**STEP 1**



**STEP 2**

