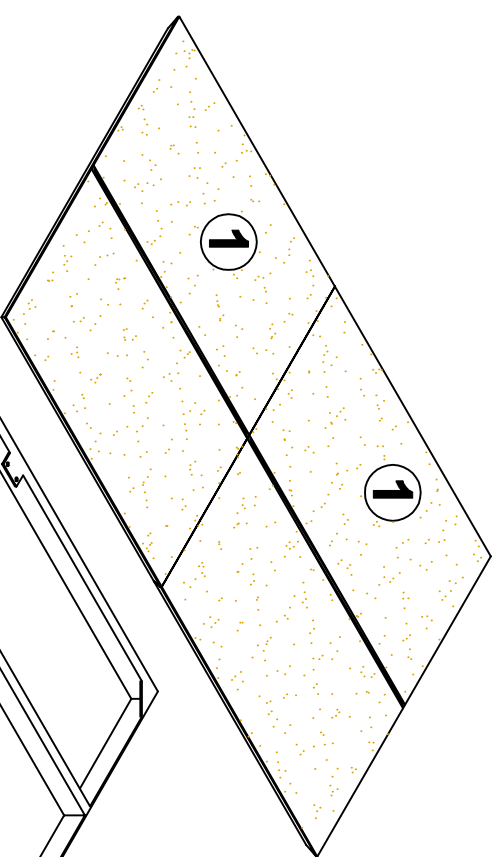
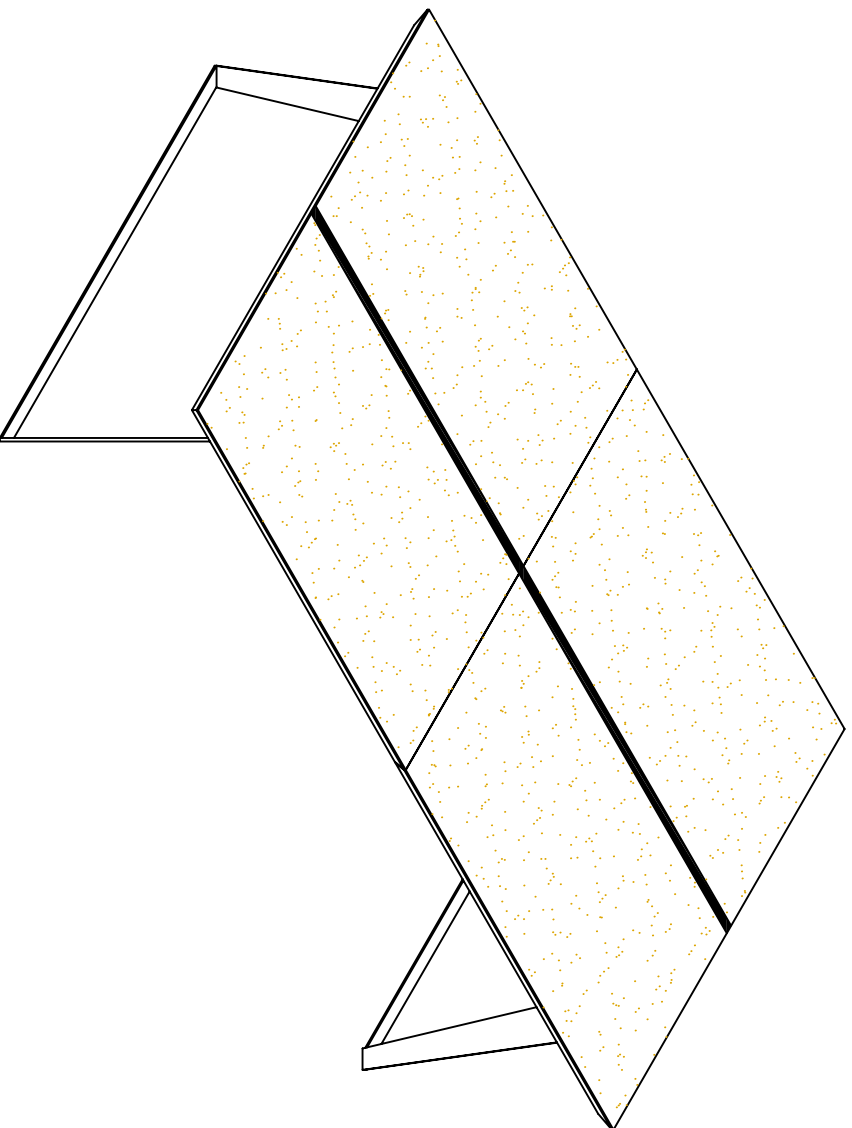


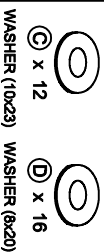
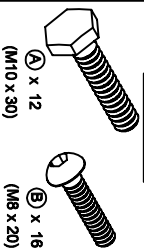
# ASSEMBLY INSTRUCTION

## TENNIS TABLE



### Ping Pong Net and Posts Set

#### HARDWARE



WASHER (10x23) WASHER (8x20)  
 WASHER (E) x 2 (150x50x5) T-Plate (F) x 2 (150x110x5)

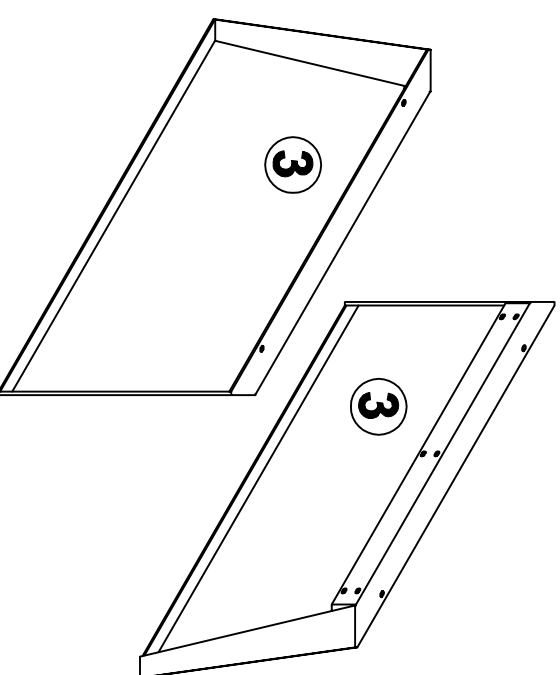
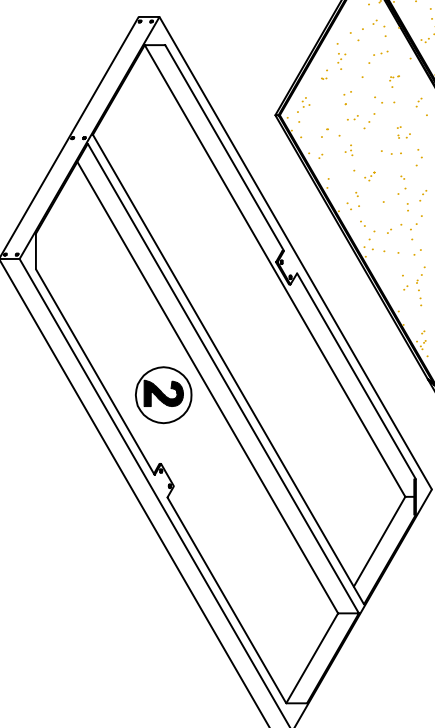
#### TOOL



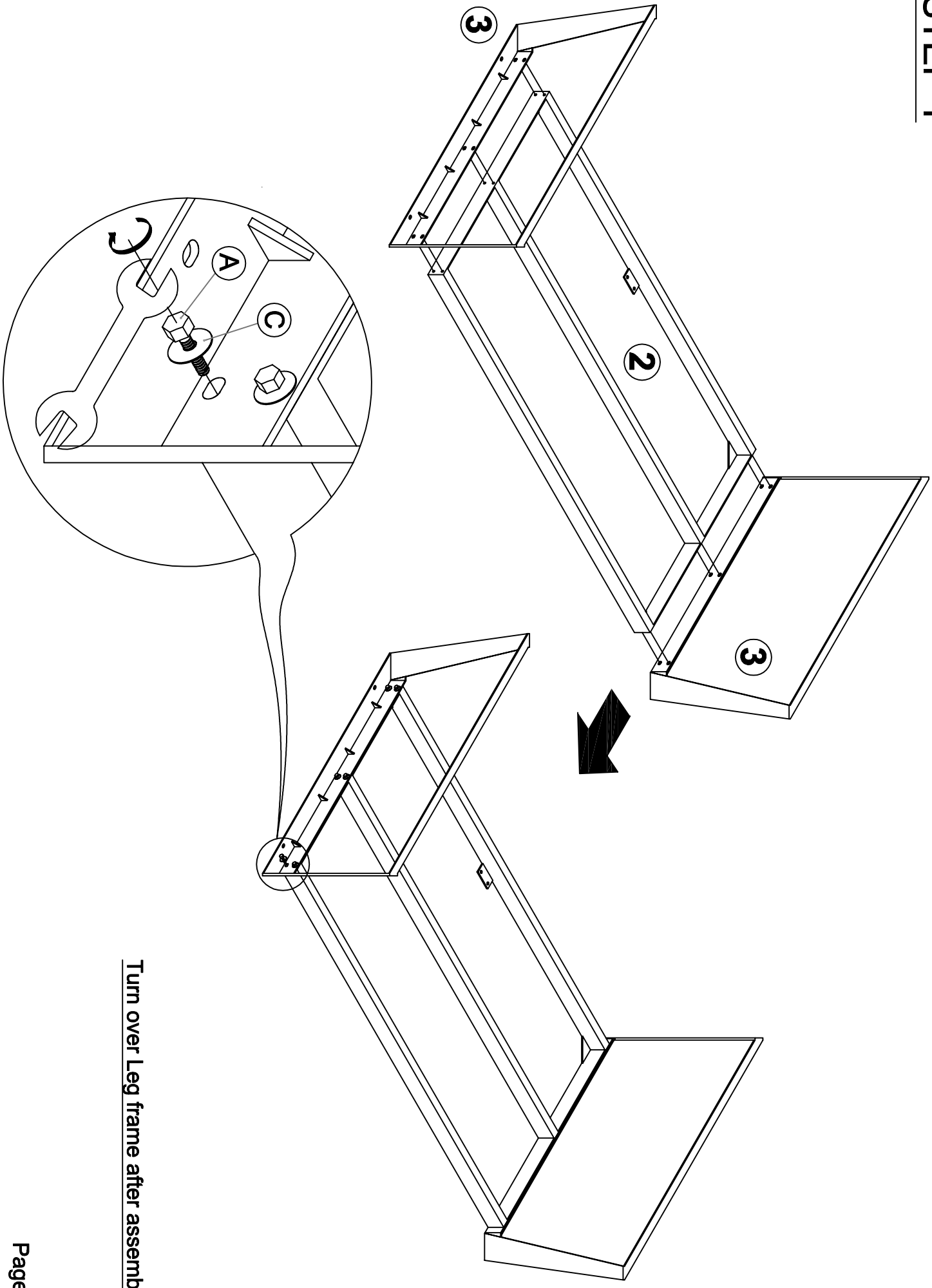
ALLEN KEY 4



WRENCH 13



# STEP 1

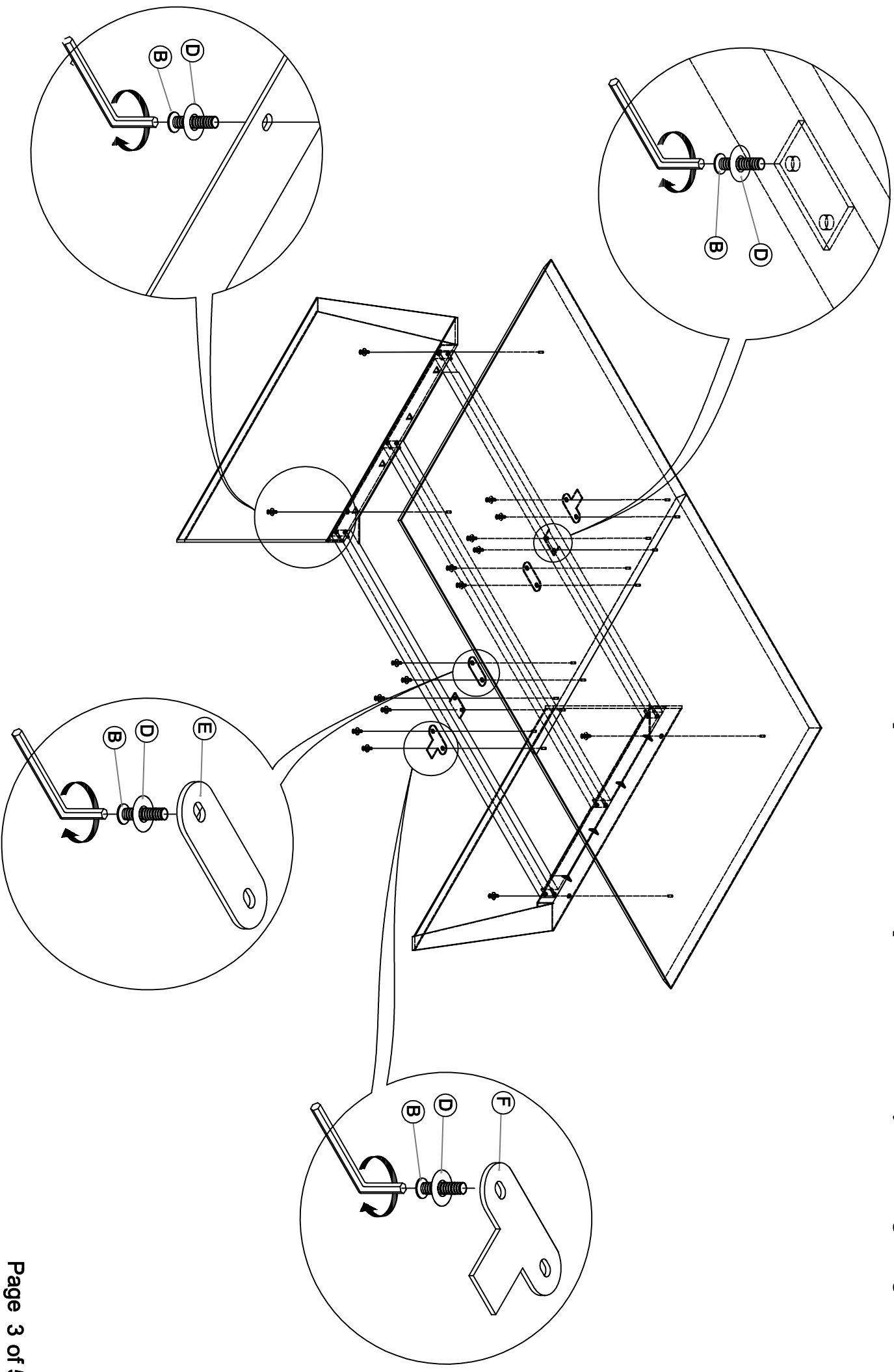


Turn over Leg frame after assembly

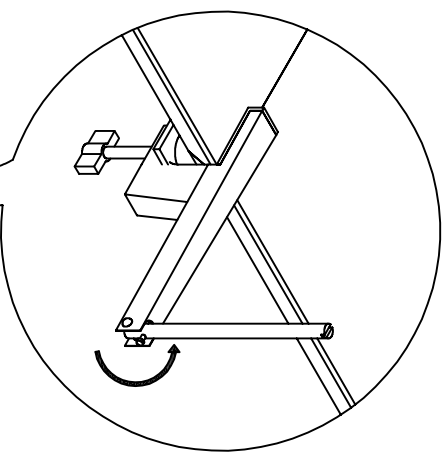
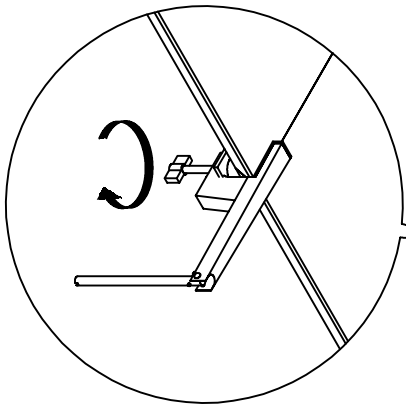
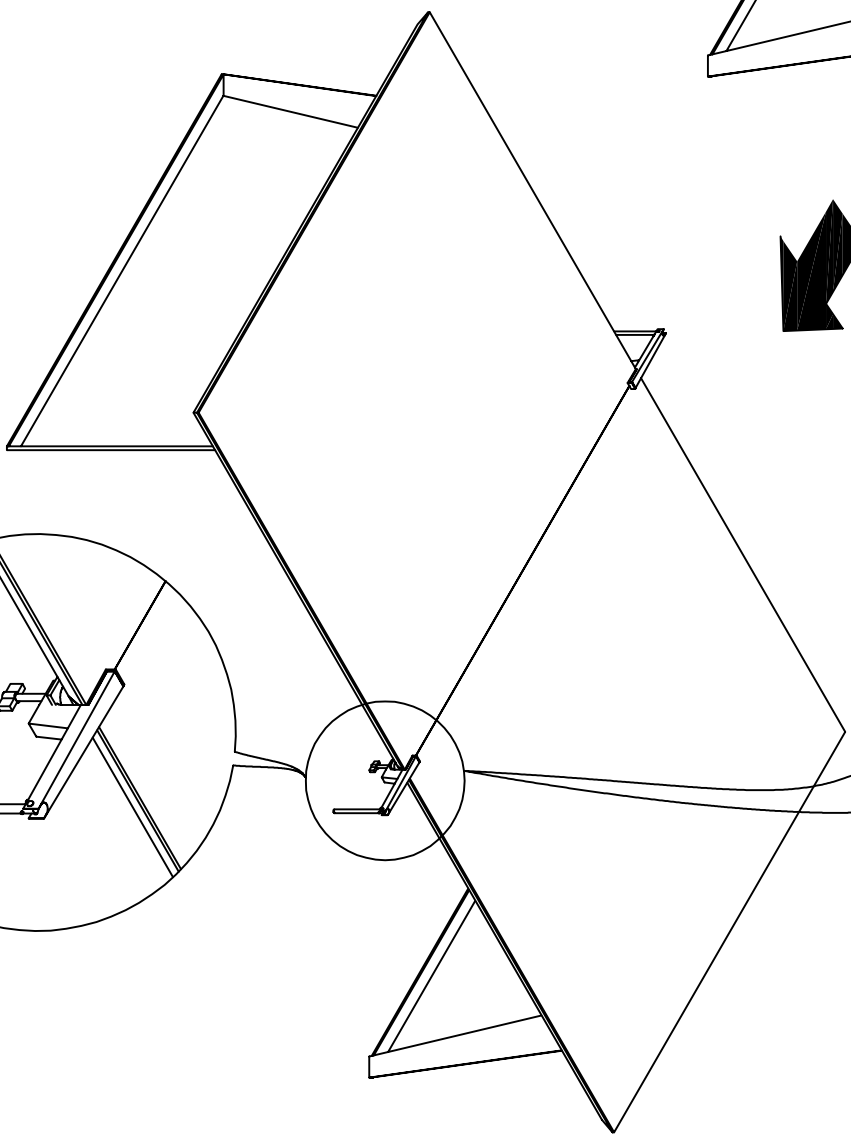
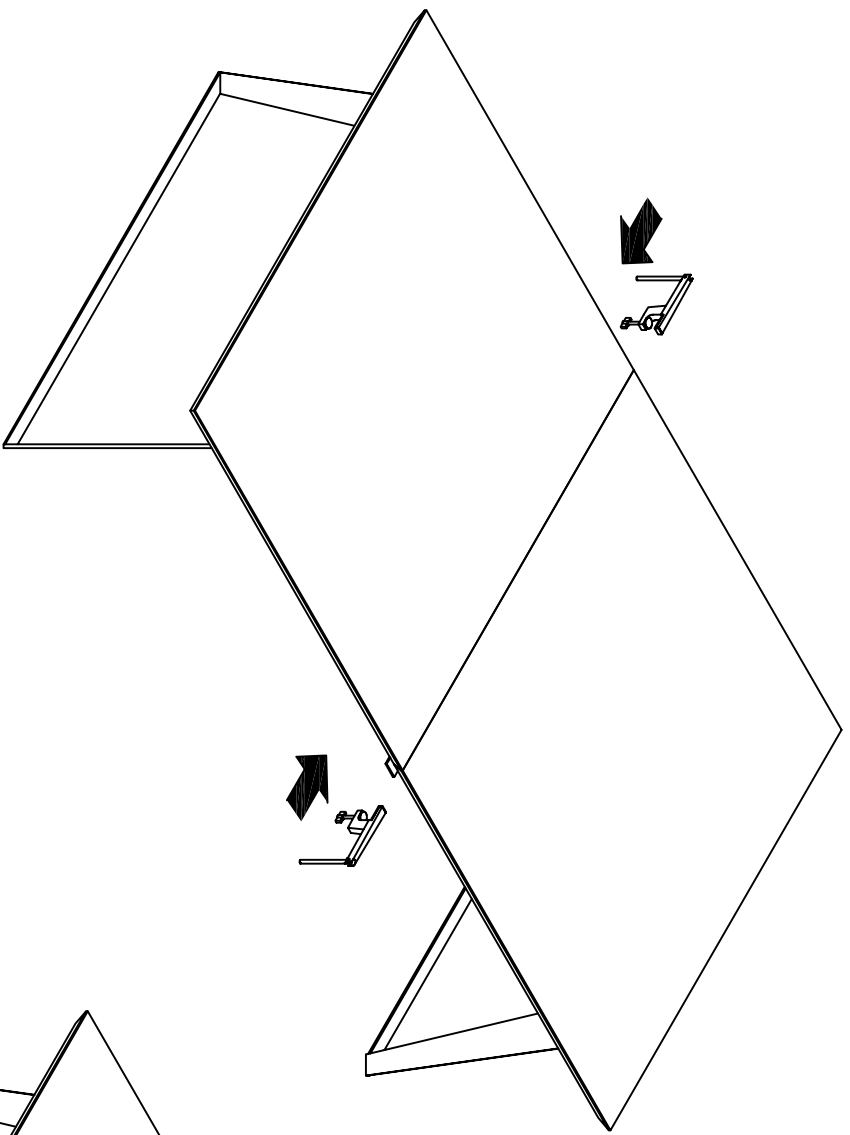
# STEP 2

Caution:

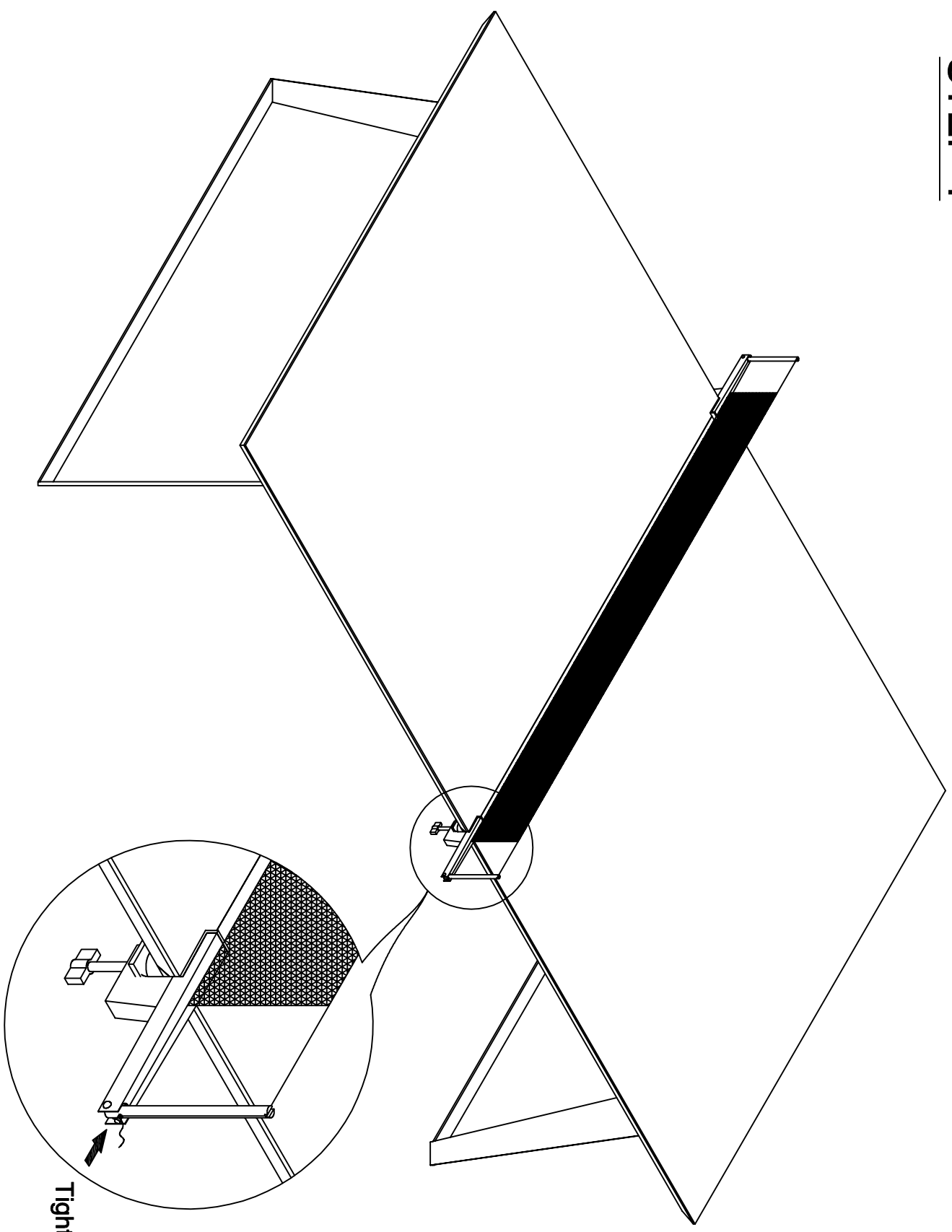
- \* When attaching the tabletop, put all screws lightly in place before tightening them.
- \* To protect the cement tabletop, do not use too much force when tightening the screws.



# STEP 3


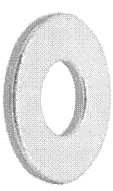


# STEP 4



Tighten robes of net

# STEP 4

PICTURE	NAME
	B x 4 ( M8x20)
	D x 4 - Washer ( 8 x20)

