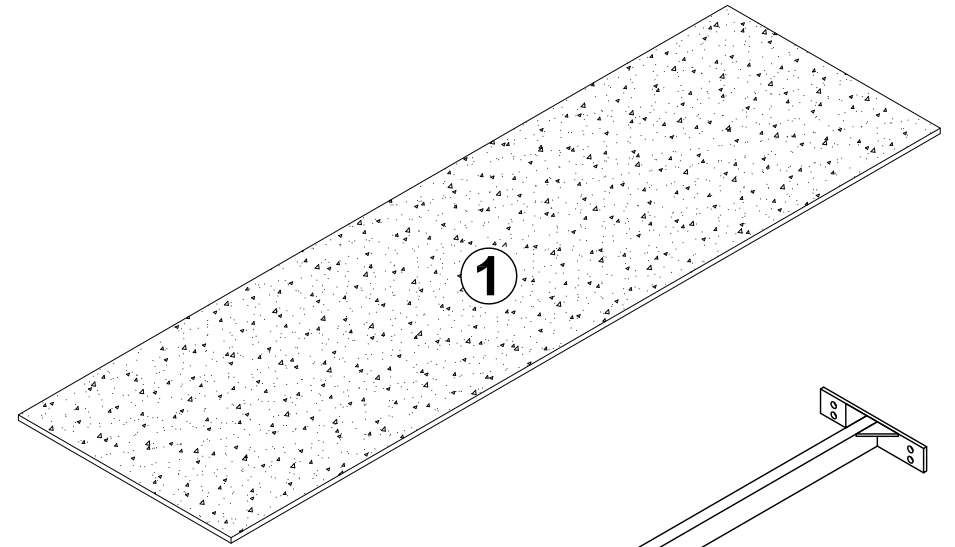
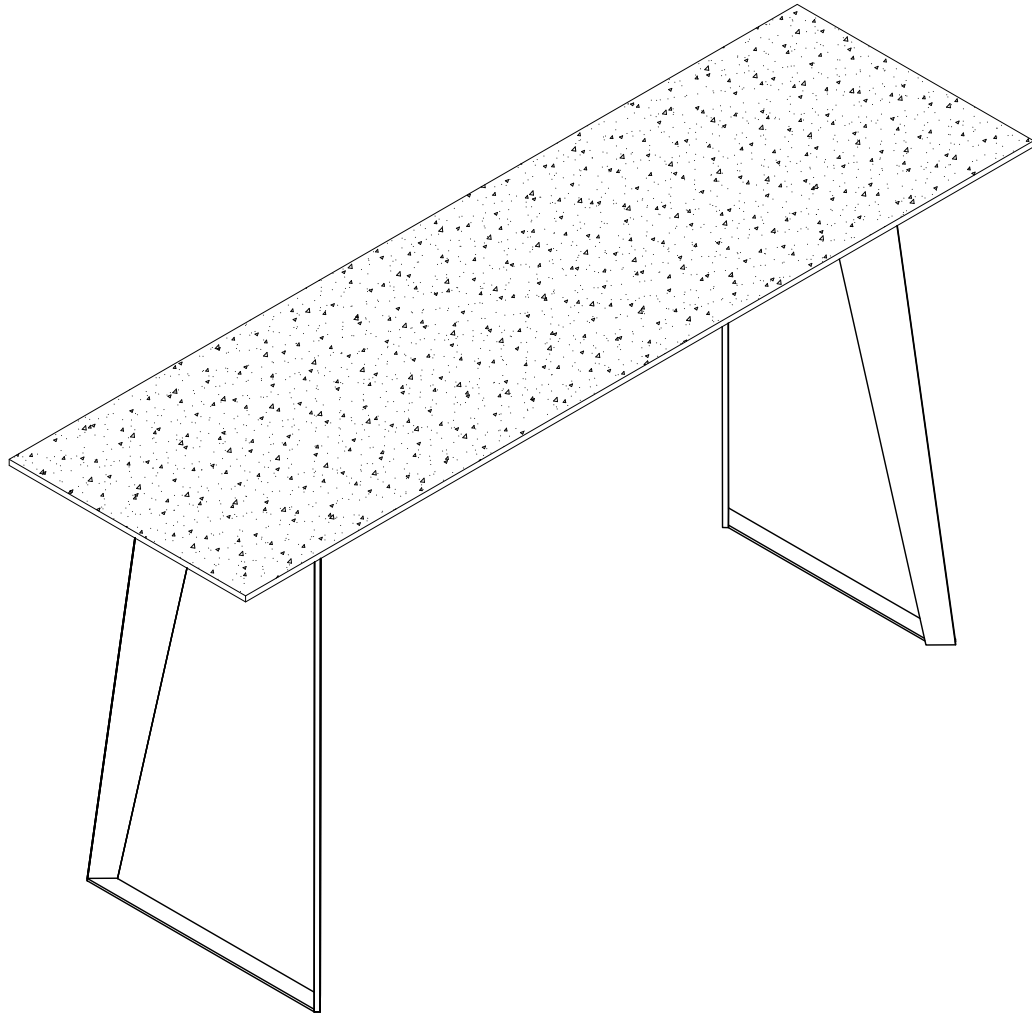


ASSEMBLE INSTRUCTION FOR GHOST COLLECTION

RETURN TABLE - CEMENT TOP



HARDWARE

A x 8
(M8 x 25)

B x 6
(M6 x 20)

C x 8
(NUT M8)

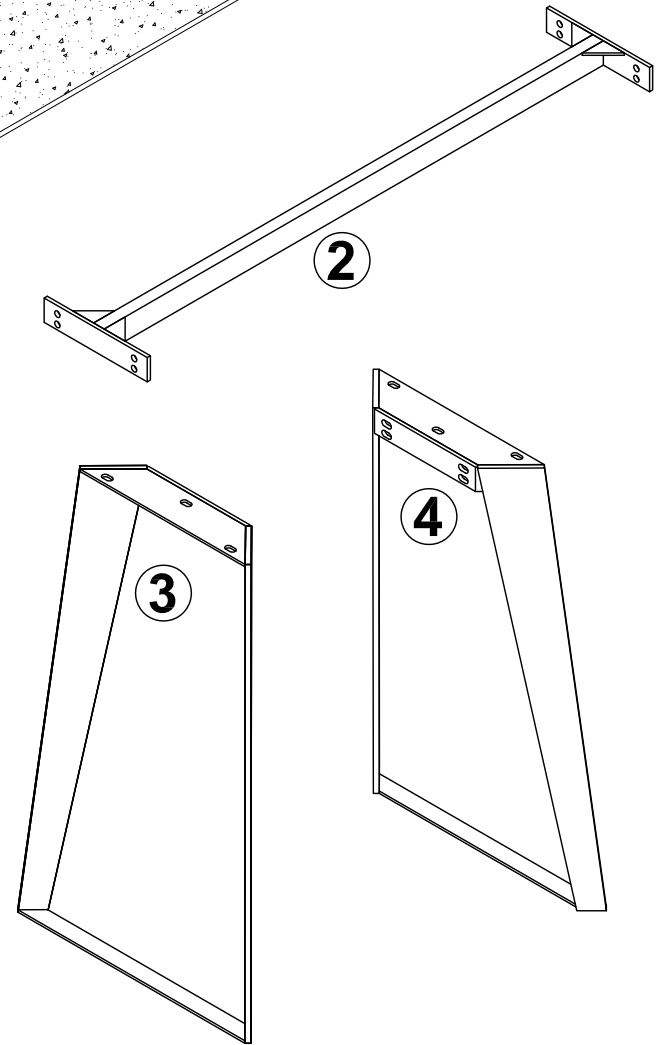
D x 16
WASHER (8x16)

E x 6
WASHER (6x16)

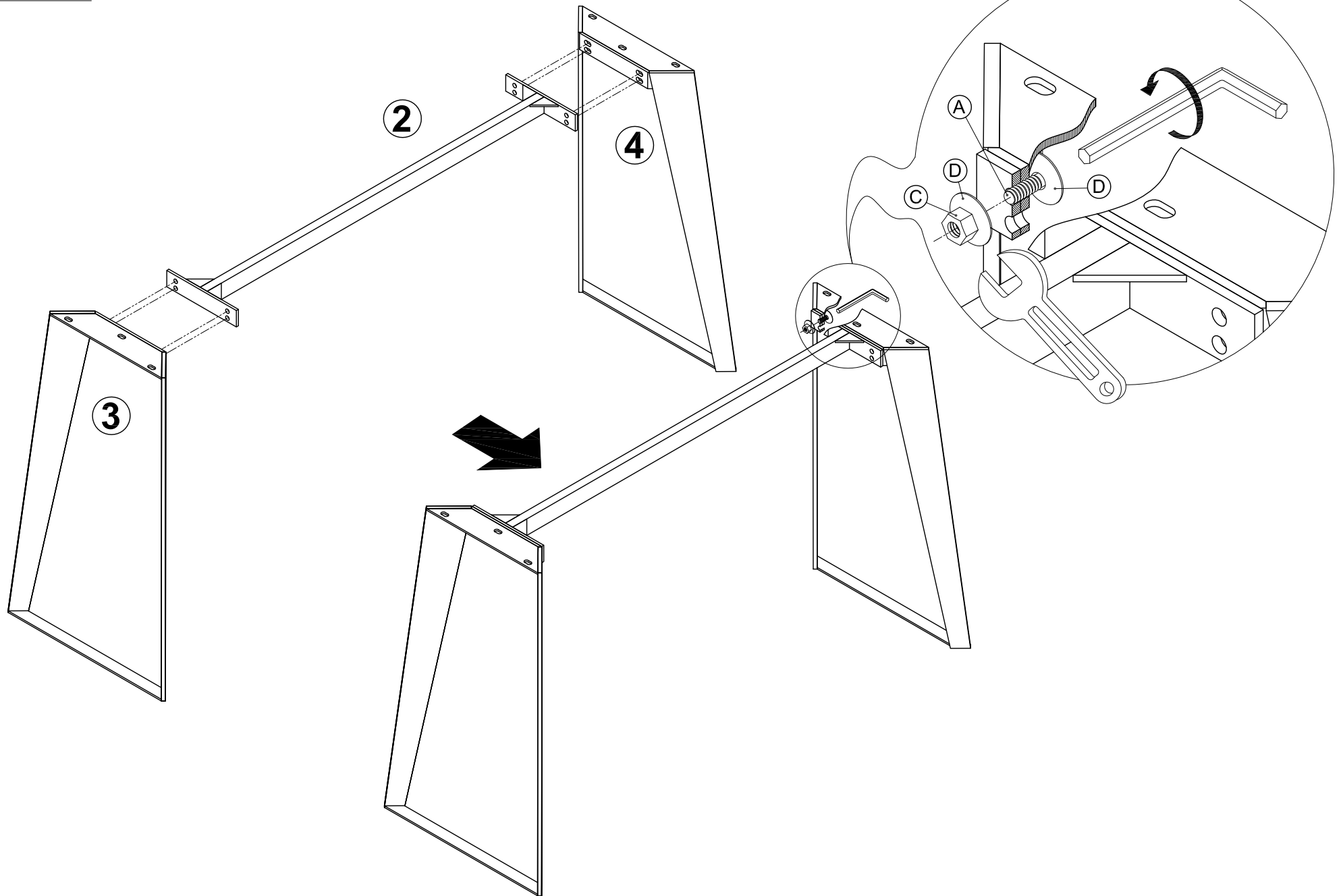
TOOL

ALLEN KEY 4 FOR M6 ALLEN KEY 5 FOR M8

WRENCH 13



STEP 1



STEP 2

Caution:

- * When attaching the tabletop, put all screws lightly in place before tightening them.
- * To protect the cement tabletop, do not use too much force when tightening the screws.

