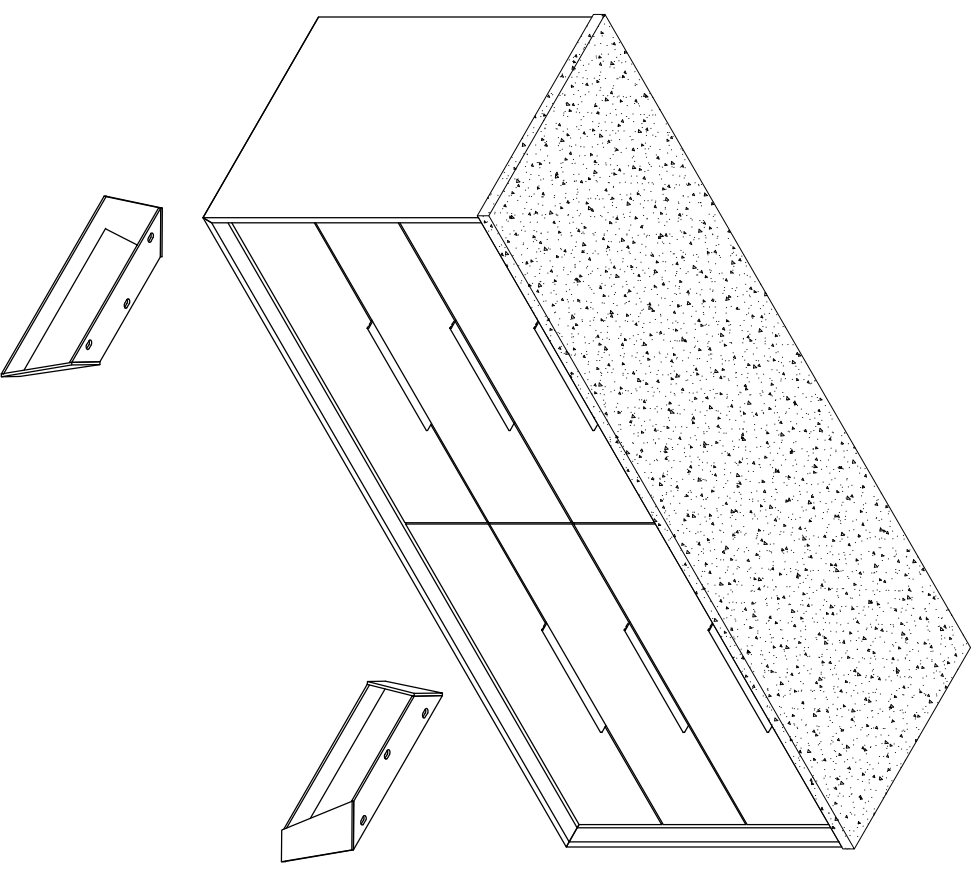
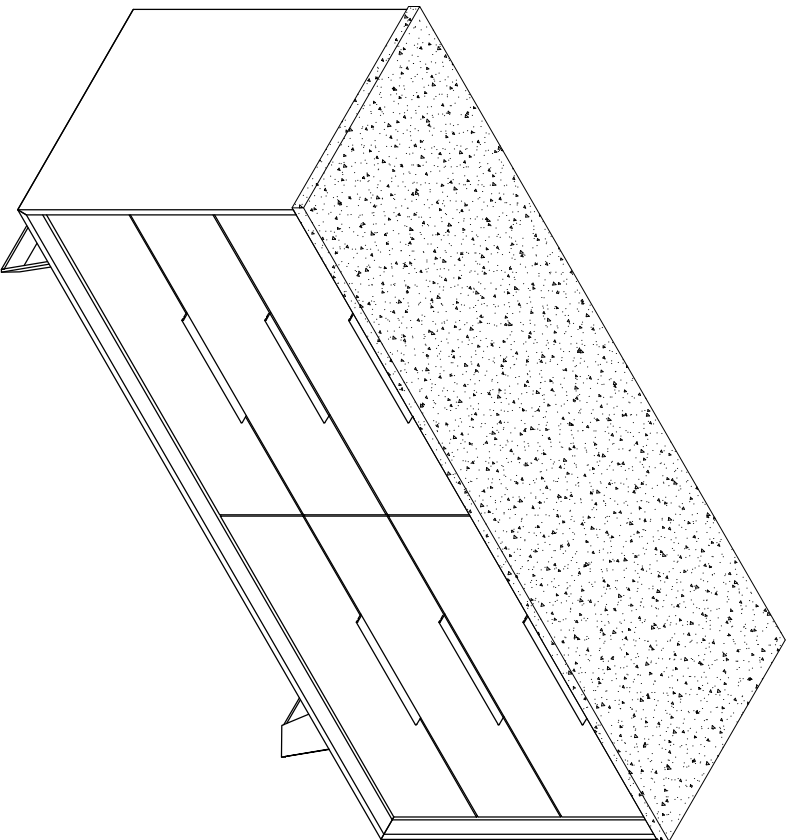
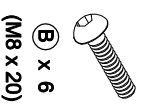


ASSEMBLY INSTRUCTION
AMSTERDAM - CHEST - CEMENT TOP



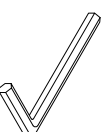
HARDWARE



Ⓟ x 6
(M8 x 20)

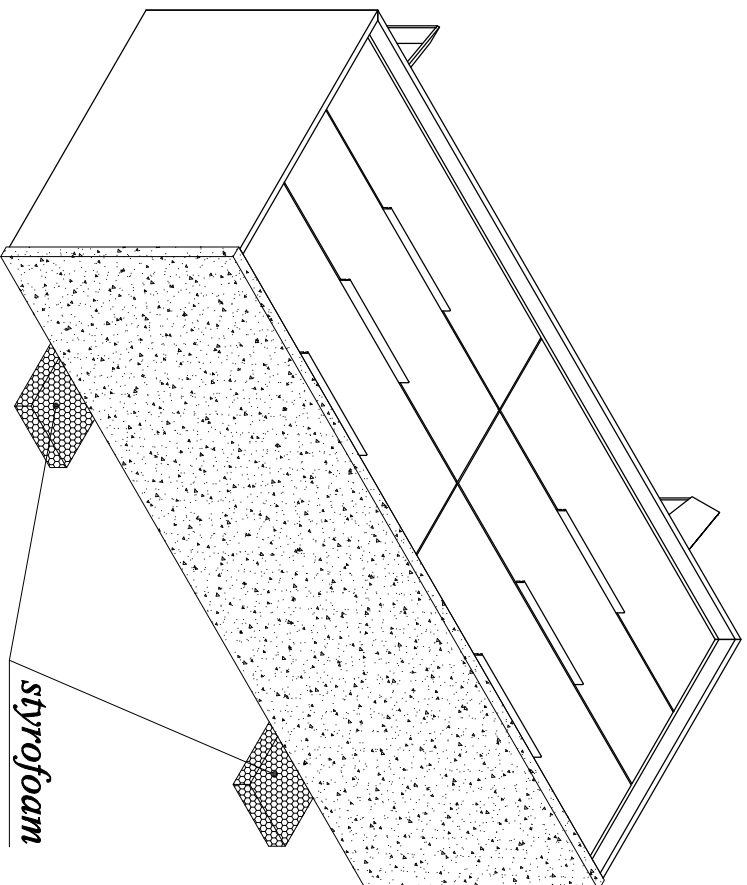


Ⓢ x 6
WASHER (8x20)



ALLENKEY

STEP 1



Caution: when attaching the legs, please do not put the cabinet directly on floor to avoid damaging the concrete top. Please put the cabinet gently on the styrofoam to protect the tabletop while attaching the legs.

- * When attaching the tabletop, put all screws lightly in place before tightening them.*
- * To protect the cement tabletop, do not use too much force when tightening the screws.*

STEP 2

