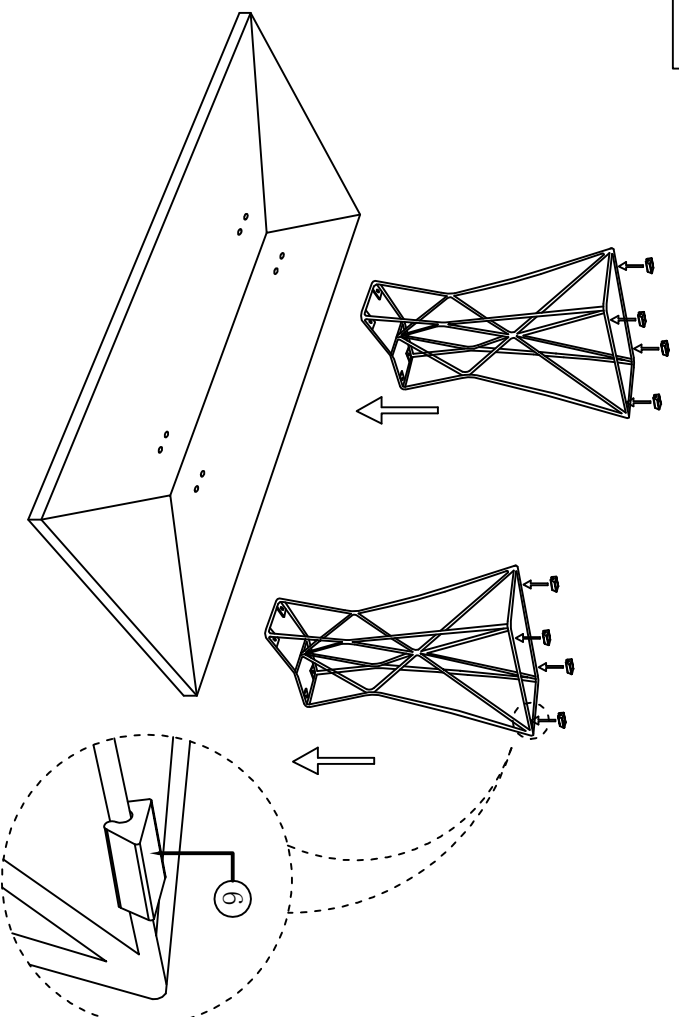


MJN176 Assembly Instructions

1:



③ x8 M6*1"



④ x8 φ 13*6*1



⑤ x1 M4



⑥ x8 28*19*13



③ x8 M6*1"



④ x8 φ 13*6*1



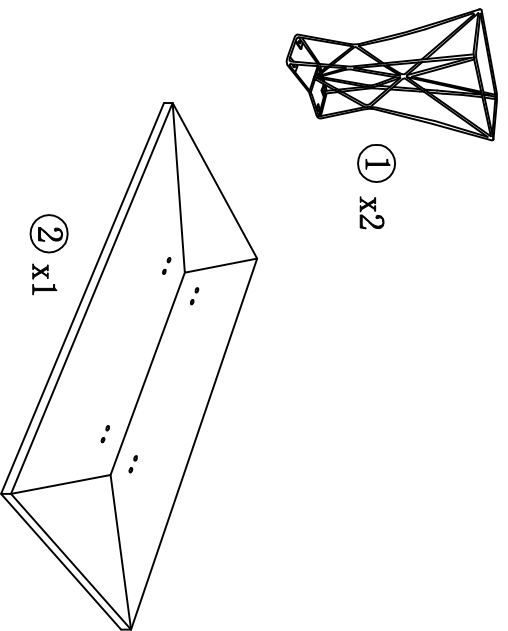
⑤ x1 M4



⑥ x8 28*19*13

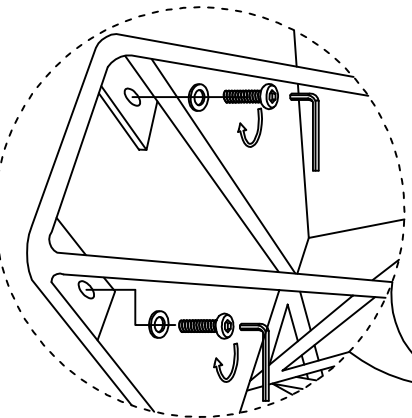
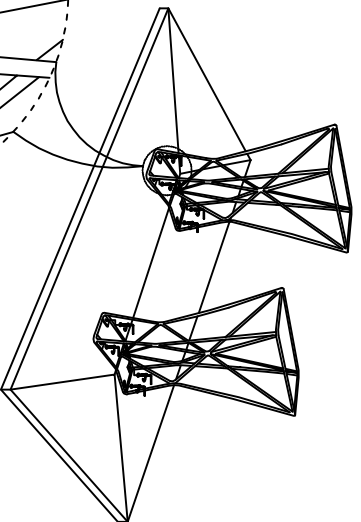
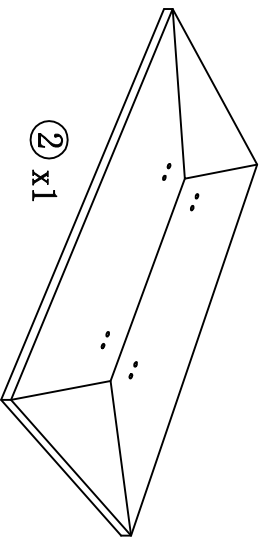
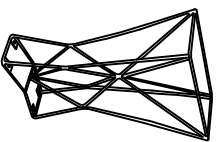


2:

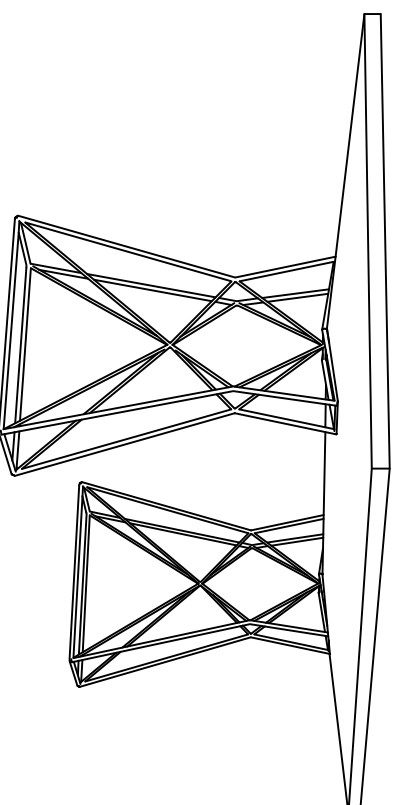


② x1

① x2

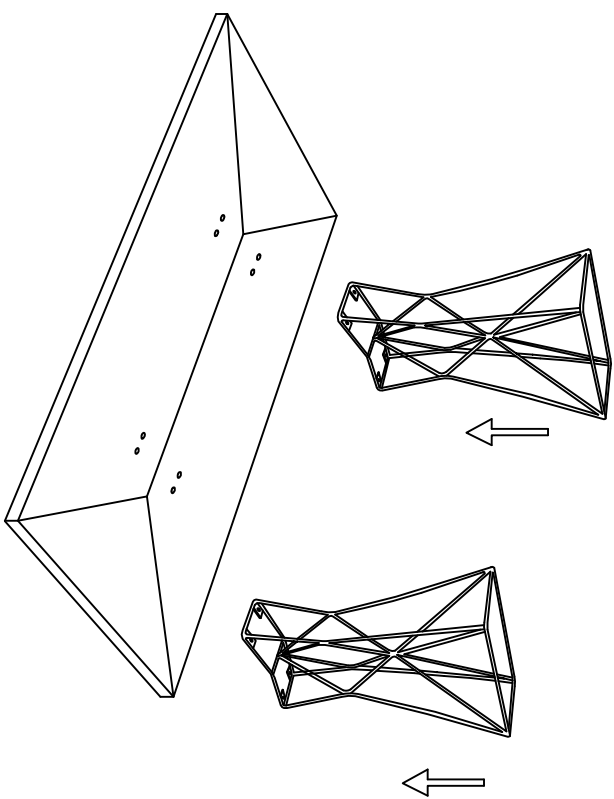


3:



MJC176 Assembly Instructions

1:



③ x8 M6*1"



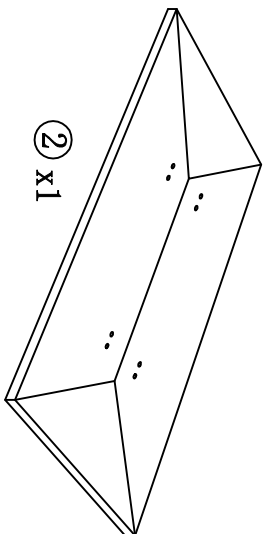
④ x8 ϕ 13*6*1



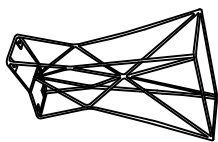
⑤ x1 M4



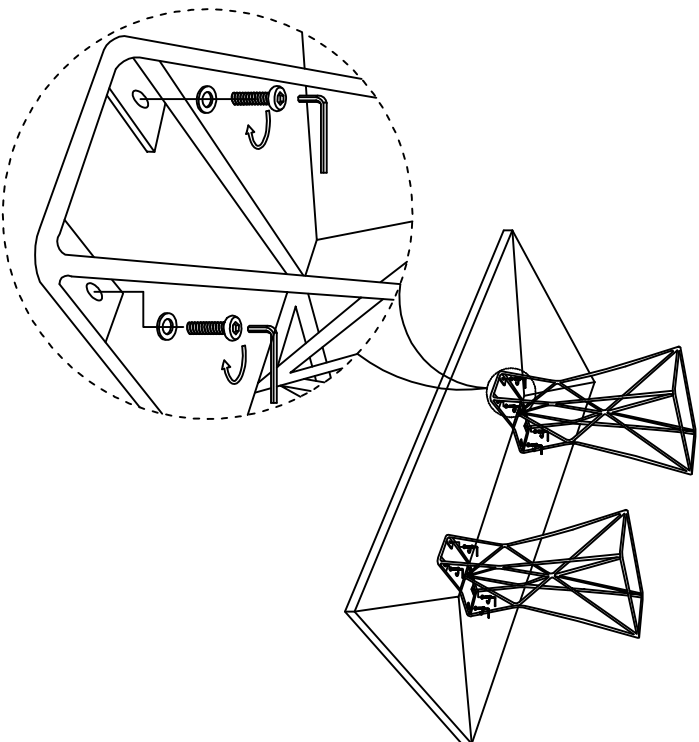
② x1



① x2



2:



3:

