

MD732 Assembly Instructions

Parts

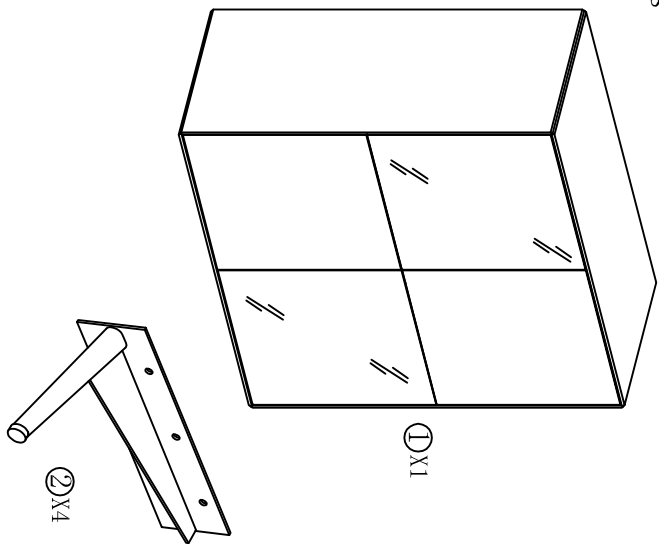
④ X28 M6*20



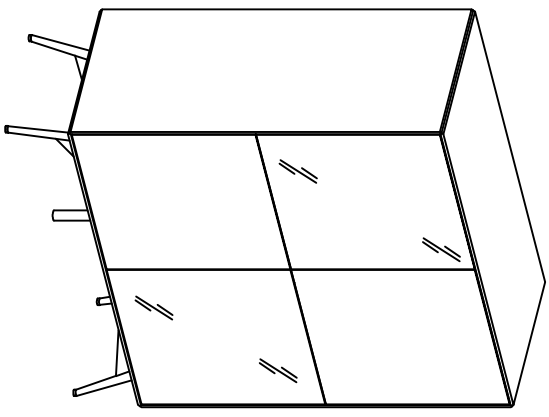
⑤ X28 ϕ 13* ϕ 7*1



⑥ X1 4mm



2:



1:

