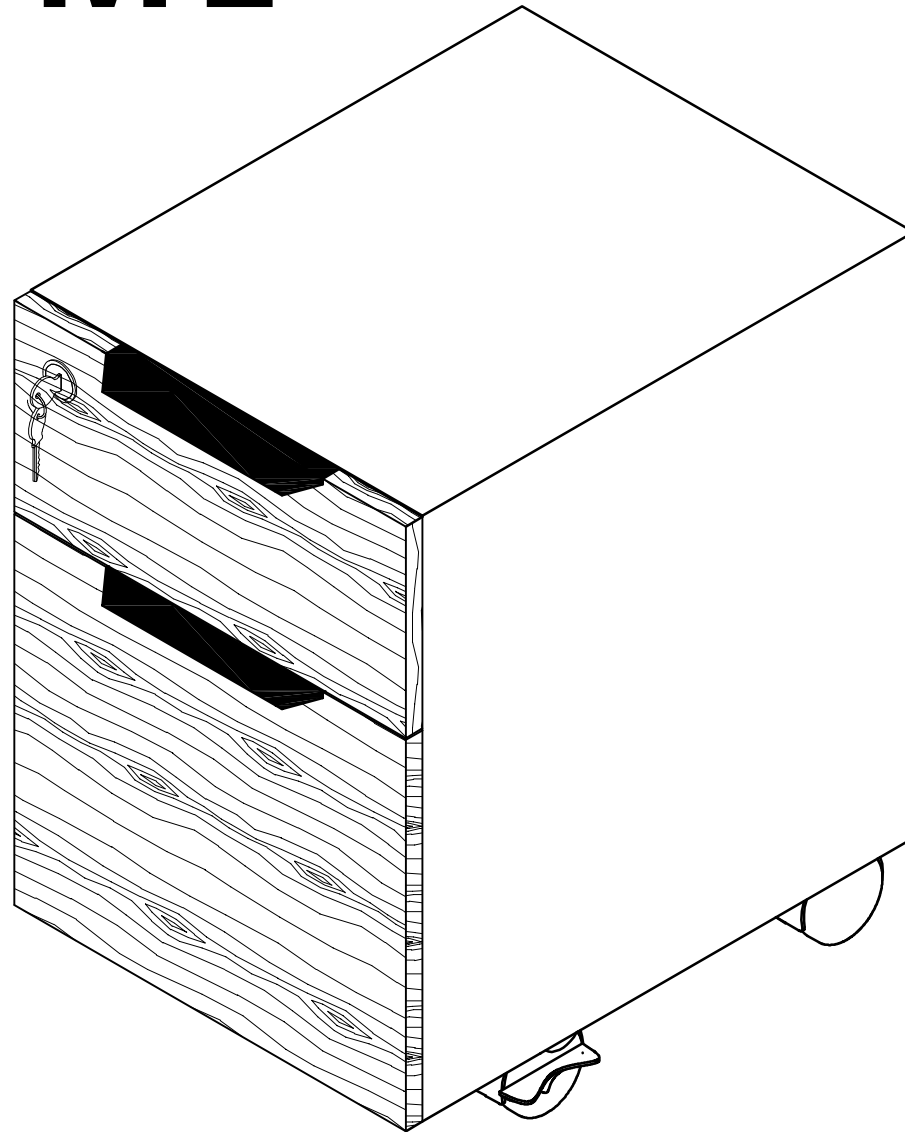


BROOME

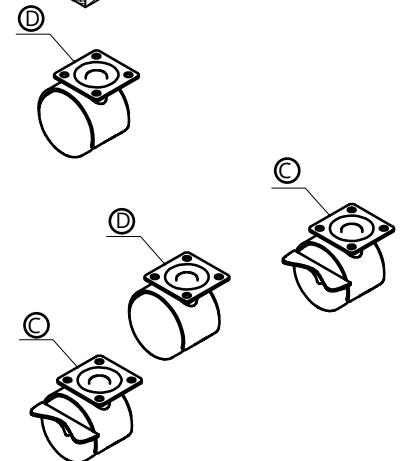
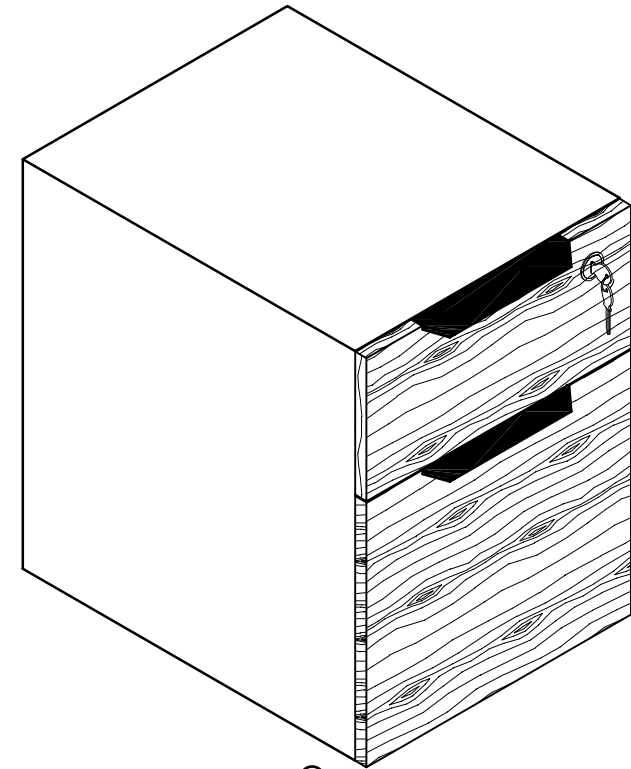
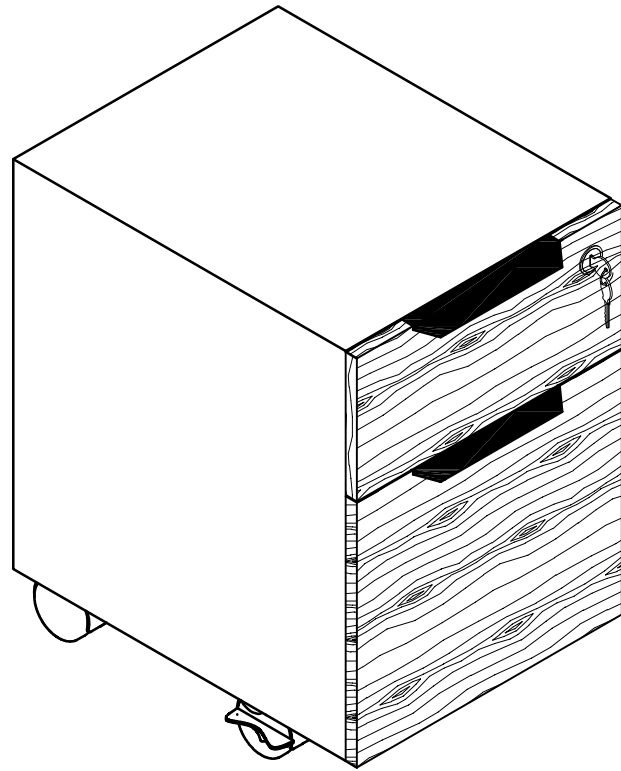


MODLOFT

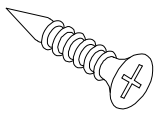


ASSEMBLY INSTRUCTION

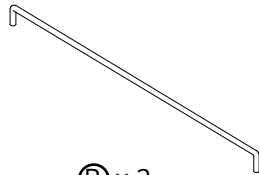
BROOME DE-WA704



HARDWARE

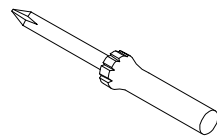


Ⓐ x 20
(M4 x 15)



Ⓑ x 2
(441 x 25 x Ø6)

TOOL





ASSEMBLY INSTRUCTION BROOME DE-WA704

