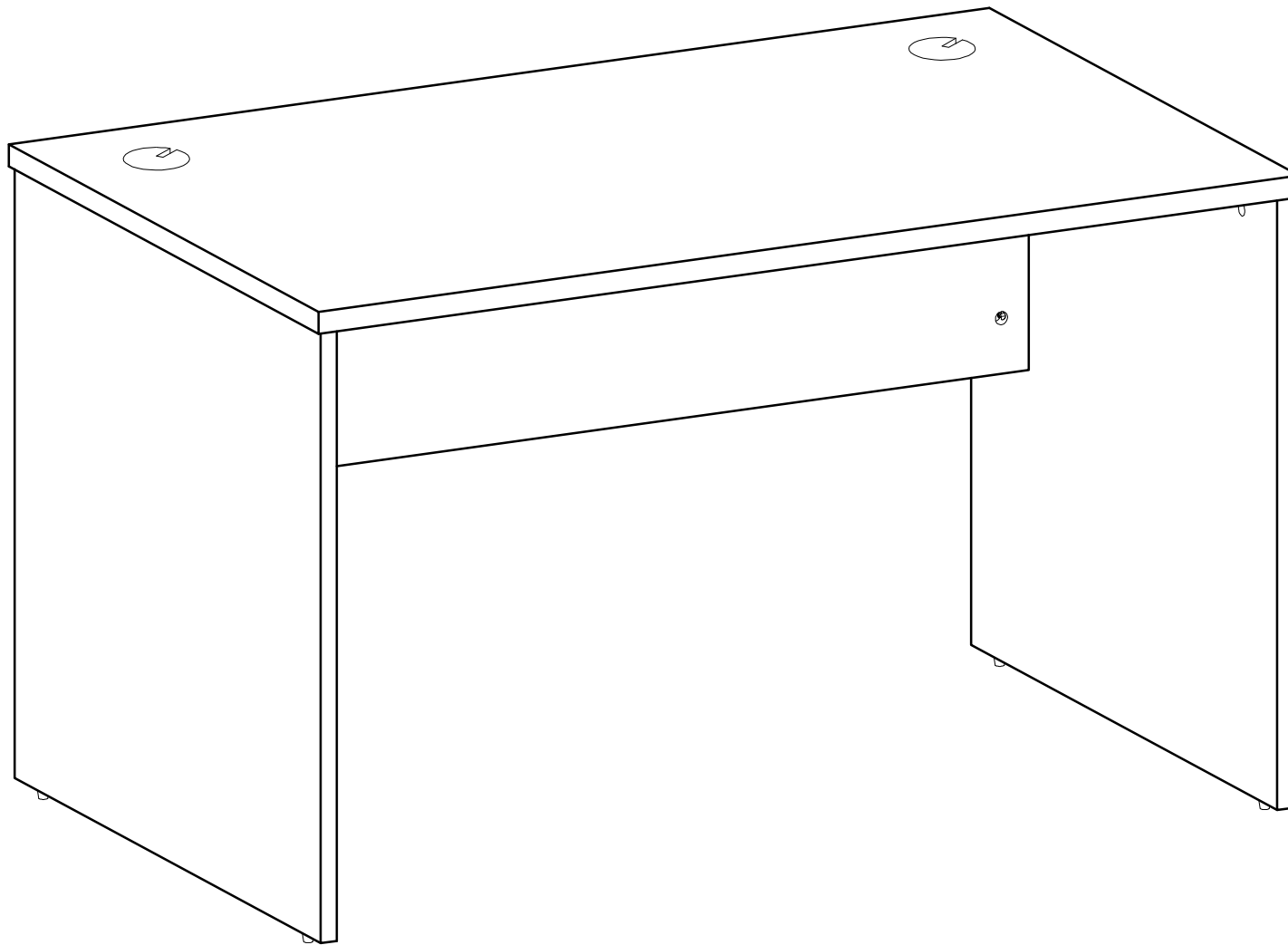


BROOME



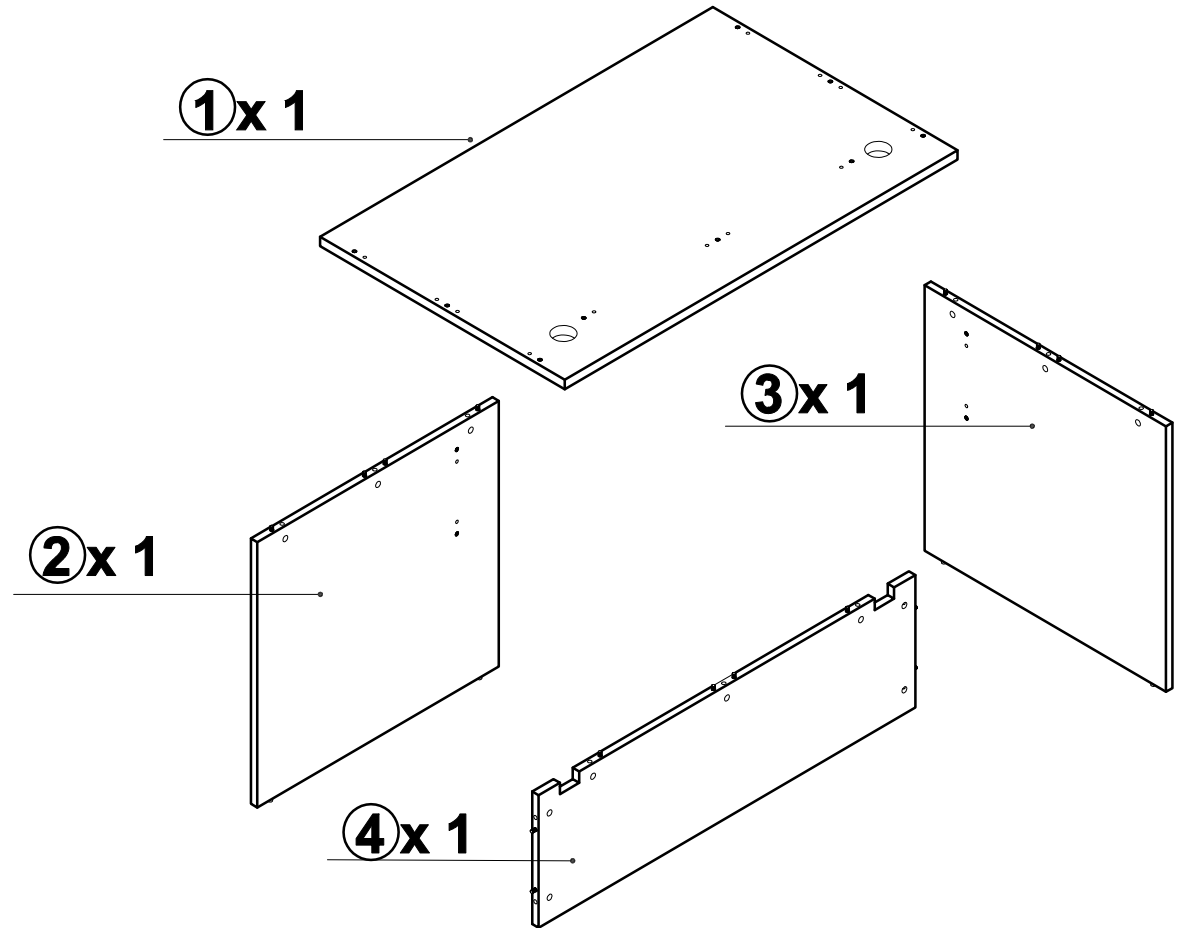
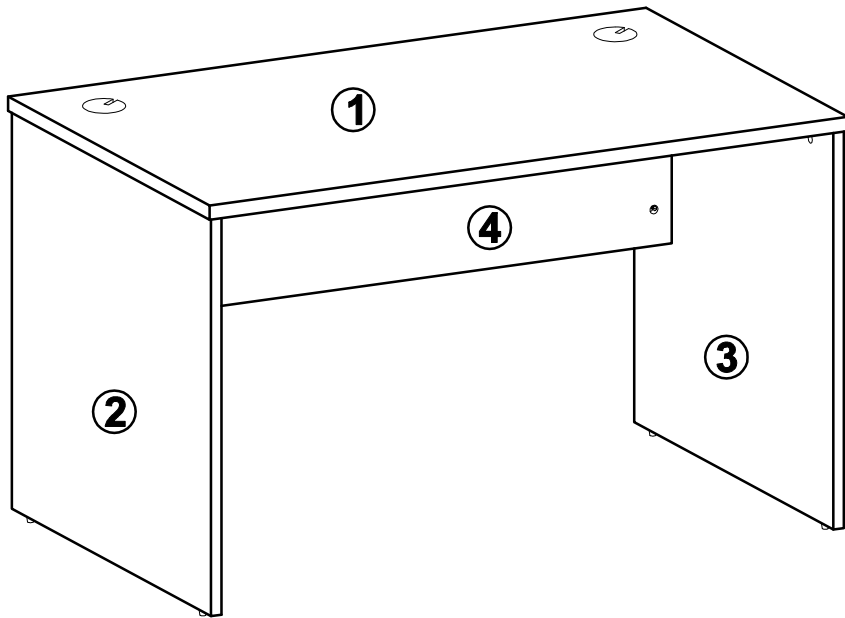
MODLOFT



ASSEMBLY INSTRUCTION

BROOME DE-WA709

PARTS

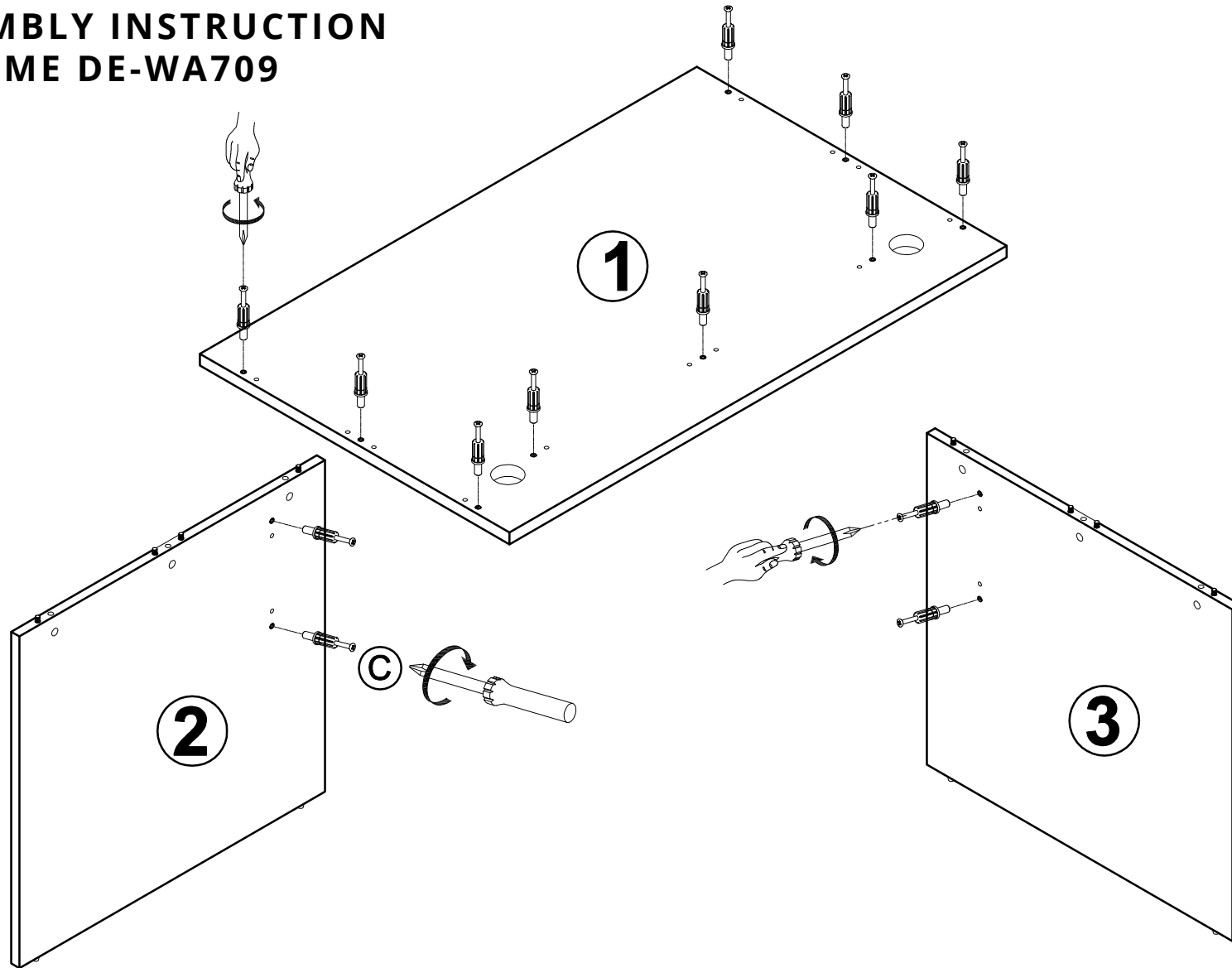





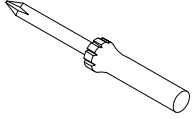


ASSEMBLY INSTRUCTION

BROOME DE-WA709

STEP 1



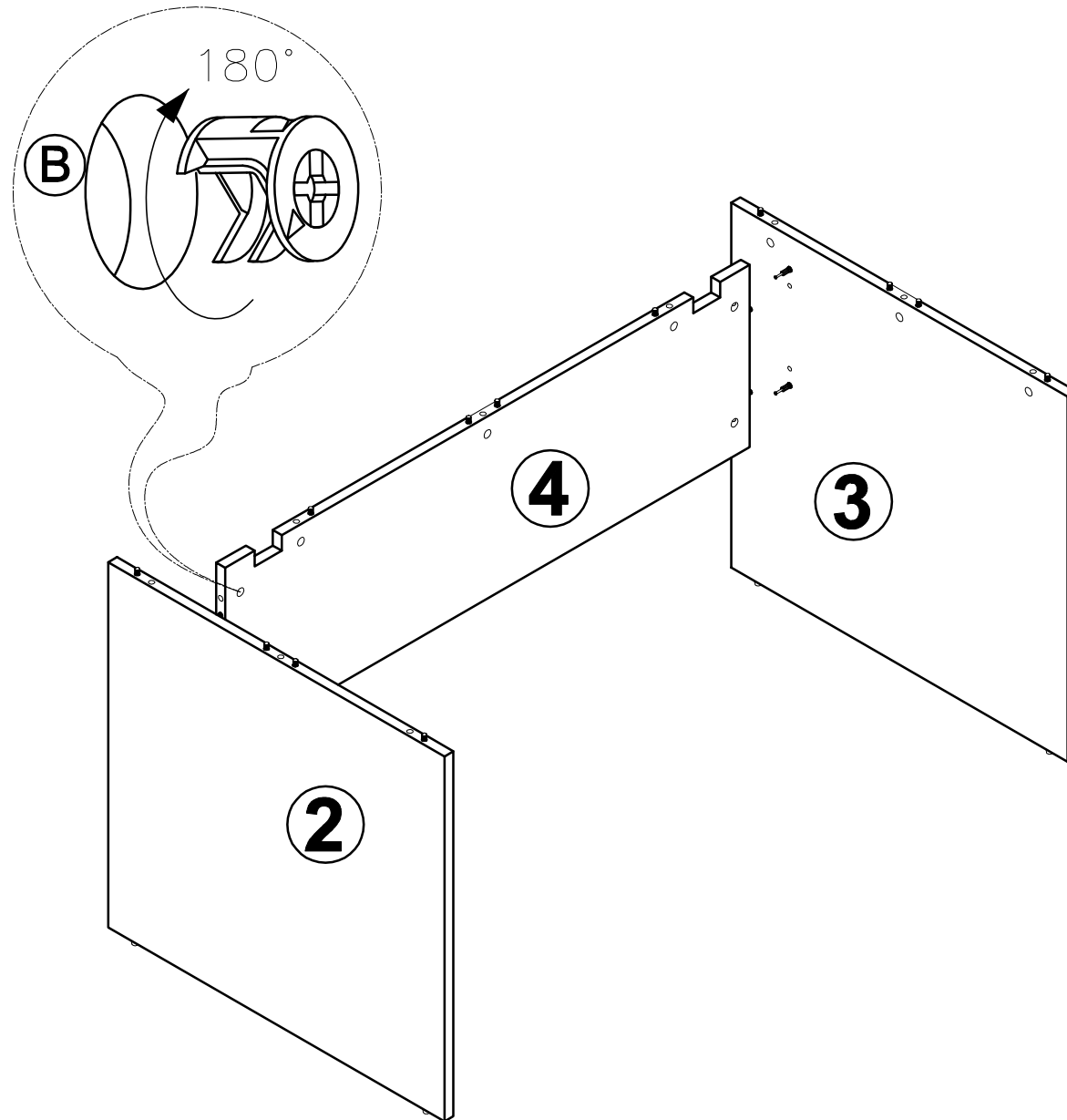
HARDWARE			TOOL
			
(A) x 2	(B) x 13	(C) x 13	



ASSEMBLY INSTRUCTION

BROOME DE-WA709

STEP 2





ASSEMBLY INSTRUCTION
BROOME DE-WA709

STEP 3

